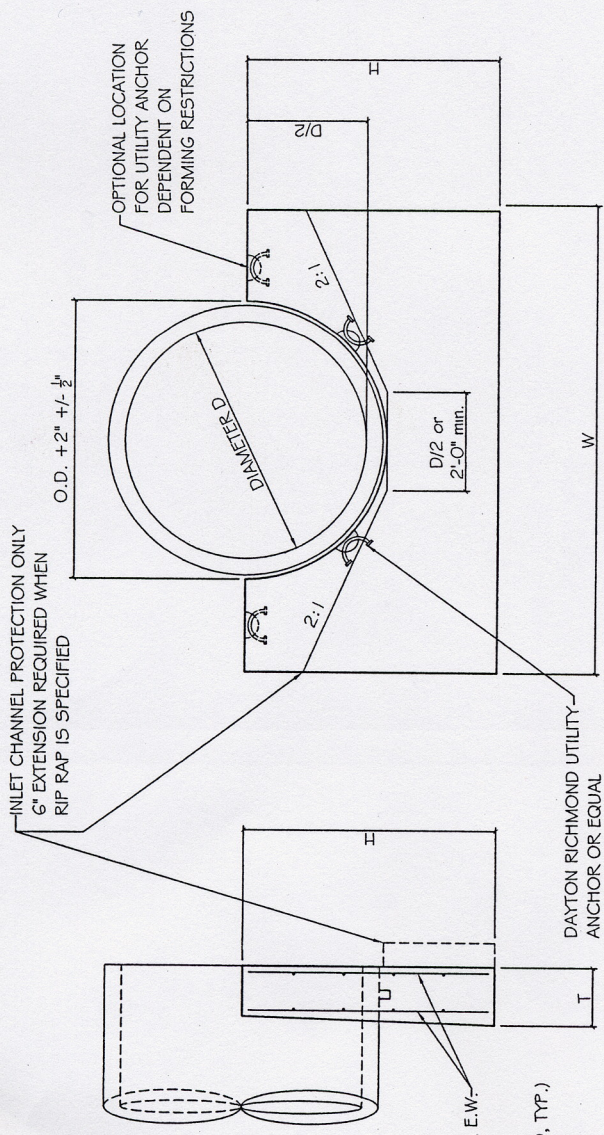


HEADWALL FOR CONCRETE PIPE			
CIRCULAR PIPE			
D	W	H	T
12"	2'-0"	3'-0"	12"
15"	2'-6"	3'-2"	12"
18"	3'-0"	3'-3"	12"
21"	3'-6"	3'-4"	12"
24"	4'-0"	3'-6"	12"
27"	4'-6"	3'-8"	12"
30"	5'-0"	3'-9"	12"
33"	5'-6"	3'-10"	12"
36"	6'-0"	4'-0"	12"
39"	6'-6"	4'-2"	12"
42"	7'-0"	4'-3"	12"
48"	8'-0"	4'-6"	14"
54"	9'-3"	4'-9"	14"
60"	10'-6"	5'-6"	16"
66"	11'-9"	5'-9"	18"
72"	13'-0"	6'-0"	18"

#5 @ 12" O.C., E.W.
EACH FACE
(2" CLR., TYP.)
(EPOXY COATED, TYP.)



PROFILE

FRONT VIEW

STRUCTURAL ENGINEERING

Administrative
 APPROVED AS NOTED
 NOT APPROVED
 In general conformance with design plans and specifications. Does not relieve contractor from responsibility for errors or omissions.

- NOTES:
1. PRECAST CONCRETE: 4,000 P.S.I. @ 28 DAYS, AIR ENTRAINED 6% +/- 2%
 2. CONCRETE QUANTITIES ARE BASED ON HEADWALLS WITHOUT THE 6" EXTENSION WHICH MAY BE REQUIRED WITH INLET CHANNEL PROTECTION.
 3. 2 EACH LIFTERS AS SHOWN FOR D = 30" OR LARGER
 4. 1 EACH LIFTER IN CENTER OF CRADLE FOR D = 27" OR SMALLER
 5. GROUT TO BE NON-SHRINK GROUT AS SPECIFIED BY ODOT - BY OTHERS.
 6. OPENING TO BE FILLED WITH GROUT AFTER INSTALLATION BY OTHERS.

REVISED 7-6-2006

PRECAST CONCRETE O.D.O.T. STANDARD
 HW-2.2m HEADWALL DETAILS



UNITED PRECAST INC.
 P.O. BOX 991
 MT. VERNON, OHIO 43050
 TEL: (740) 393-1121
 FAX: (740) 392-9708