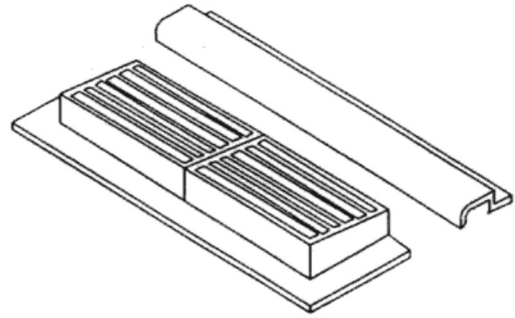
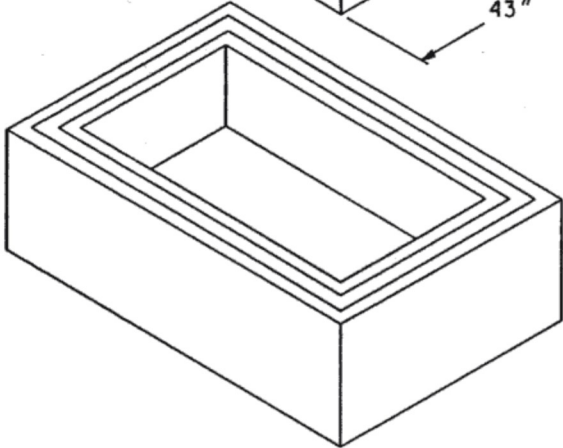


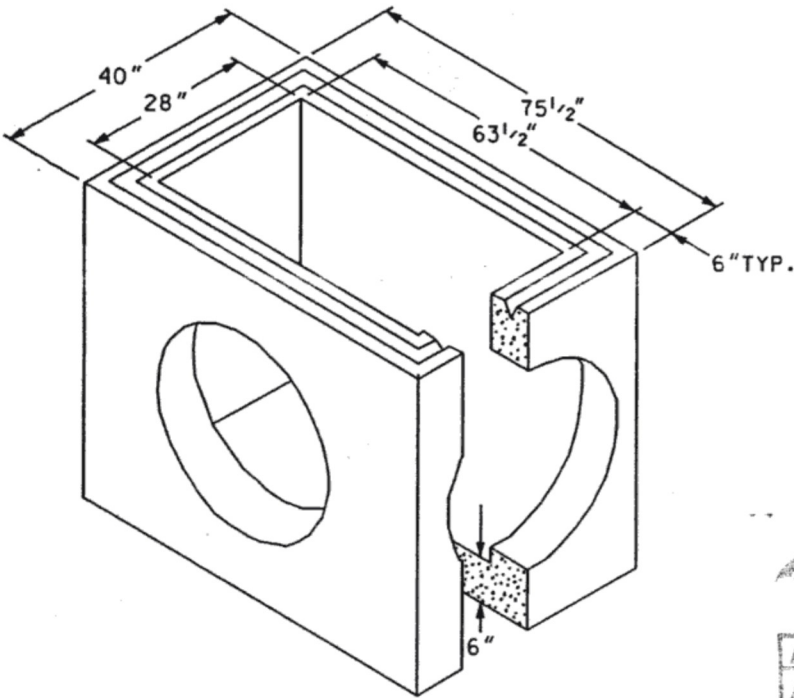
NEENAH R-3288
OR EQUAL



TOP SLAB AVAILABLE HEIGHTS		
STEEL BEAM	A	WEIGHT
S6X12.5	15"	3,500 lbs



AVAILABLE HEIGHTS	
RISERS	WEIGHT
18"	1,940 lbs
36"	3,880 lbs
48"	5,173 lbs
60"	6,466 lbs



AVAILABLE HEIGHTS	
BASES	WEIGHT
30"	4,157 lbs
36"	4,804 lbs
42"	5,549 lbs
48"	6,096 lbs
54"	6,643 lbs
60"	7,190 lbs
66"	7,737 lbs

STRUCTURAL ENGINEERING

Administrator

APPROVED	DR	5/2/06
APPROVED AS NOTED		
NOT APPROVED		

for general conformance with design plans and specifications only. Does not relieve contractor from responsibility for errors or omissions

GENERAL NOTES:

1. CONCRETE 4000 PSI
2. REINFORCEMENT PER ASTM C913 USING EPOXY COATED REBAR PER ASTM A775
3. DIMENSIONAL TOLERANCE = $\pm 1/16"$

AVAILABLE MARKETS: OH

SHERMANDIXIE
NASHVILLE, TN - KNOXVILLE, TN - ELIZABETHTOWN, KY - DAYTON, OH
FRANKLIN, TN - CHATTANOOGA, TN - LEXINGTON, KY - CULLMAN, AL

PH# 1-800-737-0707 DWG# OH-D13-DOT

DATE: 02/16/06 SHEET# 1 OF 1

(000T) CATCH BASIN TYPE 3

SCALE: NTS