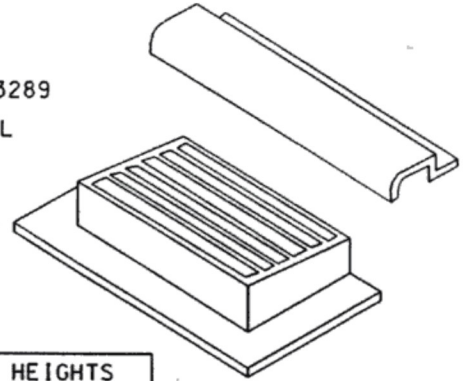
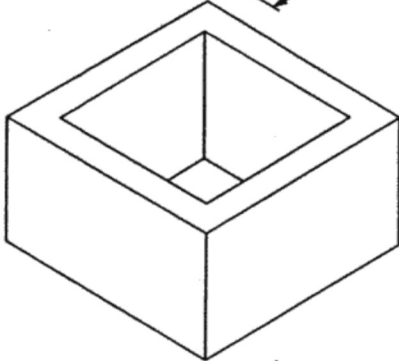


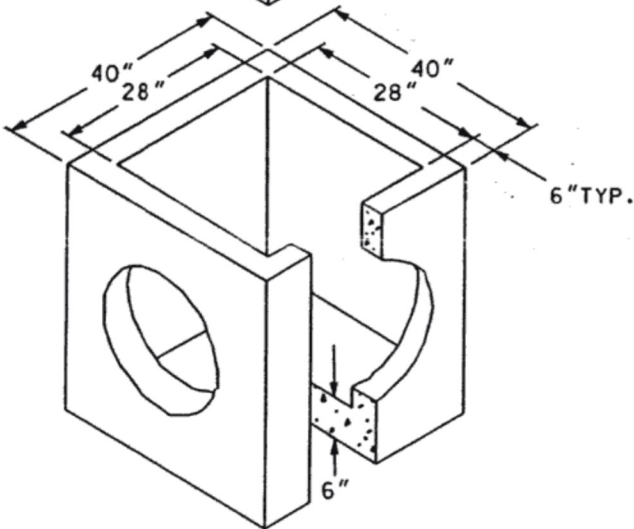
NEENAH R-3289
OR EQUAL



TOP SLAB AVAILABLE HEIGHTS		
STEEL BEAM	A	WEIGHT
S6X12.5	15"	1,100 lbs



AVAILABLE HEIGHTS	
RISERS	WEIGHT
18"	1,278 lbs
36"	2,556 lbs



AVAILABLE HEIGHTS	
BASES	WEIGHT
24"	2,114 lbs
30"	2,534 lbs
36"	2,954 lbs
42"	3,379 lbs
48"	3,876 lbs
54"	4,364 lbs
60"	4,854 lbs

STRUCTURAL ENGINEERING

Administrator

APPROVED	DR	5/2/06
APPROVED AS NOTED		
NOT APPROVED		

for general conformance with design plans and specifications only. Does not relieve contractor from responsibility for errors or omissions

GENERAL NOTES:

1. CONCRETE 4000 PSI
2. REINFORCEMENT PER ASTM C913 USING EPOXY COATED REBAR PER ASTM A775
3. DIMENSIONAL TOLERANCE = $\frac{1}{16}$ " \pm

AVAILABLE MARKETS: OH

★ SHERMANDIXIE	
NASHVILLE, TN - KNOXVILLE, TN - ELIZABETHTOWN, KY - DAYTON, OH FRANKLIN, TN - CHATTANOOGA, TN - LEXINGTON, KY - CULLMAN, AL	
PH* 1-800-737-0707	DWG# OH-012-DOT
DATE: 02/16/06	SHEET# 1 OF 1

(000T) CATCH BASIN TYPE 3A

SCALE: NTS