

HEADWALLS ARE STAMPED FOR EACH SIZE AND TYPE OF PIPE.

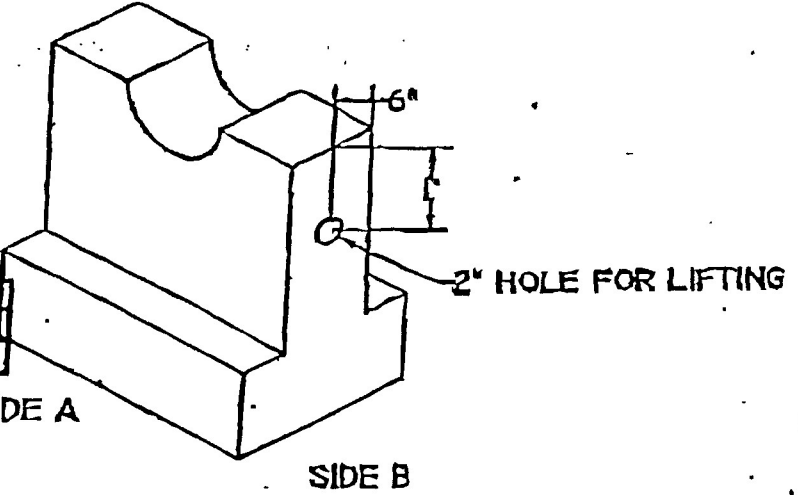
STRUCTURAL ENGINEERING

Tim Keller

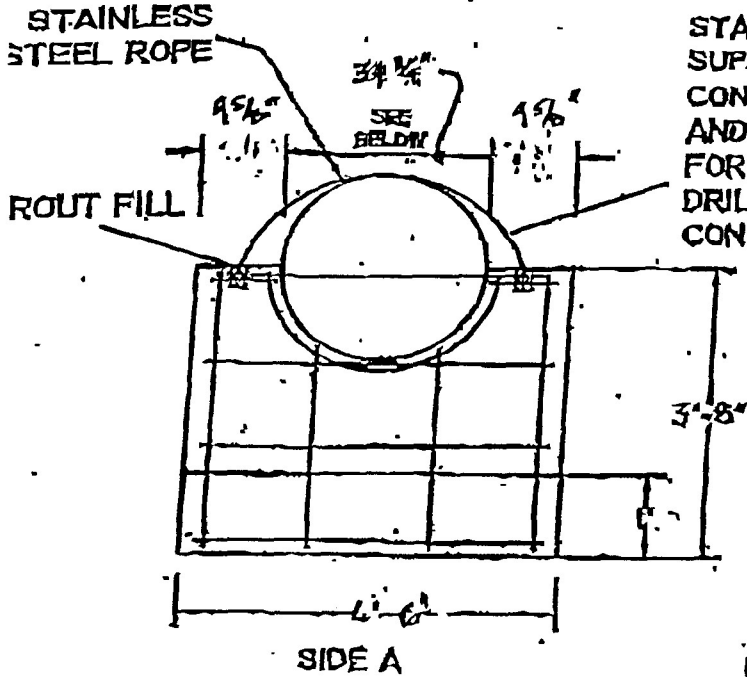
Administrator

ACCEPTED	
ACCEPTED AS NOTED	BG
NOT ACCEPTED	

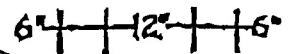
For general conformance with design plans and specifications only. Does not relieve contractor from responsibility for errors or omissions.



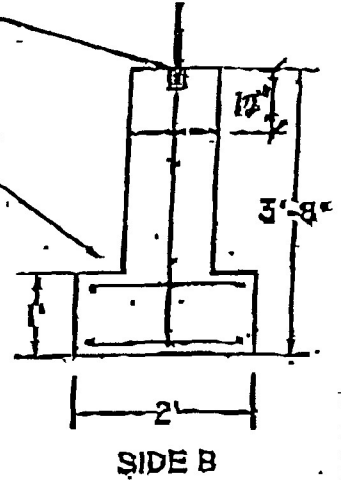
87 FEB 15 9:55



STAINLESS STEEL WIRE ROPE SUPPLIED AND INSTALLED BY CONTRACTOR FOR METAL AND PLASTIC PIPE. HOLES FOR WIRE ROPE TO BE FIELD DRILLED OR CORED BY CONTRACTOR.



TOP OF FOOTER TO BE LIP FOR SLAB SUPPORT



ODOT

EPOXY COATED 5/8" #6 REBAR 12" C/C EACHWAY
EXTRA STEEL AROUND HOLE OR
A615 OR EQUAL REINFORCEMENT

FOR 27" RCP

LIFTING HOLES AND ANCHORS TO BE FILLED WITH NON SHRINK GROUT BY CONTRACTOR

SIZE OF OPENING IS 4" +/- OD OF PIPE.

HW-48 FOR 27" PIPE

HANSON PIPE & PRECAST

SIDNEY, OHIO

PHONE 937 492-9119 FAX 937 492-8434