

HEADWALLS ARE STAMPED FOR EACH SIZE AND TYPE OF PIPE.

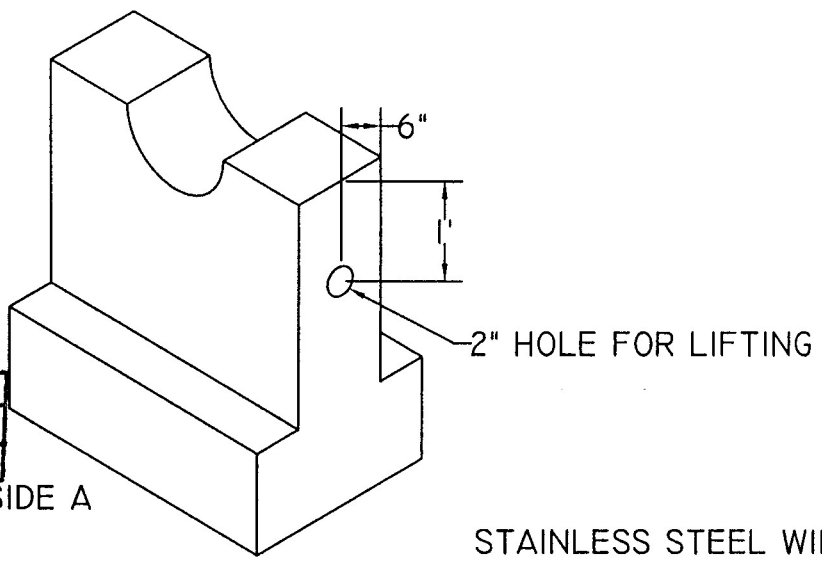
STRUCTURAL ENGINEERING

Administrator

BMG

APPROVED:	
APPROVED:	
NOTED:	

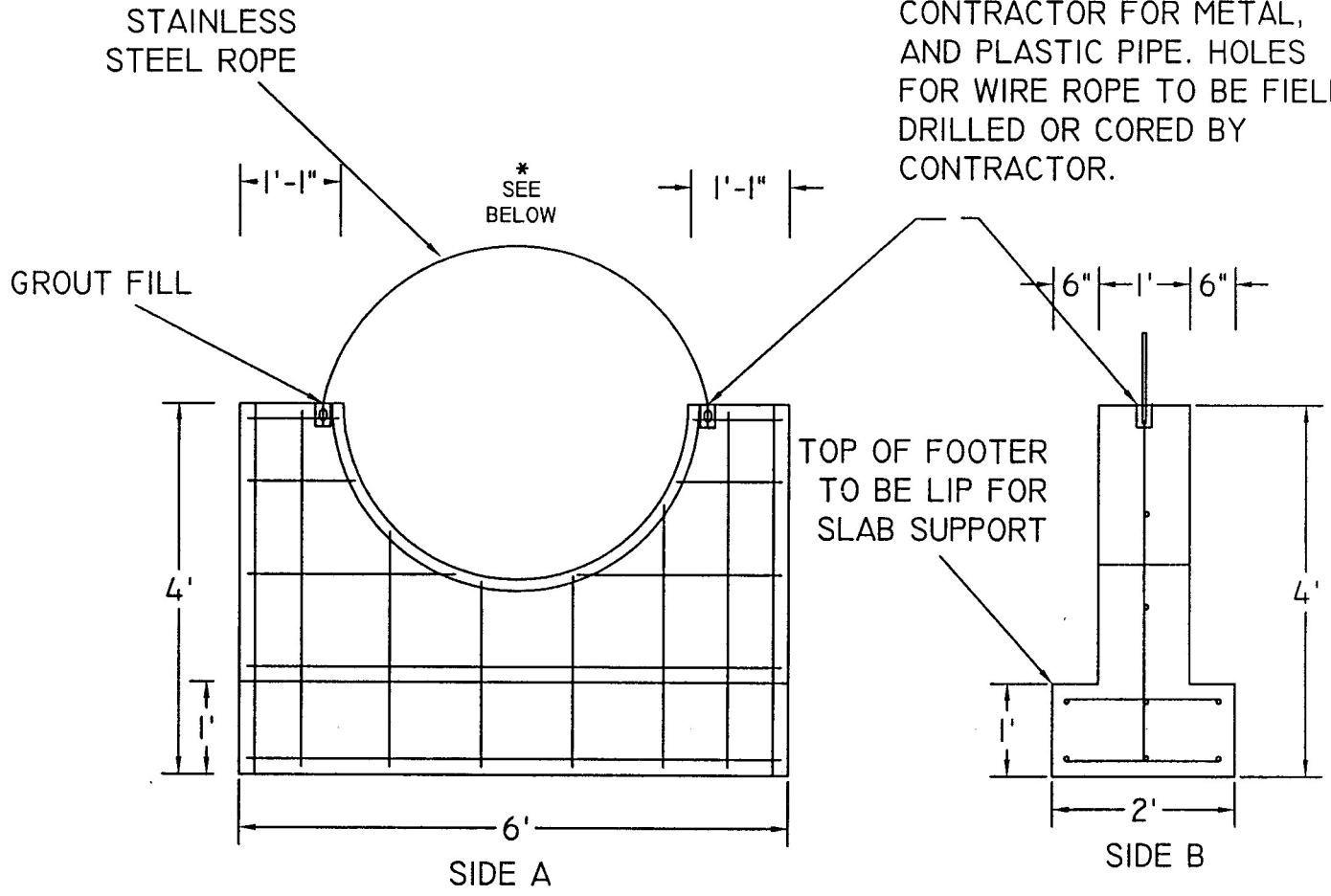
for general construction with design plans and specifications only. Does not relieve contractor from responsibility for errors or omissions



SIDE A

SIDE B

STAINLESS STEEL WIRE ROPE SUPPLIED AND INSTALLED BY CONTRACTOR FOR METAL, AND PLASTIC PIPE. HOLES FOR WIRE ROPE TO BE FIELD DRILLED OR CORED BY CONTRACTOR.



EPOXY COATED 5/8" #5 REBAR 12" C/C EACHWAY  
EXTRA STEEL AROUND HOLE OR  
A615 OR EQUAL REINFORCEMENT

LIFTING HOLES AND ANCHORS TO BE FILLED WITH NON SHRINK GROUT BY CONTRACTOR

SIZE OF OPENING IS 4" +/- OD OF PIPE.	HW-4B FOR 36"	HANSON PIPE & PRECAST
PRINT BY:	PRINT #	SIDNEY, OHIO
		PHONE 937 492-9119 FAX 937 492-8434