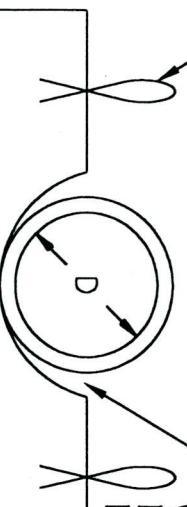
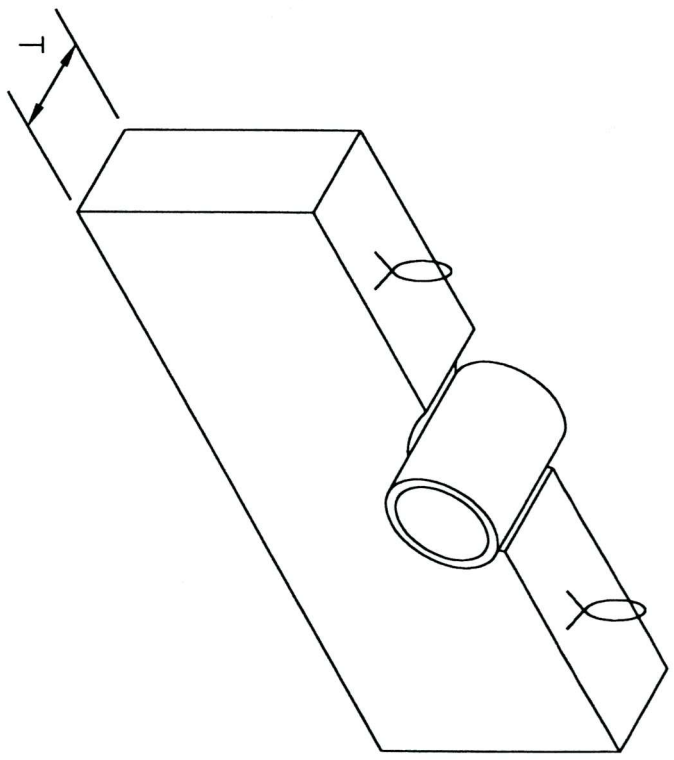
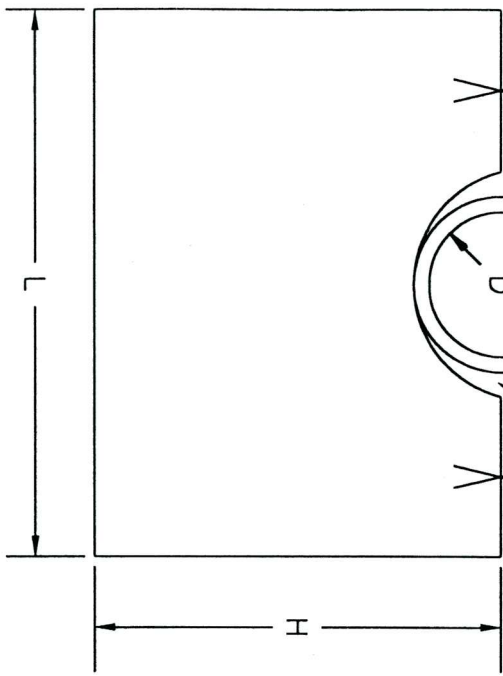


3/8" GALVANIZED AIRCRAFT
CABLE (7x19) 14,400 LBS.
BREAKING STRENGTH



TO BE GROUTED
IN FIELD BY
CONTRACTOR
WITH AN ODOT APPROVED
NON-SHRINK MORTAR
MEETING 705.22



KNOCKOUT SIZE TO BE 1" OR 25.4 mm BIGGER THAN
THE O.D. OF THE PIPE.

SEE NEXT PAGE FOR SIZES

L LINDSAY CONCRETE
PRODUCTS CO., INC.

STANDARD HW4B HEADWALL

DRAWN BY: RJS
DWG. NO.: LCCB0012
DATE: 2/13/98



CERTIFIED

PLANT