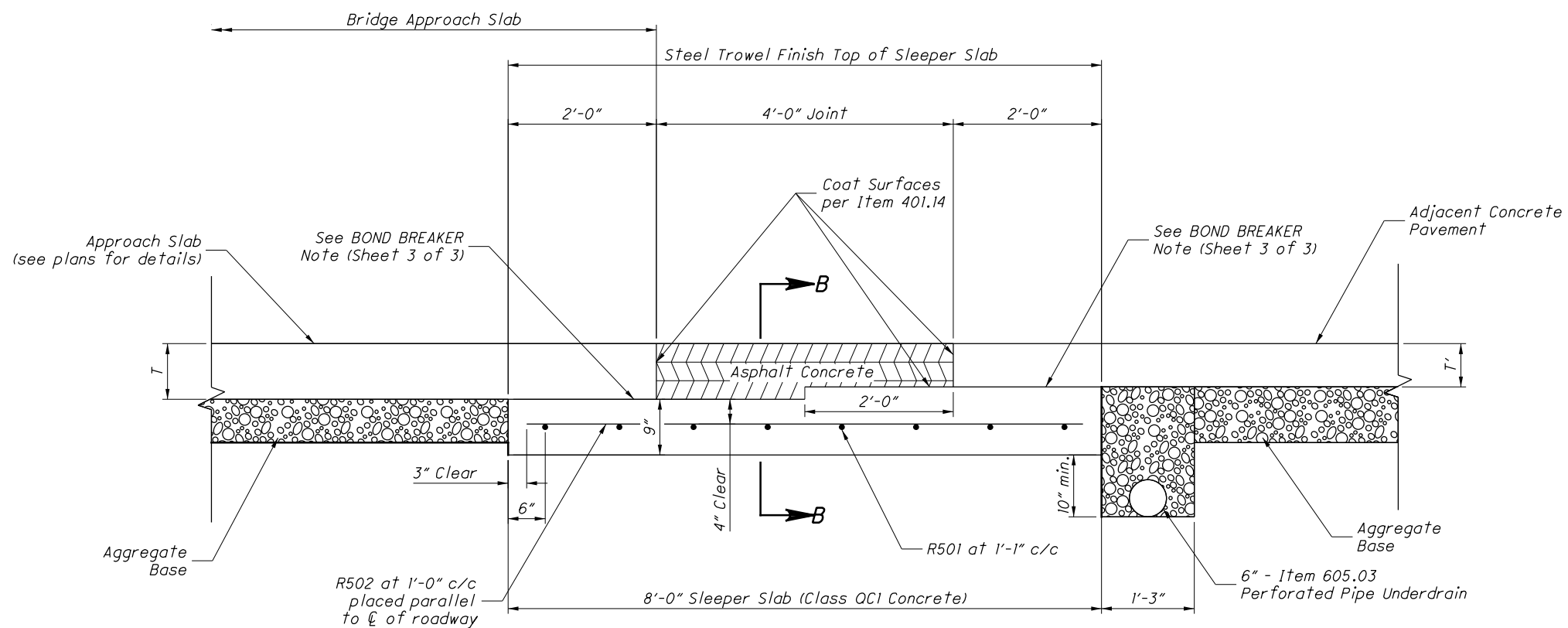


PLAN VIEW
PRESSURE RELIEF JOINT - TYPE A
 AT NEW APPROACH SLAB
 (Concrete Shoulders shown)

REINFORCING STEEL LIST			
Mark	Shape	Number	Length
R501 \square	Straight	8	$S - 0.5'$
R502	Straight	$N = \frac{S}{1'}$	$\frac{8'}{\cos \theta}$

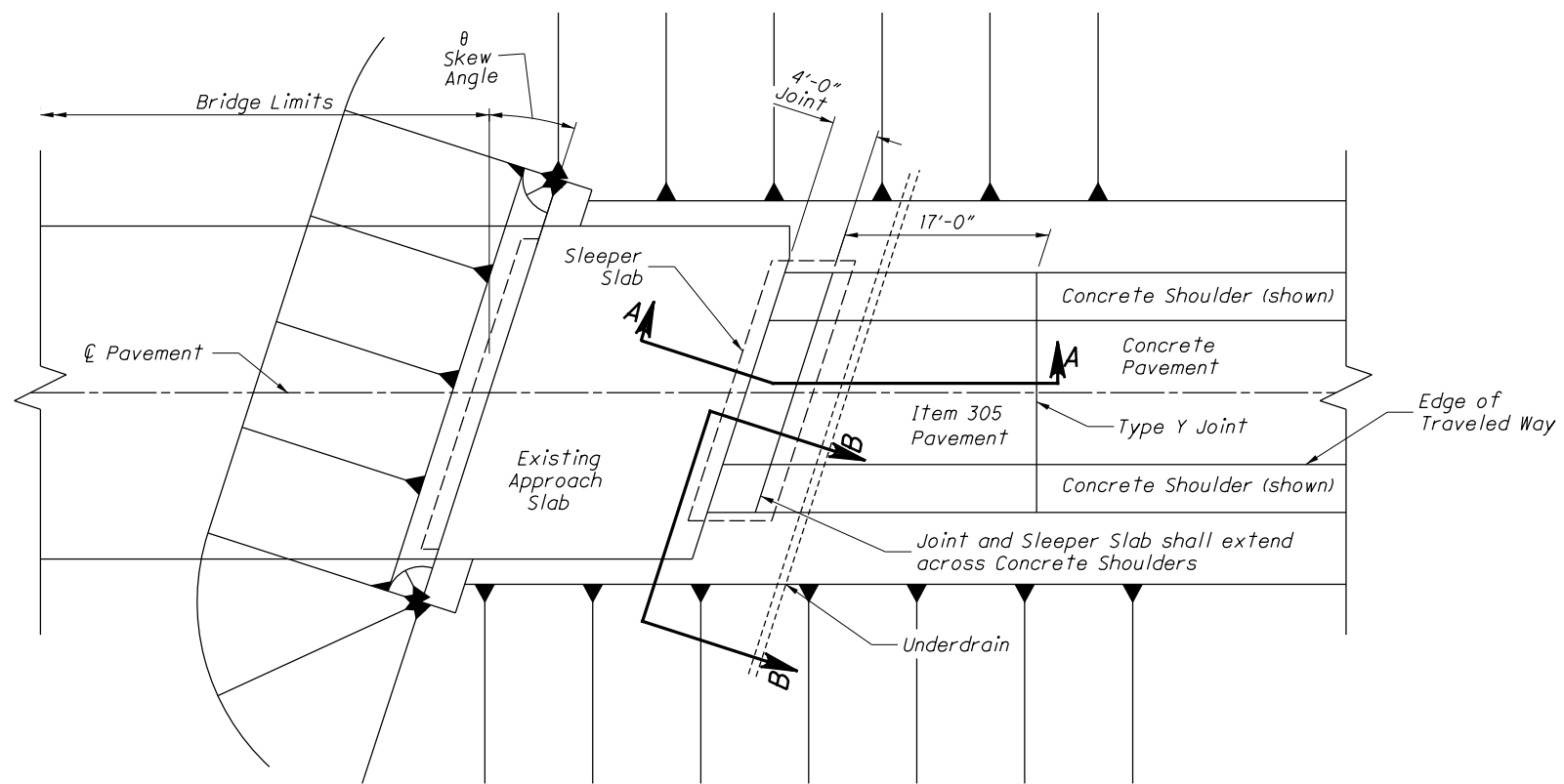
S = Length of sleeper slab in feet

\square R501 bars may be furnished in segments with a 1'-7" bar lap between segments.



SECTION A-A AT NEW APPROACH SLAB

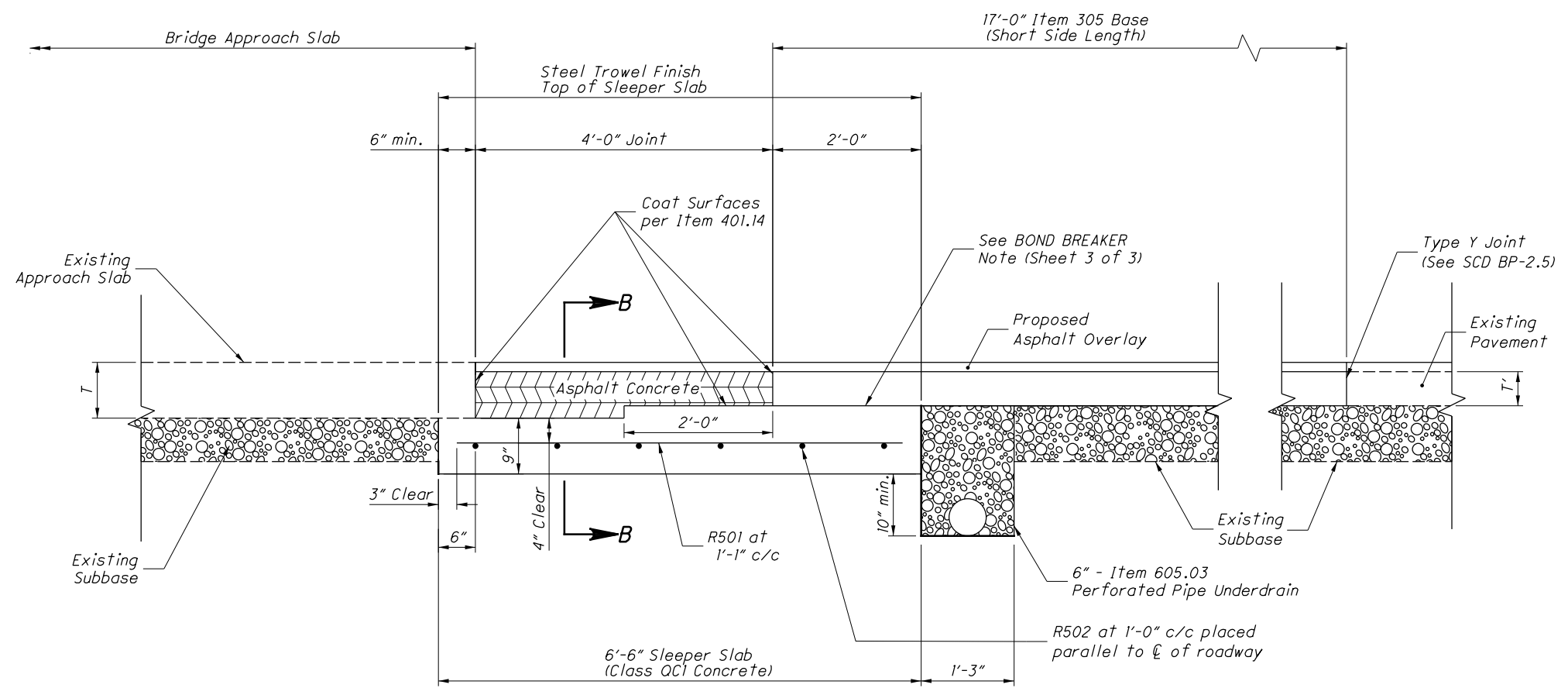
T = Thickness of Approach Slab as Shown in the Plans
 T' = Design Pavement Thickness as Shown in The Plans.



PLAN VIEW
PRESSURE RELIEF JOINT - TYPE A
AT EXISTING APPROACH SLAB
 (Concrete Shoulders shown)

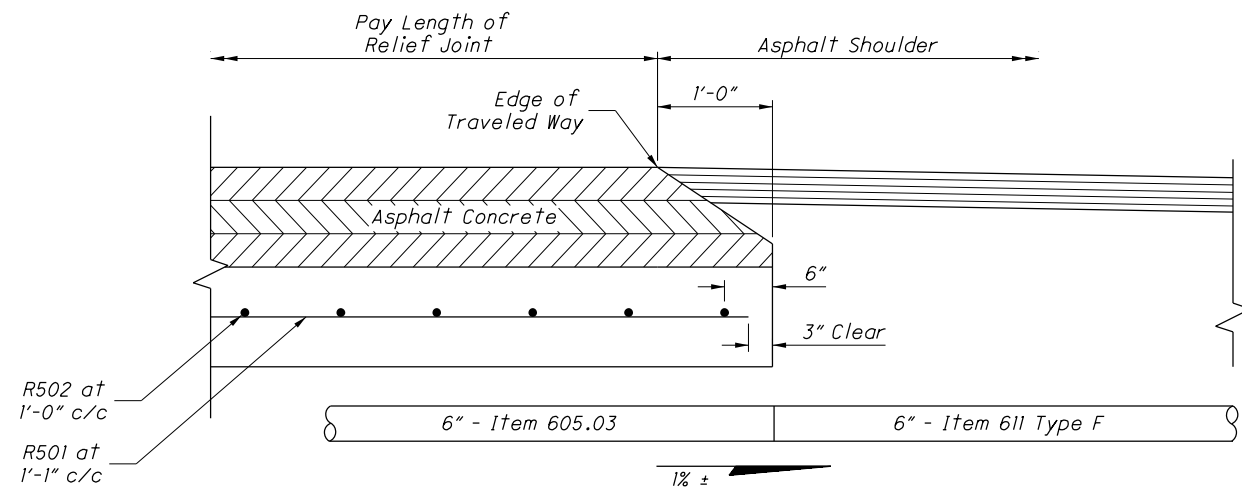
REINFORCING STEEL LIST			
Mark	Shape	Number	Length
R501	□	6	$S - 0.5'$
R502	Straight	$N = \frac{S}{1'}$	$\frac{6'}{\cos \theta}$

S = Length of sleeper slab in feet
 □ R501 bars may be furnished in segments with a 1'-7" bar lap between segments.

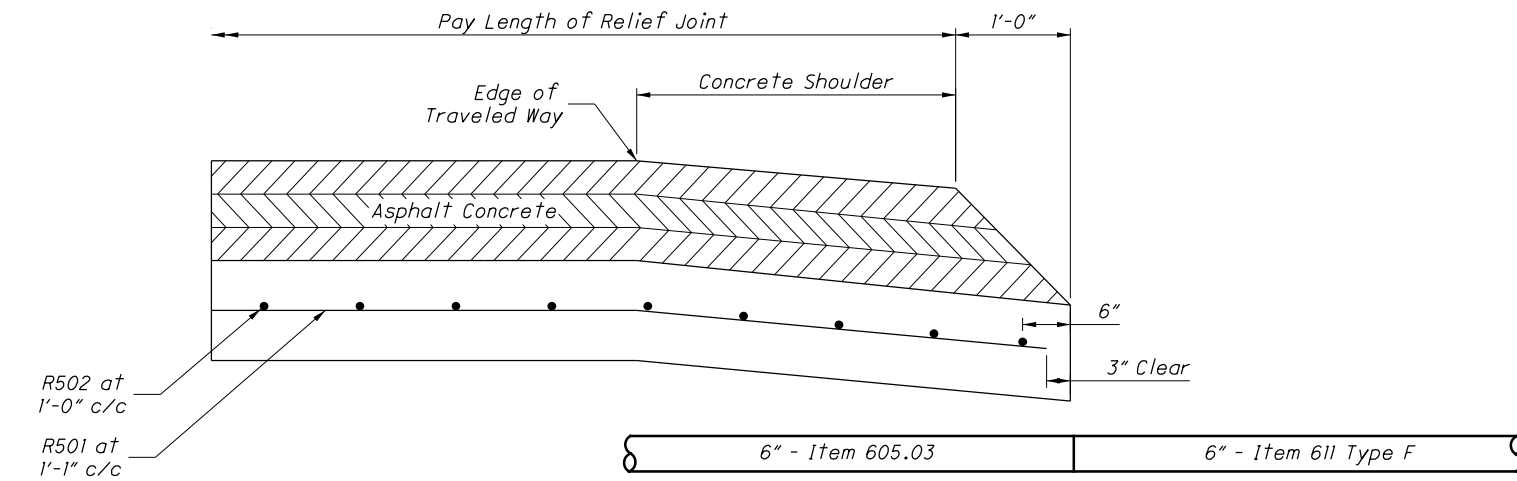


SECTION A-A AT EXISTING APPROACH SLAB

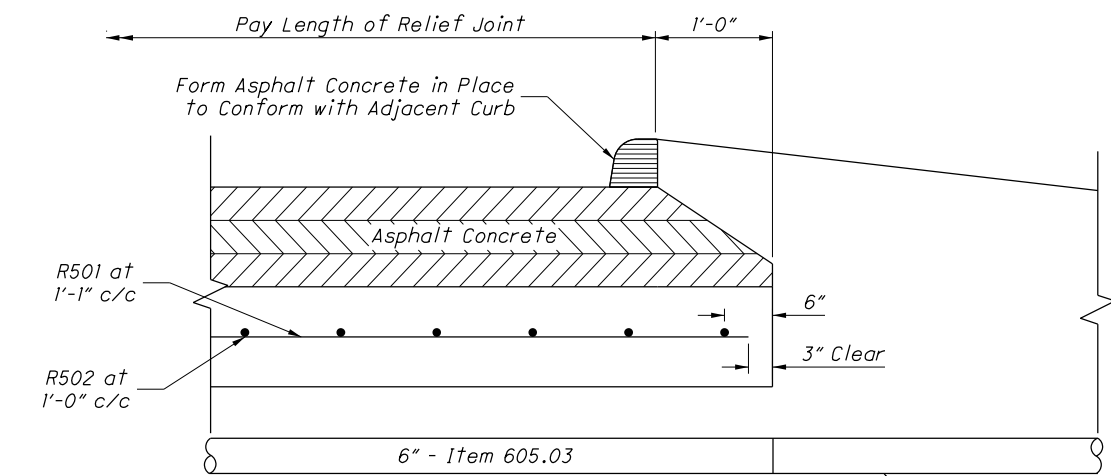
T = Thickness of Approach Slab as Shown in the Plans
 T' = Design Pavement Thickness as Shown in The Plans.



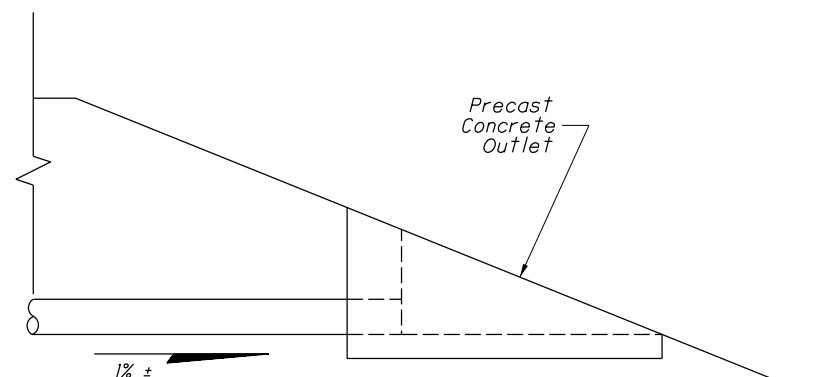
SECTION B-B
(WITH ASPHALT SHOULDERS)



SECTION B-B
(WITH CONCRETE SHOULDERS)



SECTION B-B
(WITH CURB)
(Showing an Underdrain Outlet
Through the Embankment)



NOTES

APPROACH SLAB PRESSURE RELIEF JOINTS: Relief joints are to be provided regardless of abutment design at all bridge approaches where approach pavement is rigid, or composite consisting of a rigid base.

ASPHALT CONCRETE: Compact the asphalt concrete in equal lifts not exceeding 3" with compaction equipment as approved by the Engineer. Use Item 441 Asphalt Concrete Intermediate Course, Type 2 (448), Item 442 Asphalt Concrete Intermediate Course, 19 mm (448), or Item 442 Asphalt Concrete Intermediate Course, 12.5 mm (448).

ITEM 305 BASE: Shall be constructed in accordance with SCD BP-2.1 & BP-2.2. Longitudinal joints shall be placed in the same location and in the same alignment as the longitudinal joints in the existing pavement.

BOND BREAKER: A bond breaker consisting of two 4' sheets of clear or opaque polyethylene film, Item 705.06, shall be centered above the joint between the subbase and the sleeper slab. Care shall be taken in the area beneath the polyethylene film to ensure the surface of the subbase is finished smooth and is flush with or slightly higher than the surface of the sleeper slab. The film shall have a nominal thickness of 4 mils.

UNDERDRAIN: A perforated underdrain shall be placed as shown. It shall extend from edge to edge of the sleeper slab and be outletted as shown on the plan, either to a longitudinal underdrain, a catch basin, or through the embankment or ditch foreslope. For additional information, see SCD DM-1.2.

PAYMENT: Measurement of the pressure relief joint for payment purposes shall be along the centerline of the Sleeper Slab 1) between the outside edges of concrete shoulders, 2) between the backs of curb, and 3) between the edges of the traveled way when asphalt shoulders are used. Payment shall be per Linear Foot of Item Special - Pressure Relief Joint, Type A and shall include saw cutting & removal of existing pavement, Items 305 and 441 or 442, and all labor, materials and incidentals needed to construct the joint as shown, except for the pipe underdrain. The underdrains shall be paid for per Linear Foot of Item 605 - 6" Shallow Pipe Underdrain, Item 707.31 Type CP, or 707.41. The outlet pipe shall be paid for per Linear Foot Item 611 - 6" Conduit, Type F for Underdrain Outlets. The precast concrete outlet shall be paid for per each of Item 611 - Precast Reinforced Concrete Outlet.