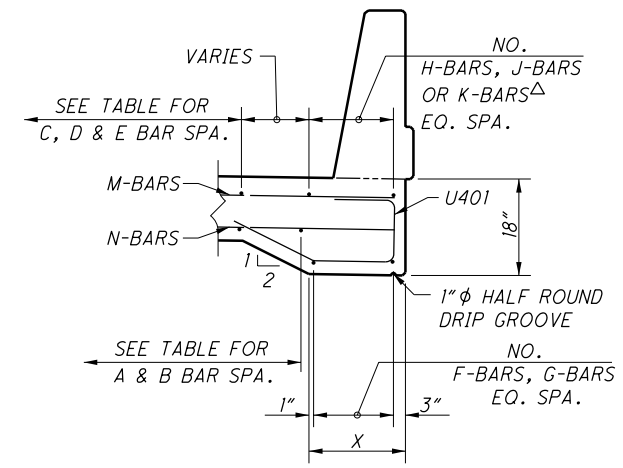
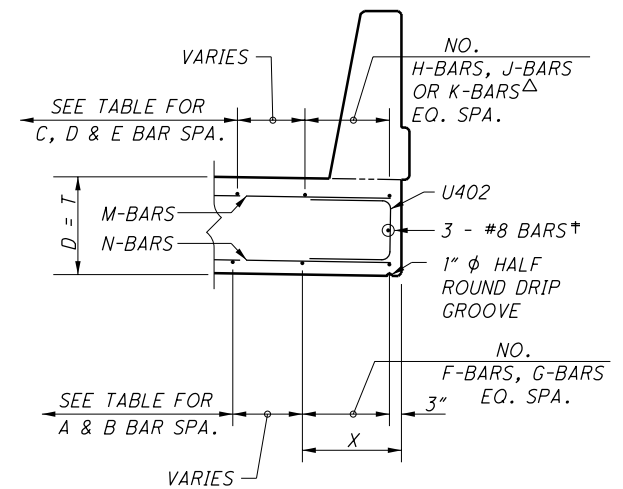


EDGE BEAM SLAB DATA - PARAPET

			LONGITUDINAL															
			BOTTOM BARS						TOP BARS									
SPANS (feet)	D (inches)	X (ft-in)	F BARS			G BARS			H BARS			J BARS			K BARS			
			SIZE	NO.	LENGTH	SIZE	NO.	LENGTH	SIZE	NO.	LENGTH	SIZE	NO.	LENGTH	SIZE	NO.	LENGTH	
14 - 17.50 - 14	18	5'-3"	8	10	16'-0"	16'-11"	8	10	20'-6"	5	10	7'-6"	8	10	21'-0"	N/A	N/A	N/A
15 - 18.75 - 15	18	5'-3"	8	10	17'-0"	17'-11"	8	10	21'-9"	5	10	7'-10"	8	10	22'-3"	N/A	N/A	N/A
16 - 20.00 - 16	18	5'-3"	8	10	18'-0"	18'-11"	8	10	23'-0"	5	10	8'-3"	8	10	23'-6"	N/A	N/A	N/A
17 - 21.25 - 17	18	5'-6"	8	10	19'-0"	19'-11"	8	10	24'-3"	5	10	8'-7"	8	10	24'-9"	N/A	N/A	N/A
18 - 22.50 - 18	18	5'-6"	8	10	20'-0"	20'-11"	8	10	25'-6"	5	10	9'-0"	8	10	26'-0"	N/A	N/A	N/A
19 - 23.75 - 19	18	5'-6"	8	10	21'-0"	21'-11"	8	10	26'-9"	5	10	9'-4"	8	10	27'-3"	N/A	N/A	N/A
20 - 25.00 - 20	18	5'-6"	8	10	22'-0"	22'-11"	8	10	28'-0"	5	10	9'-9"	8	10	28'-6"	N/A	N/A	N/A
21 - 26.25 - 21	18	5'-6"	8	10	23'-0"	23'-11"	8	10	29'-3"	5	10	10'-1"	8	10	29'-9"	N/A	N/A	N/A
22 - 27.50 - 22	18	5'-6"	8	10	24'-0"	24'-11"	8	10	30'-6"	5	10	13'-8"	8	10	24'-8"	5	10	9'-11"
23 - 28.75 - 23	18	5'-6"	8	10	25'-0"	25'-11"	8	10	31'-9"	5	10	14'-3"	8	10	25'-5"	5	10	10'-4"
24 - 30.00 - 24	18	5'-6"	8	10	26'-0"	26'-11"	8	10	33'-0"	5	12	14'-10"	8	12	26'-3"	5	12	10'-10"
25 - 31.25 - 25	18	5'-6"	8	10	27'-0"	27'-11"	8	10	34'-3"	5	12	15'-5"	8	12	27'-1"	5	12	11'-3"
26 - 32.50 - 26	18	5'-6"	8	10	28'-0"	28'-11"	8	10	35'-6"	5	12	16'-1"	8	12	27'-10"	5	12	11'-8"
27 - 33.75 - 27	18	5'-6"	8	10	29'-0"	29'-11"	8	10	36'-9"	5	12	16'-8"	8	12	28'-8"	5	12	12'-2"
28 - 35.00 - 28	18	5'-6"	8	12	30'-0"	30'-11"	8	12	38'-0"	5	12	17'-3"	8	12	29'-6"	5	12	12'-7"
29 - 36.25 - 29	18 1/2	5'-6"	8	12	31'-0"	31'-11"	8	12	39'-3"	5	14	17'-10"	8	14	30'-3"	5	14	13'-0"
30 - 37.50 - 30	19	5'-6"	8	12	32'-0"	32'-11"	8	12	40'-6"	5	12	18'-5"	9	12	31'-1"	5	12	13'-6"
31 - 38.75 - 31	19 1/2	5'-6"	8	12	33'-0"	33'-11"	8	12	41'-9"	5	12	19'-0"	9	12	31'-11"	5	12	13'-11"
32 - 40.00 - 32	20	5'-6"	8	12	34'-0"	34'-11"	8	12	43'-0"	5	12	19'-8"	9	12	32'-8"	5	12	14'-4"
33 - 41.25 - 33	20 1/2	5'-9"	8	12	35'-0"	35'-11"	8	12	44'-3"	5	12	20'-3"	9	12	33'-6"	5	12	14'-9"
34 - 42.50 - 34	21	5'-9"	8	12	36'-0"	36'-11"	8	12	45'-6"	5	12	20'-10"	9	12	34'-4"	5	12	15'-2"
35 - 43.75 - 35	21 1/2	5'-9"	8	12	37'-0"	37'-11"	8	12	46'-9"	5	12	21'-5"	9	12	35'-2"	5	12	15'-8"
36 - 45.00 - 36	22	5'-9"	8	12	38'-0"	38'-11"	8	12	48'-0"	5	12	22'-0"	9	12	35'-11"	5	12	16'-1"
37 - 46.25 - 37	22 1/2	5'-9"	9	11	39'-5"	40'-8"	9	11	50'-1"	5	14	22'-7"	9	14	36'-9"	5	14	16'-7"
38 - 47.50 - 38	23	5'-9"	9	11	40'-5"	41'-8"	9	11	51'-4"	5	14	23'-3"	9	14	37'-6"	5	14	17'-0"
39 - 48.75 - 39	23 1/2	6'-0"	9	11	41'-5"	42'-8"	9	11	52'-7"	5	15	23'-10"	9	15	38'-4"	5	15	17'-6"
40 - 50.00 - 40	24	6'-0"	9	11	42'-5"	43'-8"	9	11	53'-10"	5	15	24'-5"	9	15	39'-1"	5	15	17'-11"
41 - 51.25 - 41	24 1/2	6'-0"	9	13	43'-5"	44'-8"	9	13	55'-1"	5	15	25'-0"	10	15	39'-11"	5	15	18'-5"
42 - 52.50 - 42	25	6'-0"	9	13	44'-5"	45'-8"	9	13	56'-4"	5	15	25'-8"	10	15	40'-8"	5	15	18'-10"
43 - 53.75 - 43	25 1/2	6'-0"	9	13	45'-5"	46'-8"	9	13	57'-7"	5	15	26'-3"	10	15	41'-6"	5	15	19'-3"
44 - 55.00 - 44	26	6'-0"	9	13	46'-5"	47'-8"	9	13	58'-10"	5	15	26'-10"	10	15	42'-4"	5	15	19'-8"
45 - 56.25 - 45	26 1/2	6'-0"	10	11	47'-11"	49'-4"	10	11	61'-1"	5	15	27'-5"	10	15	43'-1"	5	15	20'-2"
46 - 57.50 - 46	27	6'-0"	10	11	48'-11"	50'-4"	10	11	62'-4"	5	15	28'-1"	10	15	43'-10"	5	15	20'-8"

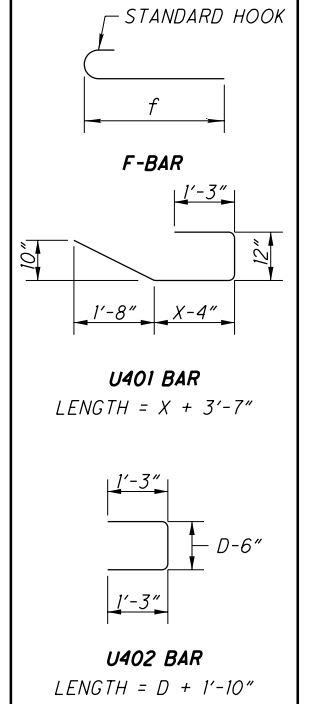


EDGE BEAM DETAIL
(FOR SLABS WITH T < 18")

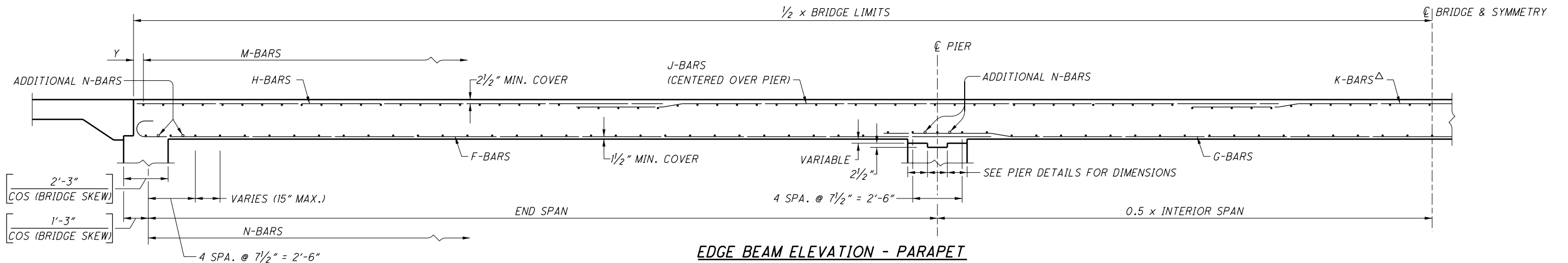


EDGE BEAM DETAIL
(FOR SLABS WITH T ≥ 18")

BENDING DIAGRAMS



NOTE
F BAR LENGTHS INCLUDE THE 180° BEND STANDARD HOOK LENGTH.



EDGE BEAM ELEVATION - PARAPET

$$Y \text{ (INCHES)} = \frac{1}{2} [\text{BRIDGE LIMITS (FEET)} - ((\text{NO. M BARS} - 1) * \text{M BAR SPACING (FEET)})] * 12$$

LEGEND:
 Δ - K-BARS ARE NOT ALWAYS REQUIRED; SEE SLAB DATA TABLE ON THIS SHEET
 + - LENGTH = 1/3 [BRIDGE LIMITS (FEET) + 6.0]