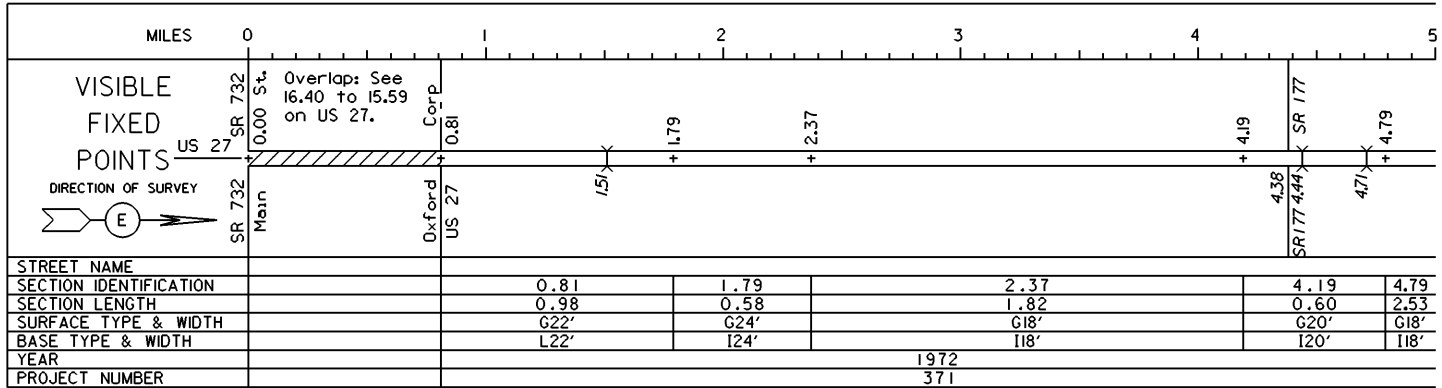


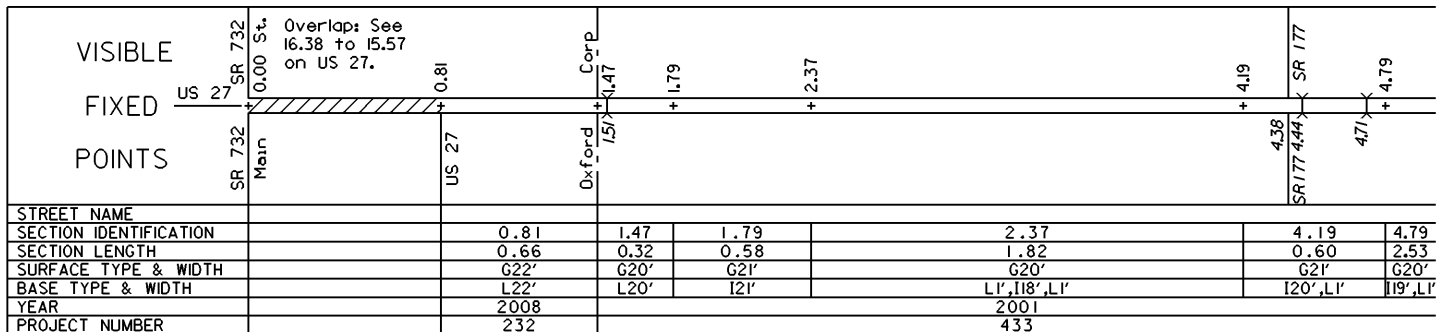
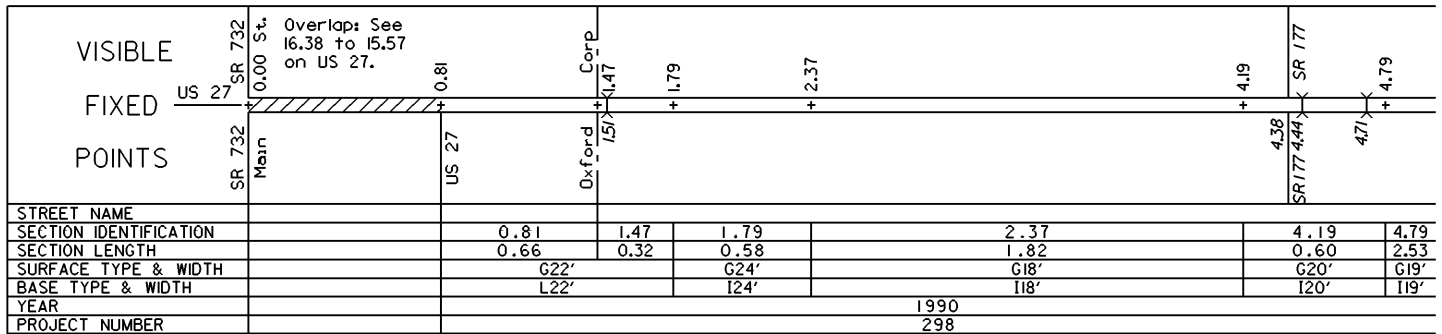
STATE OF OHIO - DEPARTMENT OF TRANSPORTATION

STATE ROUTE SECTIONS ON CONTINUOUS MILEAGE STATIONING

DISTRICT	8
COUNTY	BUTLER
ROUTE	SR 73

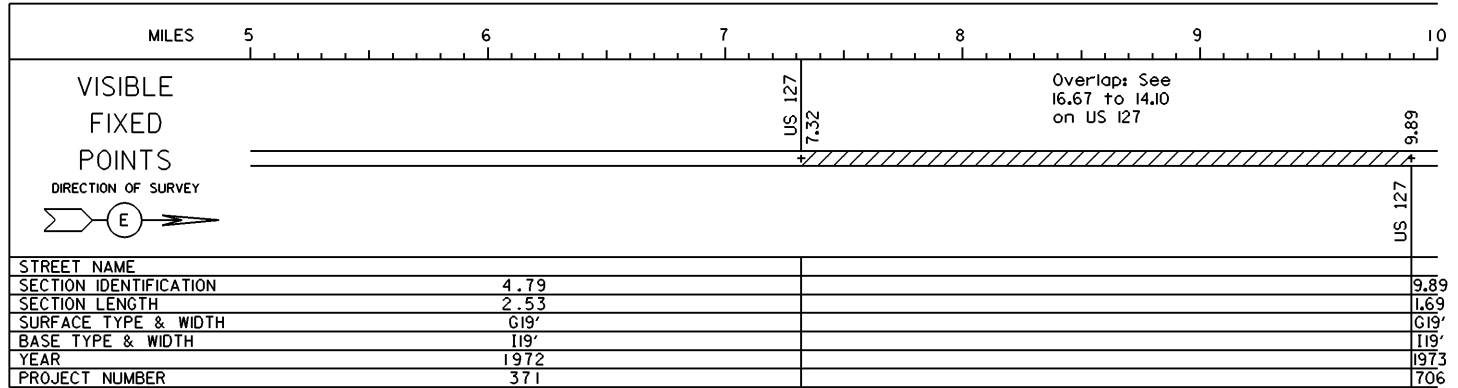


PERPETUATION

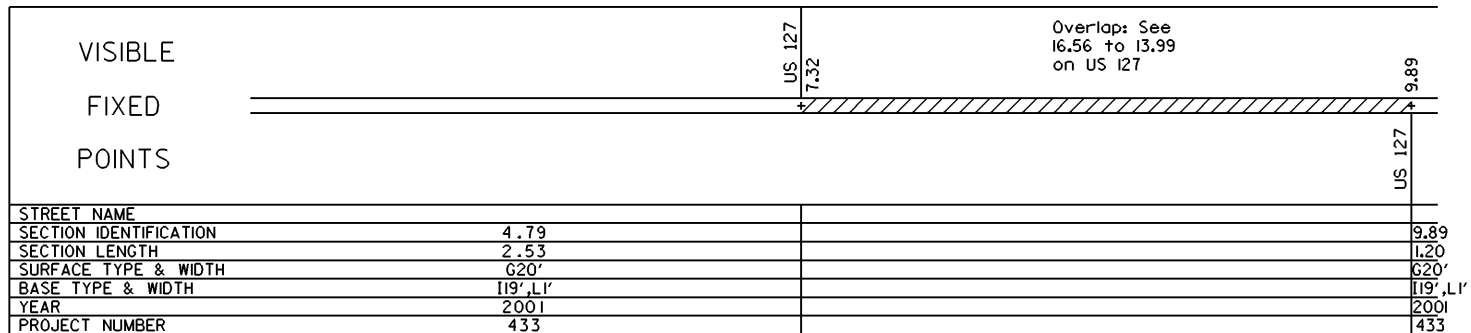
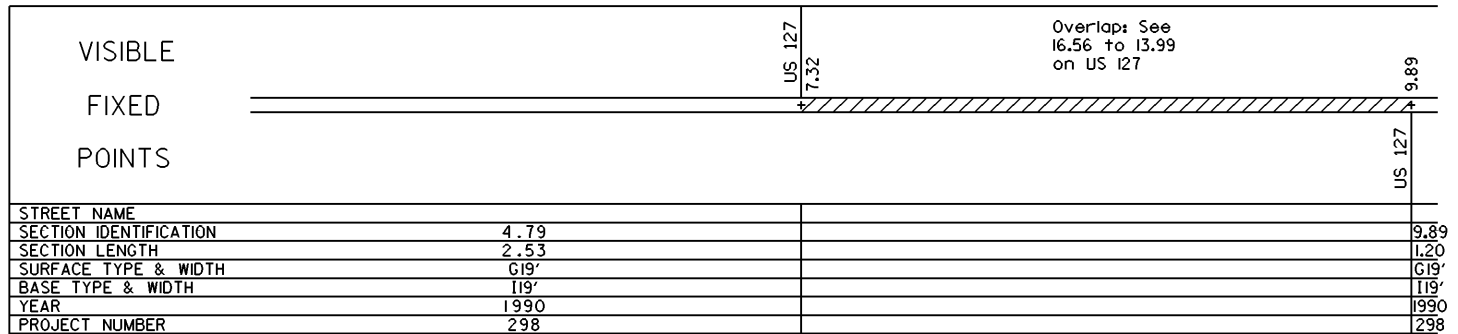


STATE OF OHIO - DEPARTMENT OF TRANSPORTATION
STATE ROUTE SECTIONS ON CONTINUOUS MILEAGE STATIONING

DISTRICT 8
COUNTY BUTLER
ROUTE SR 73



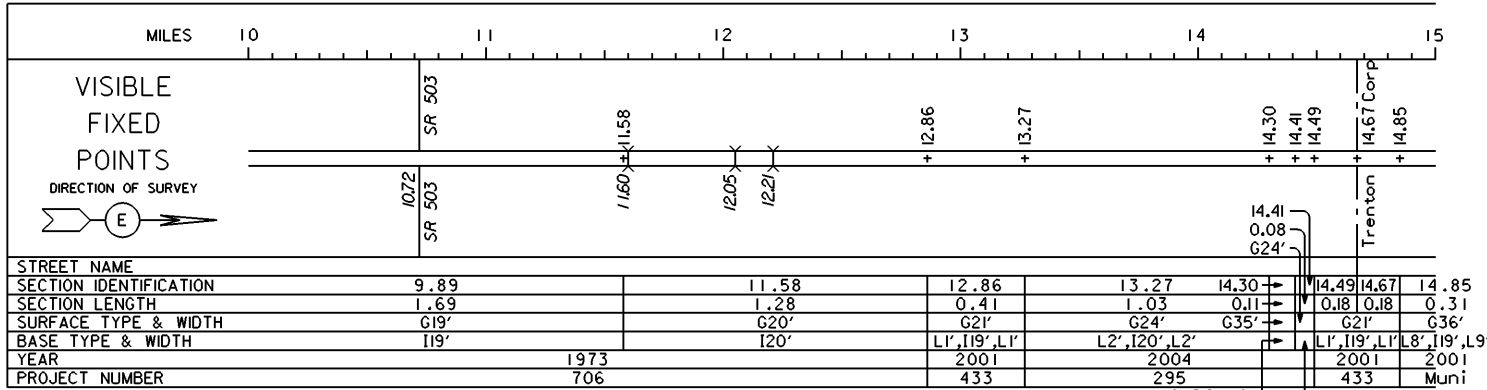
PERPETUATION



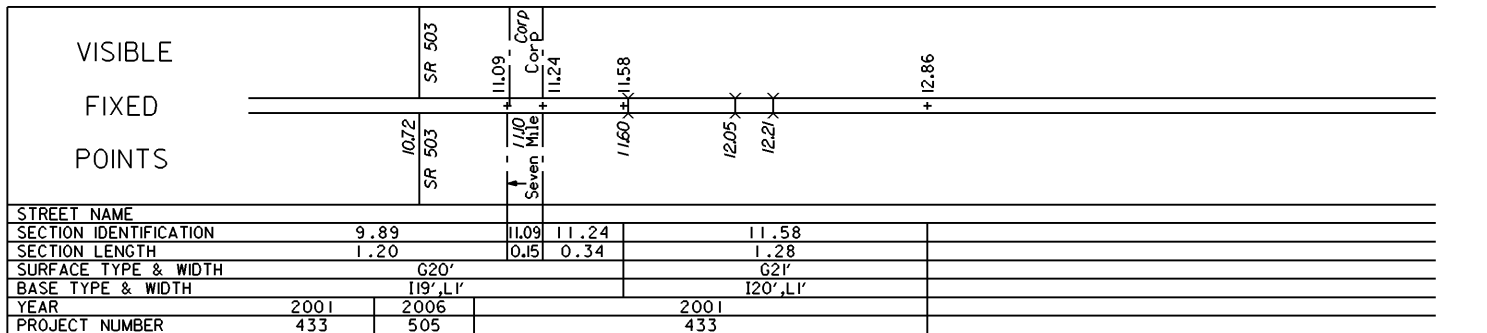
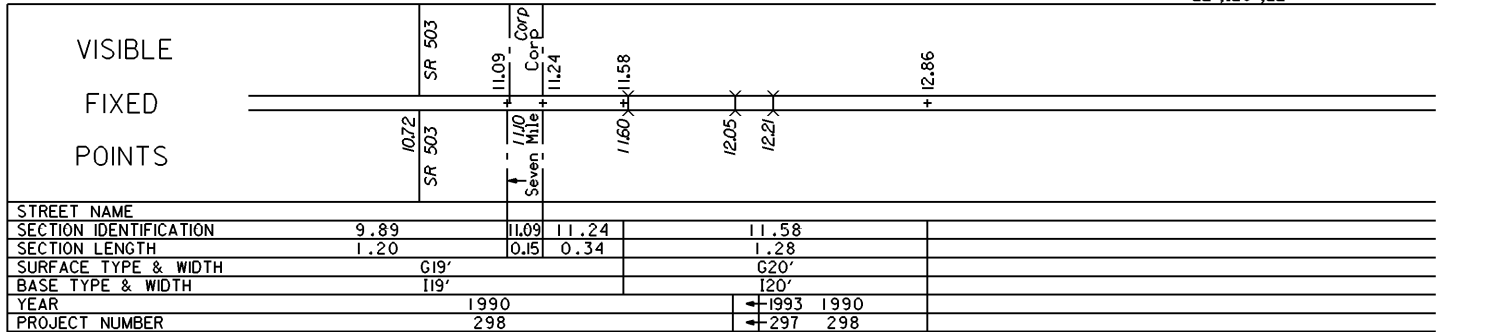
STATE OF OHIO - DEPARTMENT OF TRANSPORTATION

STATE ROUTE SECTIONS ON CONTINUOUS MILEAGE STATIONING

DISTRICT	8
COUNTY	BUTLER
ROUTE	SR 73

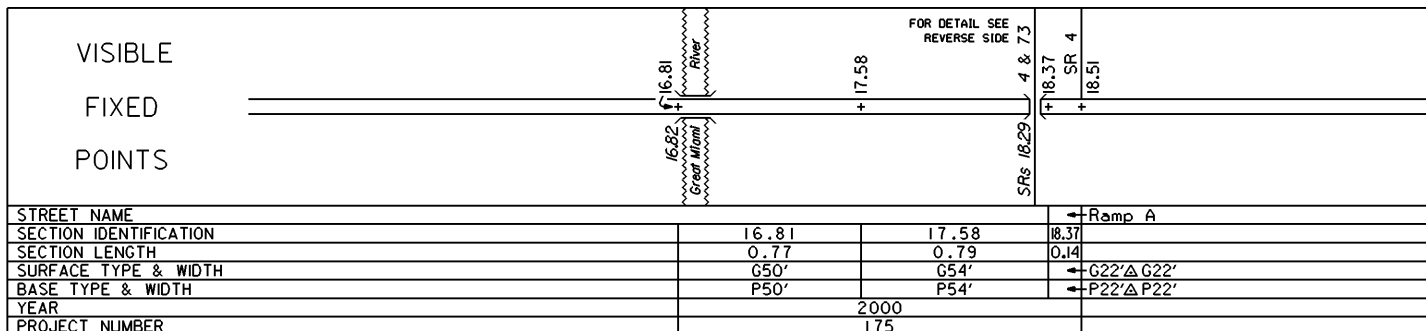
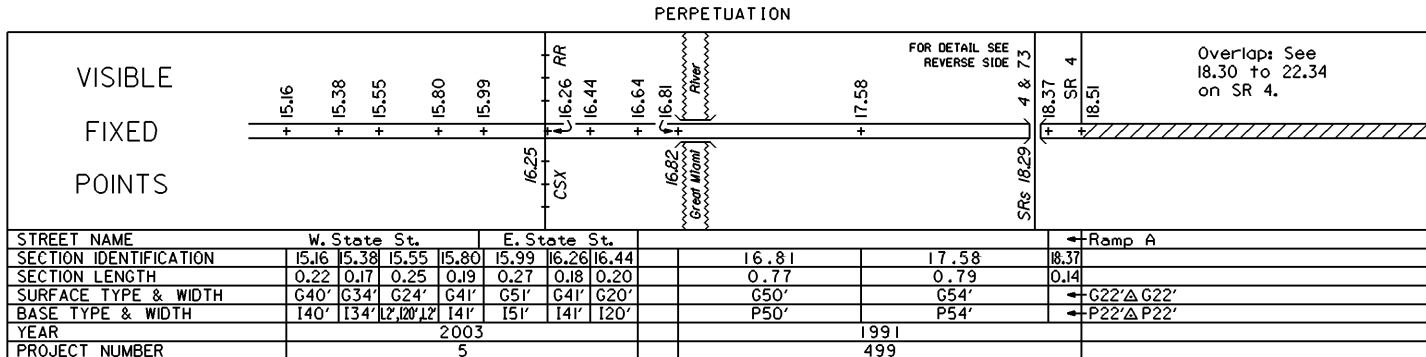
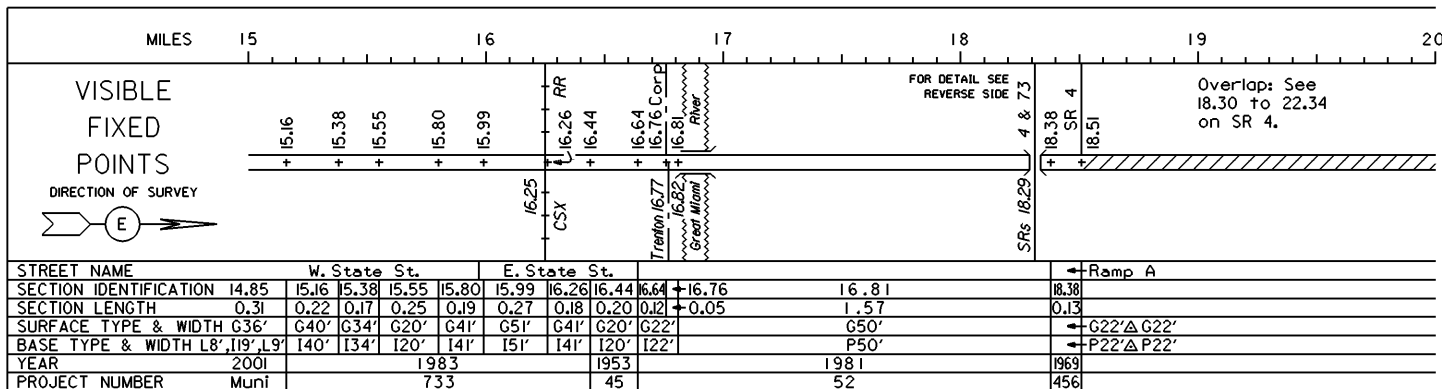


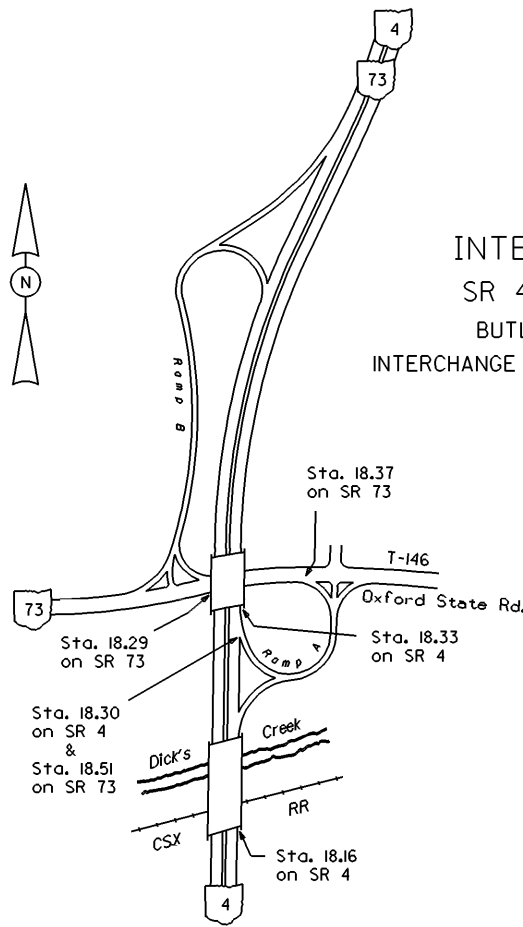
PERPETUATION



STATE OF OHIO - DEPARTMENT OF TRANSPORTATION
STATE ROUTE SECTIONS ON CONTINUOUS MILEAGE STATIONING

DISTRICT 8
COUNTY BUTLER
ROUTE SR 73

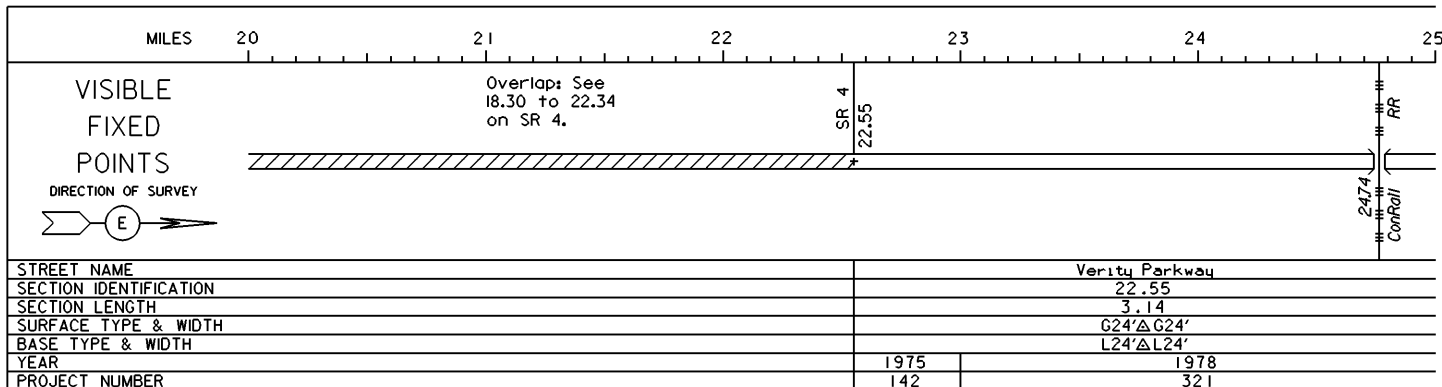




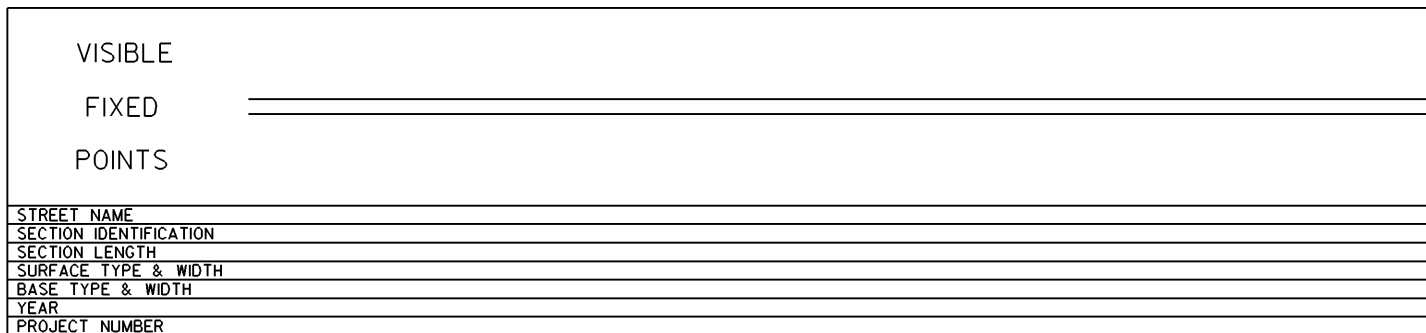
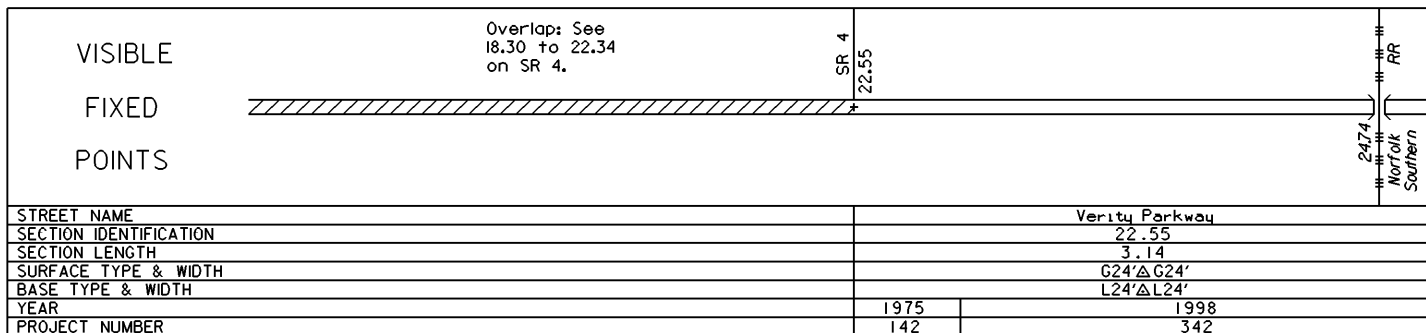
INTERCHANGE
 SR 4 & SR 73
 BUTLER COUNTY
 INTERCHANGE ID NUMBER = 008100

STATE OF OHIO - DEPARTMENT OF TRANSPORTATION
STATE ROUTE SECTIONS ON CONTINUOUS MILEAGE STATIONING

DISTRICT 8
COUNTY BUTLER
ROUTE SR 73




PERPETUATION



STATE OF OHIO - DEPARTMENT OF TRANSPORTATION
STATE ROUTE SECTIONS ON CONTINUOUS MILEAGE STATIONING

DISTRICT 8
COUNTY BUTLER
ROUTE SR 73

MILES	25.00	25.20	25.40	25.60	25.80	26.00
VISIBLE FIXED POINTS DIRECTION OF SURVEY 						Corp CO + 25.69 CO Middletown BUTLER WARREN
STREET NAME	Verity Parkway					
SECTION IDENTIFICATION	22.55					
SECTION LENGTH	3.14					
SURFACE TYPE & WIDTH	G24'ΔG24'					
BASE TYPE & WIDTH	L24'ΔL24'					
YEAR	1978					
PROJECT NUMBER	321					

PERPETUATION

VISIBLE FIXED POINTS						Corp CO + 25.69 CO Middletown BUTLER WARREN
STREET NAME	Verity Parkway					
SECTION IDENTIFICATION	22.55					
SECTION LENGTH	3.14					
SURFACE TYPE & WIDTH	G24'ΔG24'					
BASE TYPE & WIDTH	L24'ΔL24'					
YEAR	1998					
PROJECT NUMBER	342					

VISIBLE FIXED POINTS					
STREET NAME					
SECTION IDENTIFICATION					
SECTION LENGTH					
SURFACE TYPE & WIDTH					
BASE TYPE & WIDTH					
YEAR					
PROJECT NUMBER					