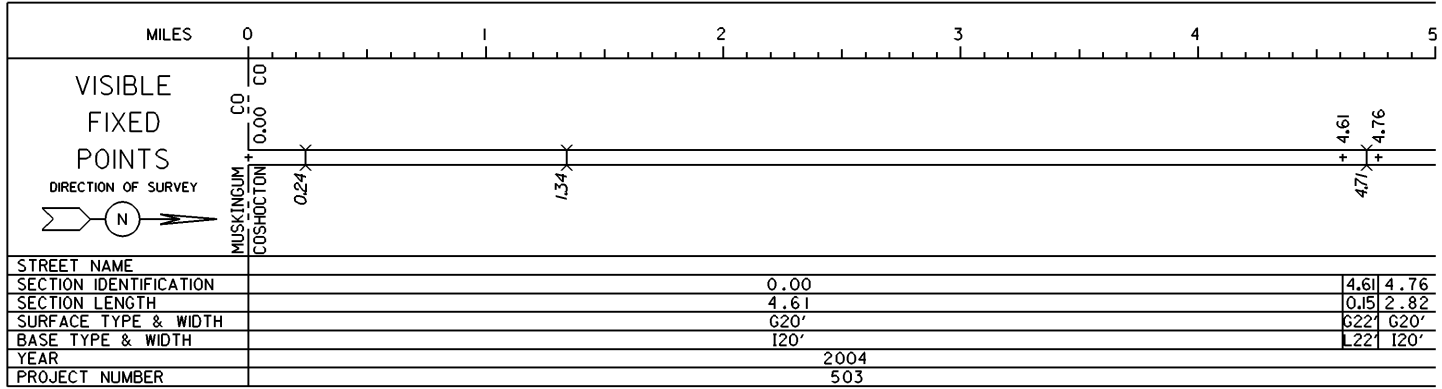


# STATE OF OHIO - DEPARTMENT OF TRANSPORTATION

STATE ROUTE SECTIONS ON CONTINUOUS MILEAGE STATIONING

DISTRICT	5
COUNTY	COSHOCTON
ROUTE	SR 60



PERPETUATION

VISIBLE  
FIXED  
POINTS

---



---

STREET NAME		
SECTION IDENTIFICATION		
SECTION LENGTH		
SURFACE TYPE & WIDTH		
BASE TYPE & WIDTH		
YEAR		
PROJECT NUMBER		

VISIBLE  
FIXED  
POINTS

---



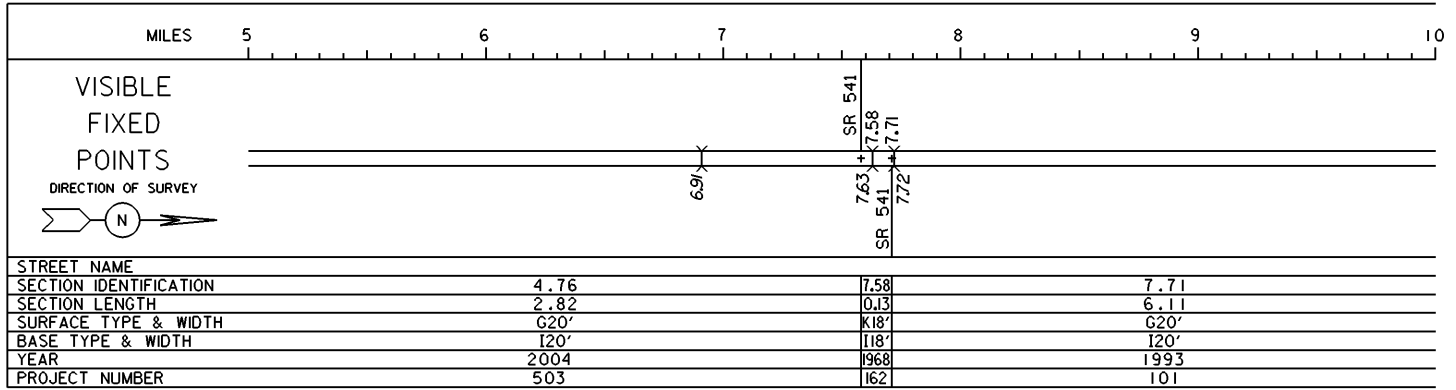
---

STREET NAME		
SECTION IDENTIFICATION		
SECTION LENGTH		
SURFACE TYPE & WIDTH		
BASE TYPE & WIDTH		
YEAR		
PROJECT NUMBER		

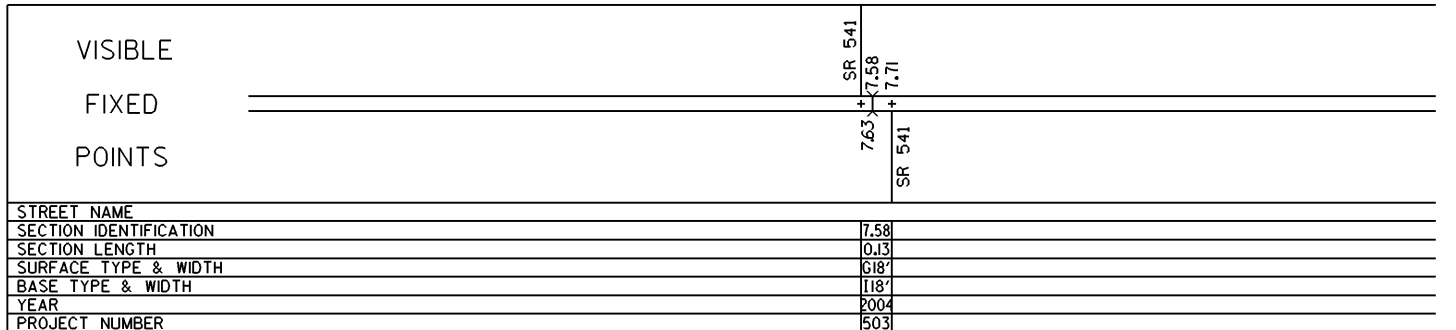
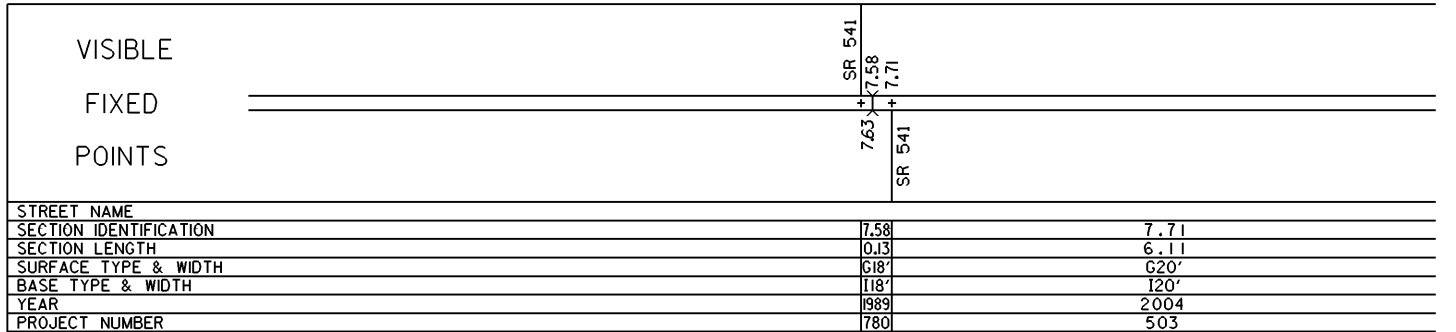
STATE OF OHIO - DEPARTMENT OF TRANSPORTATION

STATE ROUTE SECTIONS ON CONTINUOUS MILEAGE STATIONING

DISTRICT 5  
 COUNTY COSHOCTON  
 ROUTE SR 60

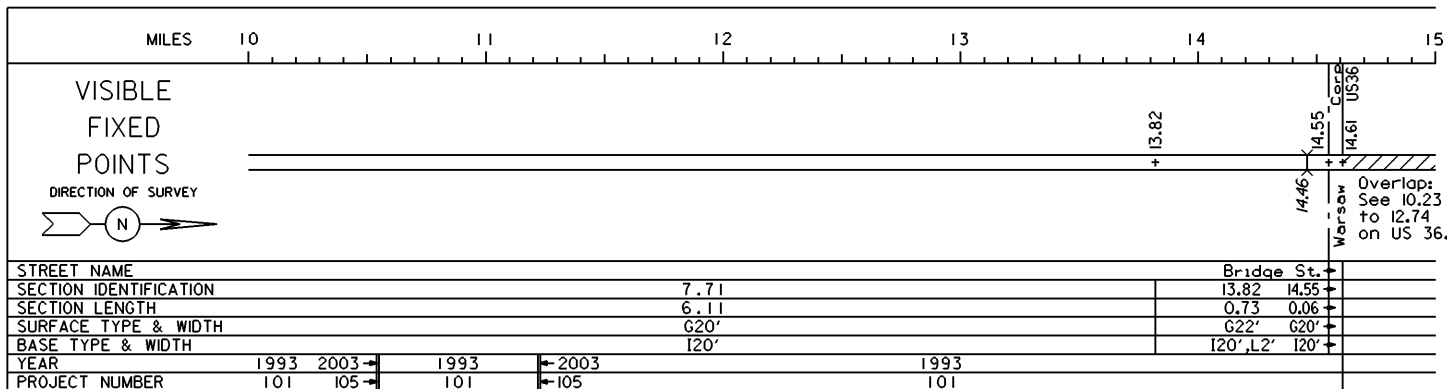


PERPETUATION

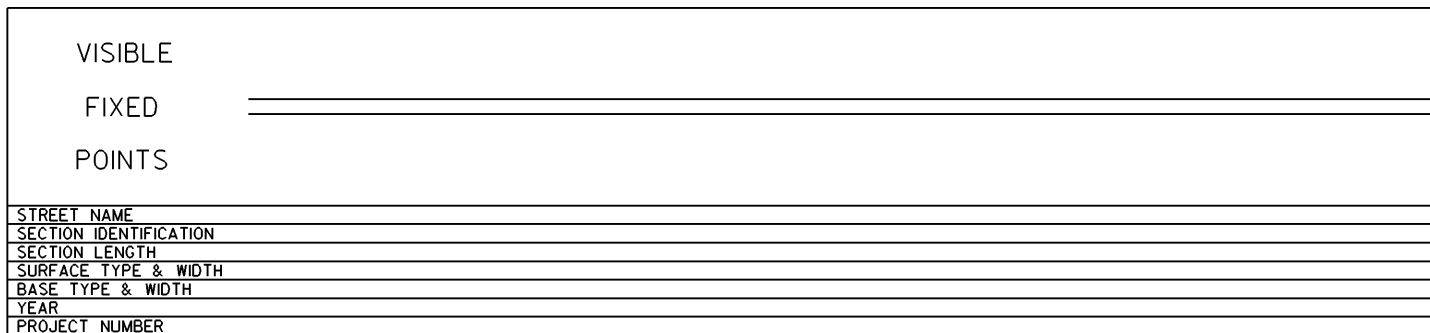
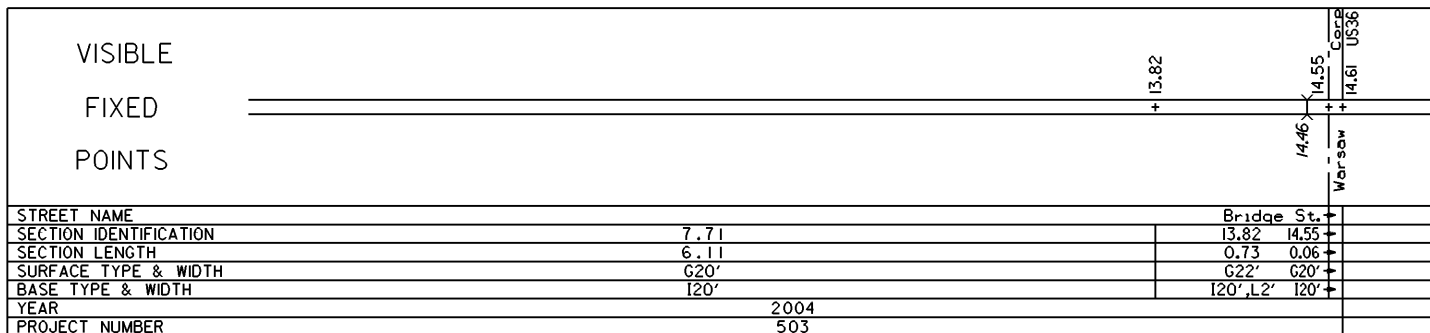


STATE OF OHIO - DEPARTMENT OF TRANSPORTATION  
STATE ROUTE SECTIONS ON CONTINUOUS MILEAGE STATIONING

DISTRICT 5  
COUNTY COSHOCTON  
ROUTE SR 60

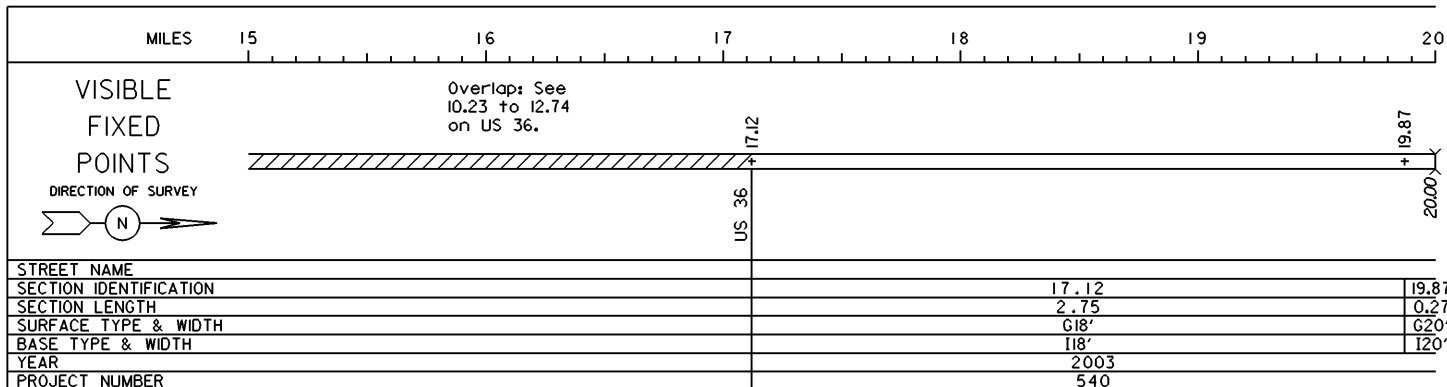


PERPETUATION



STATE OF OHIO - DEPARTMENT OF TRANSPORTATION  
STATE ROUTE SECTIONS ON CONTINUOUS MILEAGE STATIONING

DISTRICT 5  
COUNTY COSHOCTON  
ROUTE SR 60



PERPETUATION

VISIBLE  
FIXED  
POINTS

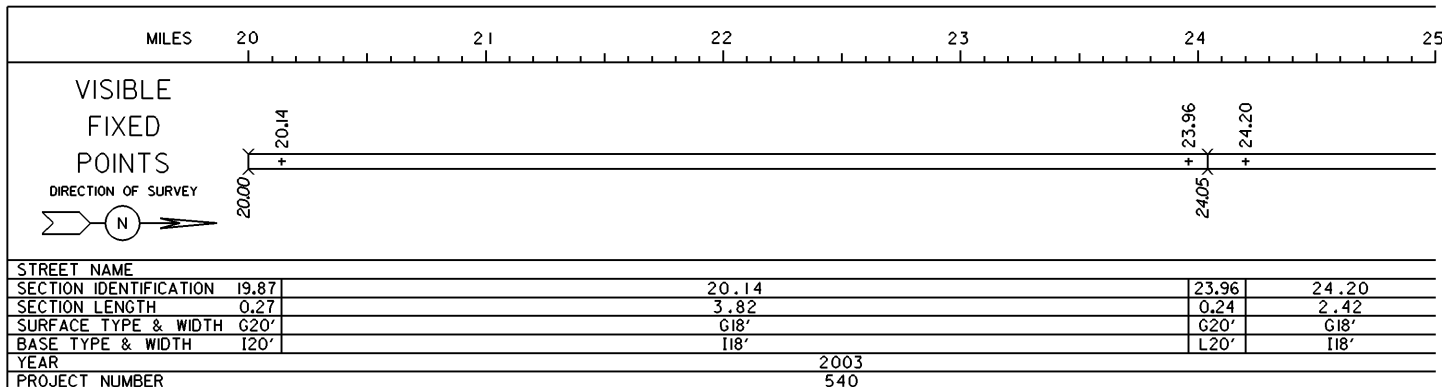
STREET NAME  
SECTION IDENTIFICATION  
SECTION LENGTH  
SURFACE TYPE & WIDTH  
BASE TYPE & WIDTH  
YEAR  
PROJECT NUMBER

VISIBLE  
FIXED  
POINTS

STREET NAME  
SECTION IDENTIFICATION  
SECTION LENGTH  
SURFACE TYPE & WIDTH  
BASE TYPE & WIDTH  
YEAR  
PROJECT NUMBER

STATE OF OHIO - DEPARTMENT OF TRANSPORTATION  
STATE ROUTE SECTIONS ON CONTINUOUS MILEAGE STATIONING

DISTRICT 5  
COUNTY COSHOCTON  
ROUTE SR 60



PERPETUATION

VISIBLE  
FIXED  
POINTS

---

STREET NAME  
SECTION IDENTIFICATION  
SECTION LENGTH  
SURFACE TYPE & WIDTH  
BASE TYPE & WIDTH  
YEAR  
PROJECT NUMBER

VISIBLE  
FIXED  
POINTS

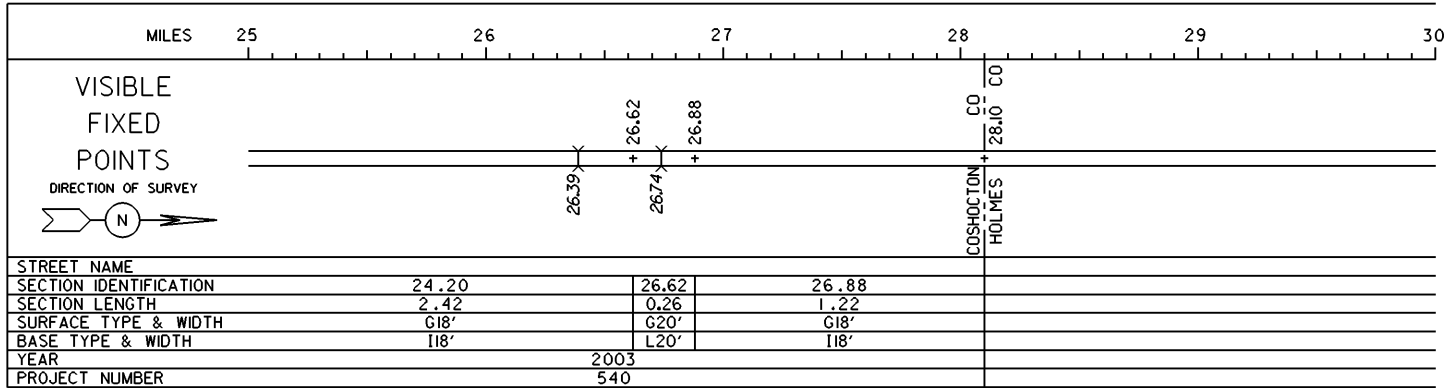
---

STREET NAME  
SECTION IDENTIFICATION  
SECTION LENGTH  
SURFACE TYPE & WIDTH  
BASE TYPE & WIDTH  
YEAR  
PROJECT NUMBER

STATE OF OHIO - DEPARTMENT OF TRANSPORTATION

STATE ROUTE SECTIONS ON CONTINUOUS MILEAGE STATIONING

DISTRICT 5  
 COUNTY COSHOCTON  
 ROUTE SR 60



PERPETUATION

