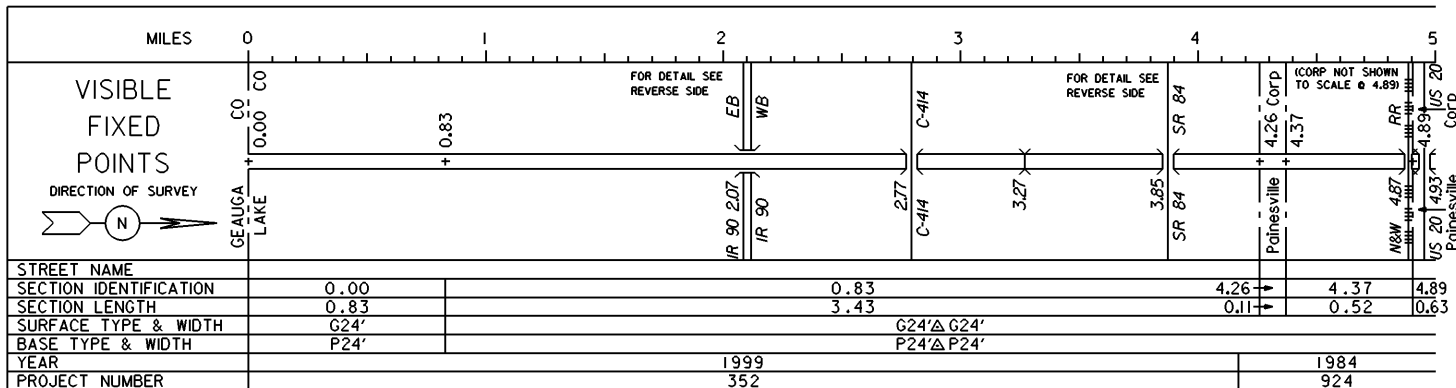
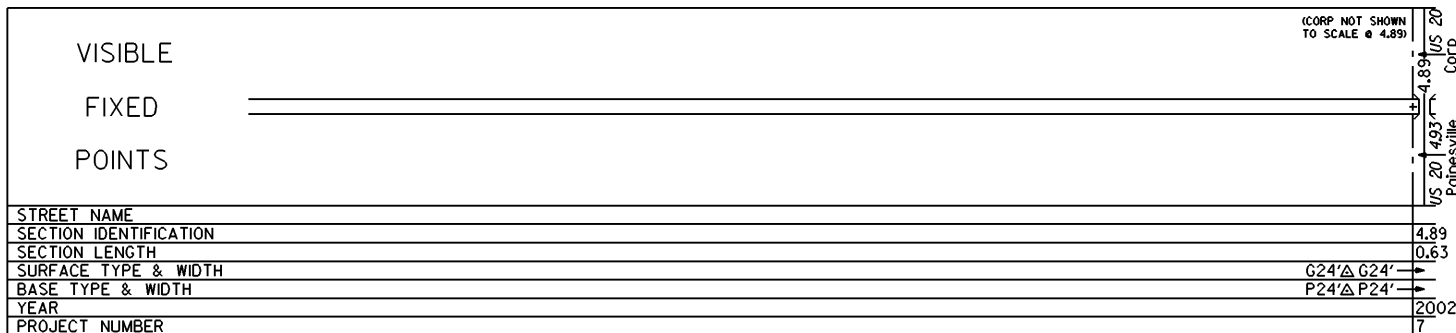
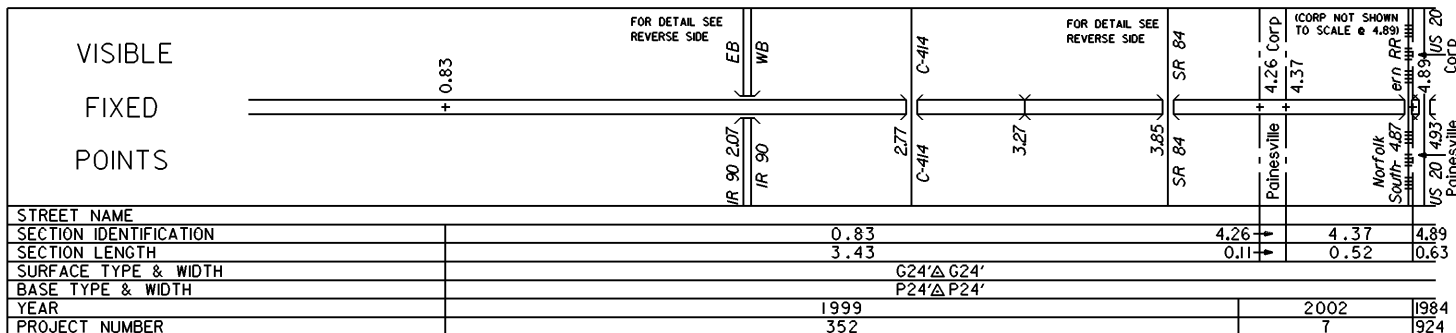


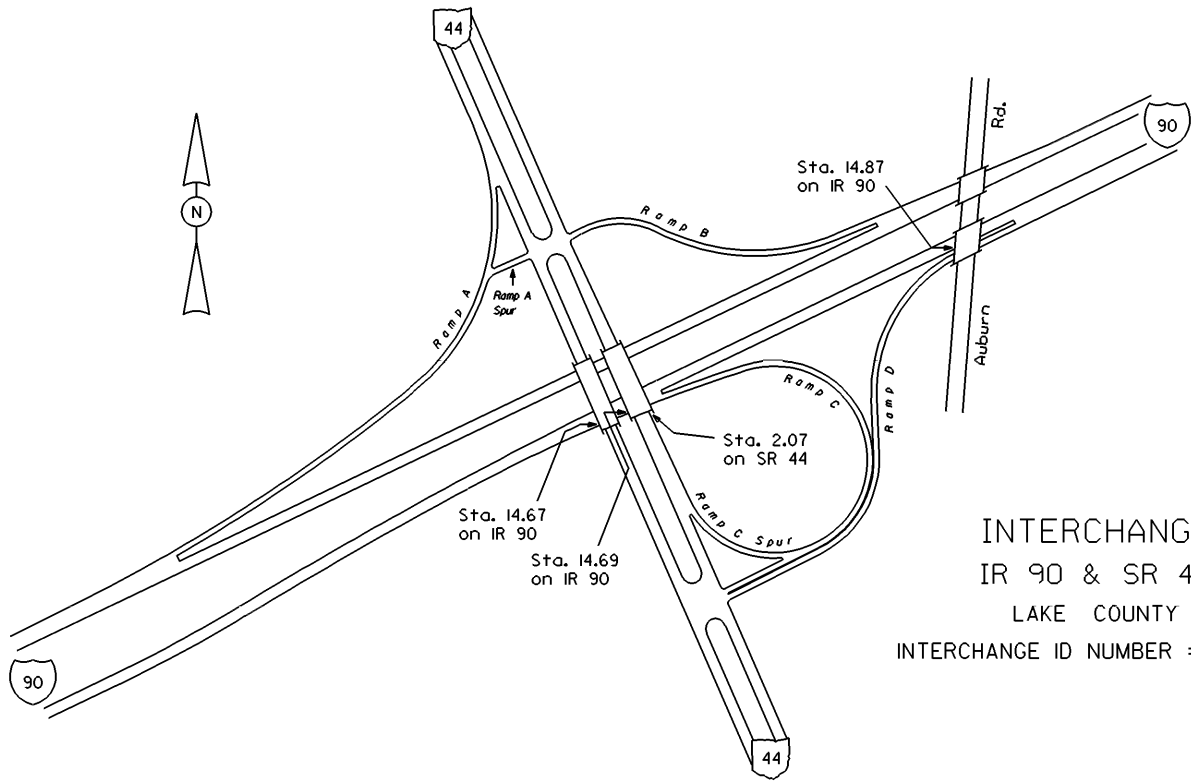
STATE OF OHIO - DEPARTMENT OF TRANSPORTATION  
STATE ROUTE SECTIONS ON CONTINUOUS MILEAGE STATIONING

DISTRICT 12  
COUNTY LAKE  
ROUTE SR 84

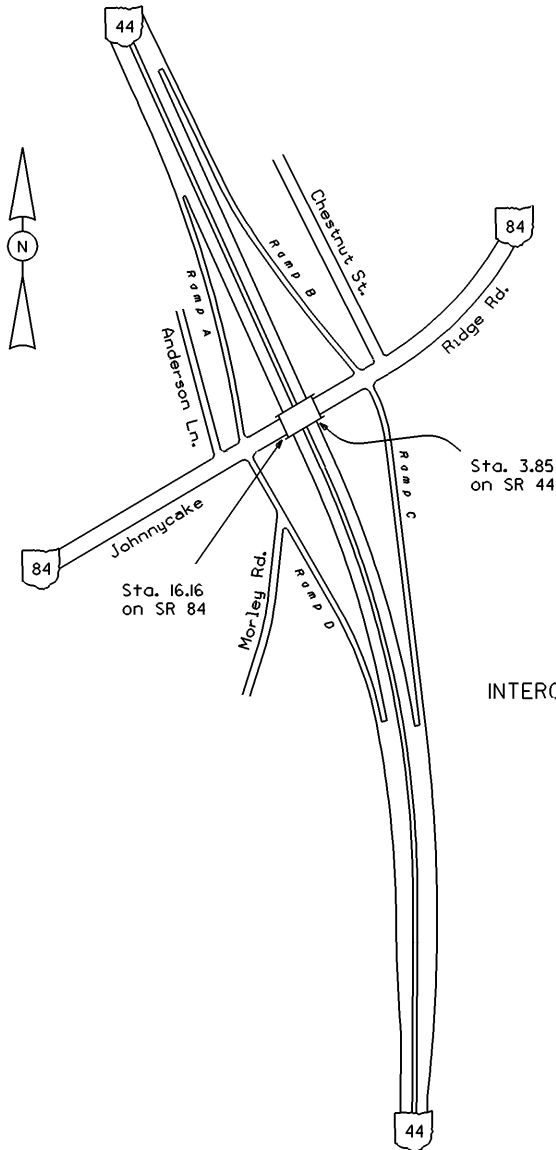


PERPETUATION





INTERCHANGE  
IR 90 & SR 44  
LAKE COUNTY  
INTERCHANGE ID NUMBER = 052400

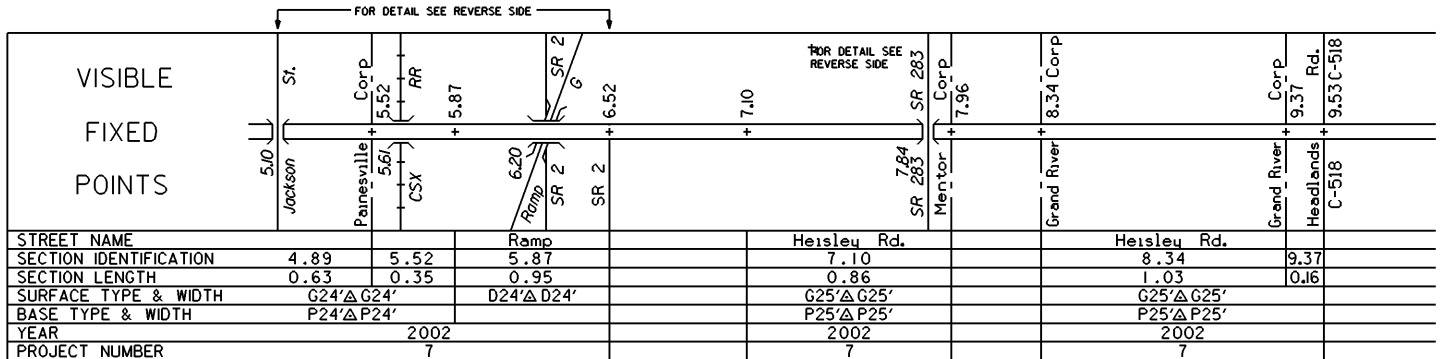
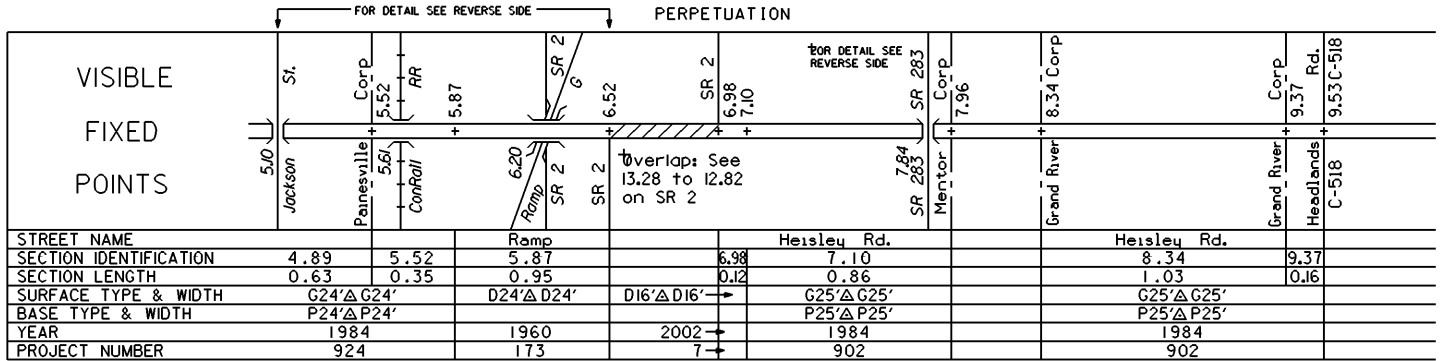
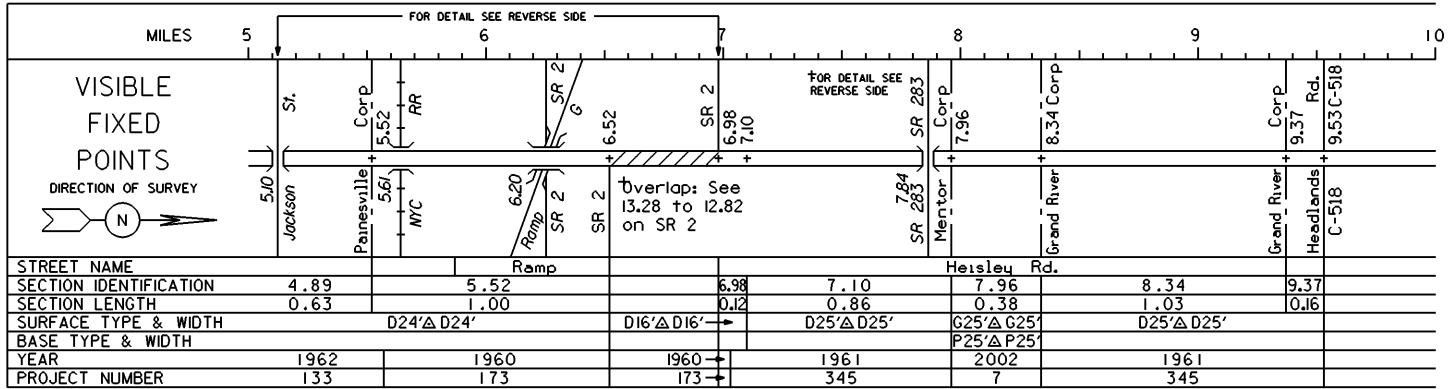


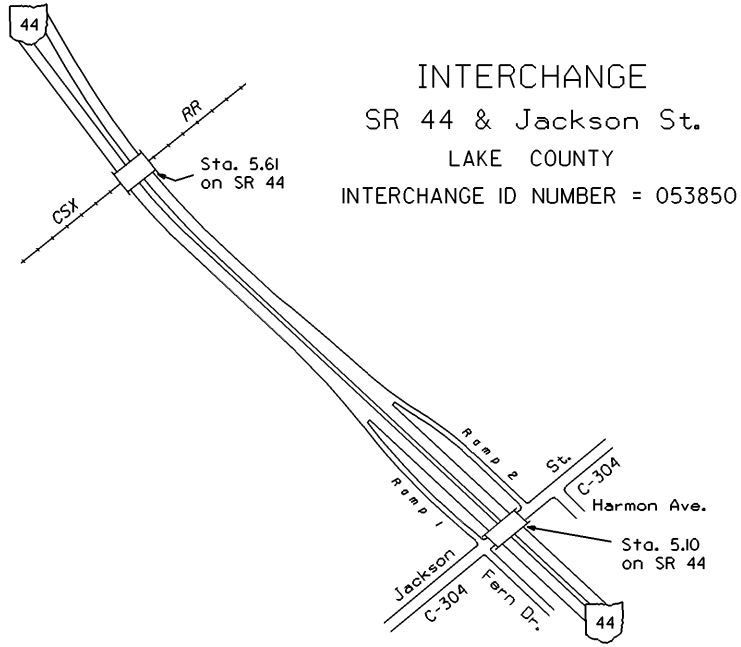
INTERCHANGE  
SR 44 & SR 84  
LAKE COUNTY  
INTERCHANGE ID NUMBER = 053800

# STATE OF OHIO - DEPARTMENT OF TRANSPORTATION

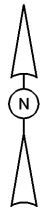
STATE ROUTE SECTIONS ON CONTINUOUS MILEAGE STATIONING

DISTRICT	12
COUNTY	LAKE
ROUTE	SR 44





INTERCHANGE  
SR 44 & Jackson St.  
LAKE COUNTY  
INTERCHANGE ID NUMBER = 053850



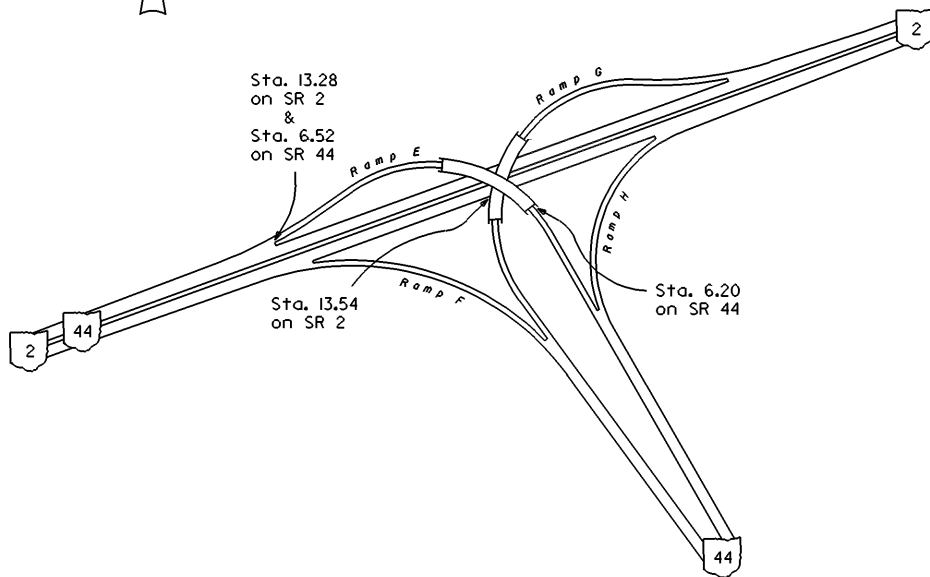


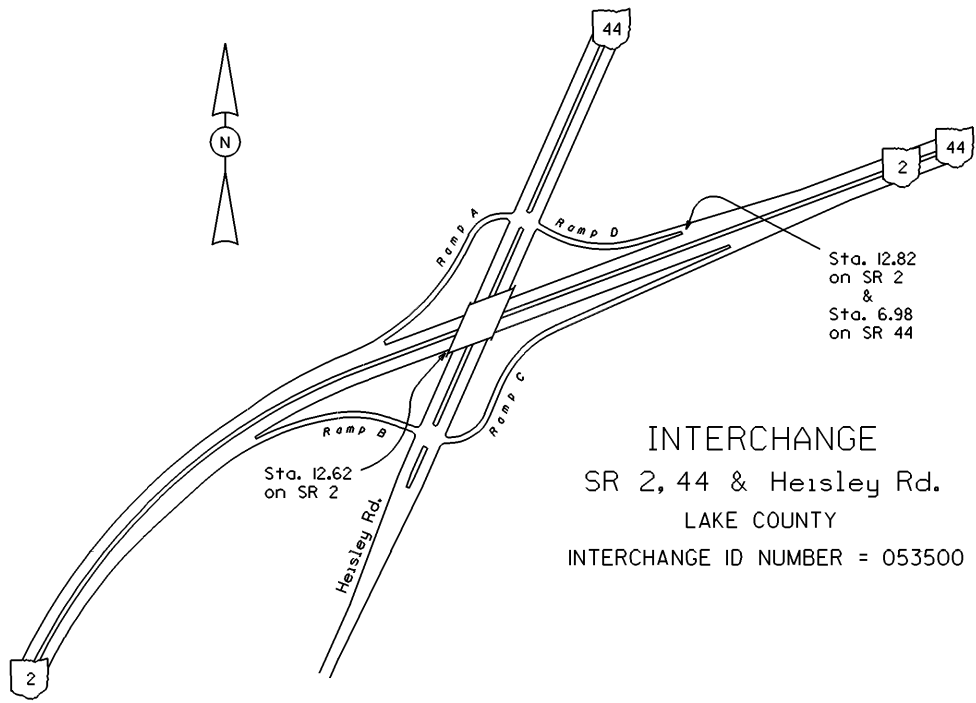
# INTERCHANGE

SR 2 & SR 44

LAKE COUNTY

INTERCHANGE ID NUMBER = 053600





INTERCHANGE  
SR 2, 44 & Heisley Rd.  
LAKE COUNTY  
INTERCHANGE ID NUMBER = 053500

INTERCHANGE  
SR 44 & SR 283  
LAKE COUNTY  
INTERCHANGE ID NUMBER = 053900

