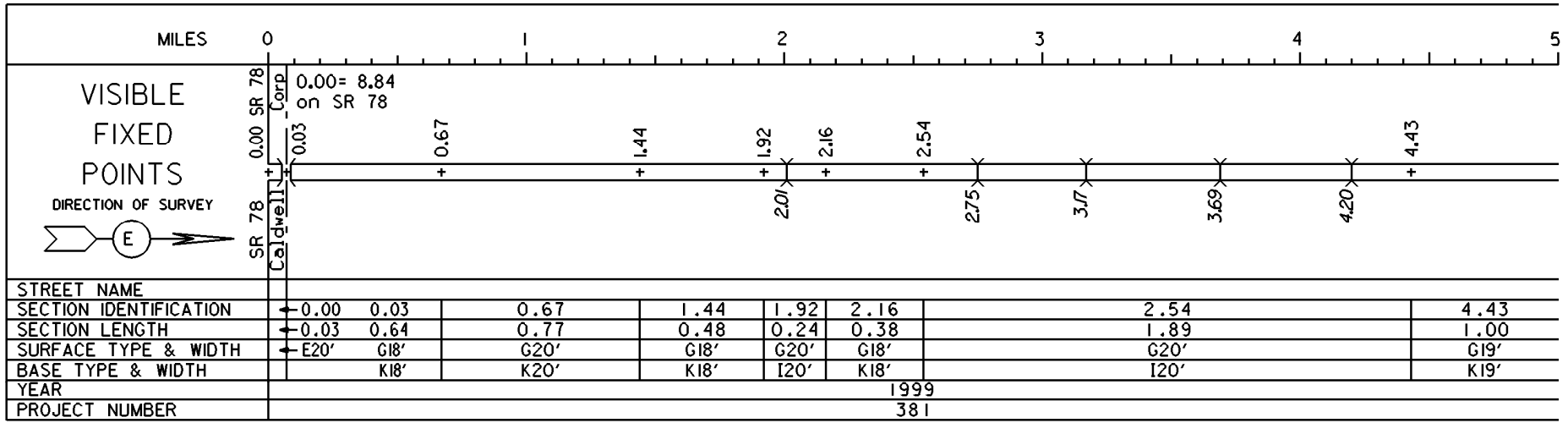


STATE OF OHIO - DEPARTMENT OF TRANSPORTATION

STATE ROUTE SECTIONS ON CONTINUOUS MILEAGE STATIONING

DISTRICT 10  
 COUNTY NOBLE  
 ROUTE SR 564



PERPETUATION

VISIBLE  
 FIXED  
 POINTS

---

STREET NAME  
 SECTION IDENTIFICATION  
 SECTION LENGTH  
 SURFACE TYPE & WIDTH  
 BASE TYPE & WIDTH  
 YEAR  
 PROJECT NUMBER

VISIBLE  
 FIXED  
 POINTS

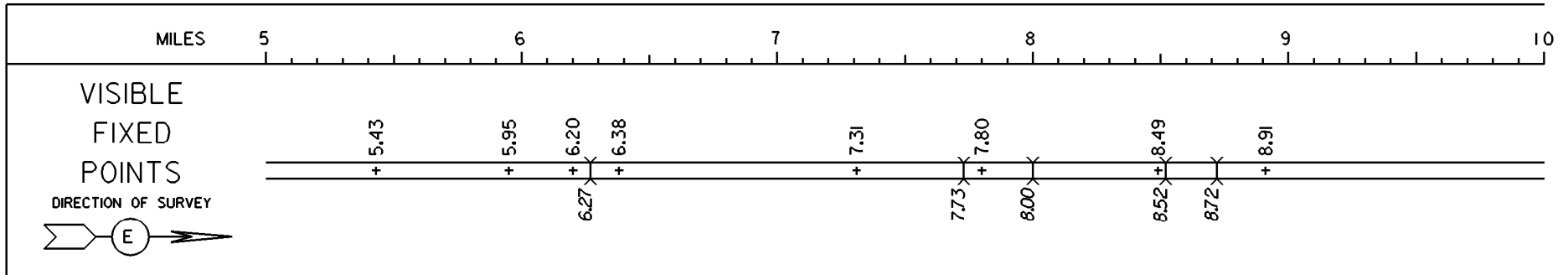
---

STREET NAME  
 SECTION IDENTIFICATION  
 SECTION LENGTH  
 SURFACE TYPE & WIDTH  
 BASE TYPE & WIDTH  
 YEAR  
 PROJECT NUMBER

STATE OF OHIO - DEPARTMENT OF TRANSPORTATION

STATE ROUTE SECTIONS ON CONTINUOUS MILEAGE STATIONING

DISTRICT 10  
 COUNTY NOBLE  
 ROUTE SR 564



STREET NAME										
SECTION IDENTIFICATION	4.43	5.43	5.95	6.20	6.38	7.31	7.80	8.49	8.91	
SECTION LENGTH	1.00	0.52	0.25	0.18	0.93	0.49	0.69	0.42	1.29	
SURFACE TYPE & WIDTH	G19'	G19'	G19'	G20'	G19'	G19'	G19'	G19'	G18'	
BASE TYPE & WIDTH	K19'	L19'	K19'	L20'	K19'	L19'	K19'	I19'	K18'	
YEAR	1999		2000		1999		1999			
PROJECT NUMBER	381			205		381				

PERPETUATION

VISIBLE  
 FIXED  
 POINTS

---



---

STREET NAME
SECTION IDENTIFICATION
SECTION LENGTH
SURFACE TYPE & WIDTH
BASE TYPE & WIDTH
YEAR
PROJECT NUMBER

VISIBLE  
 FIXED  
 POINTS

---



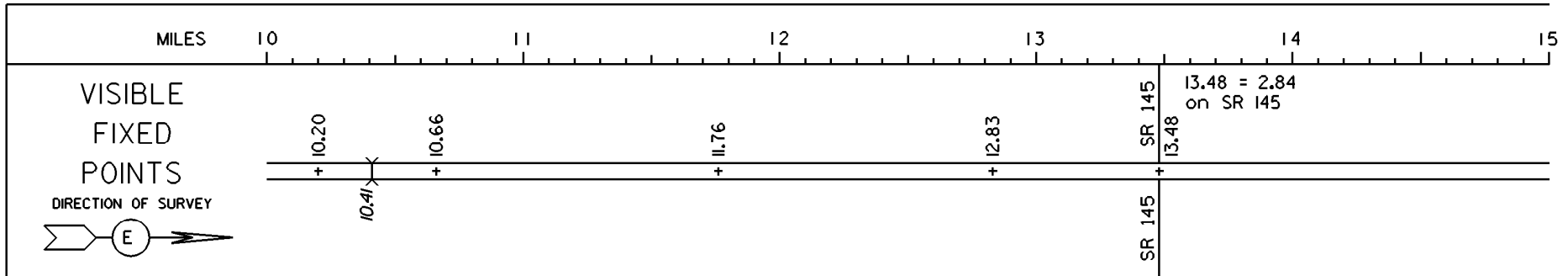
---

STREET NAME
SECTION IDENTIFICATION
SECTION LENGTH
SURFACE TYPE & WIDTH
BASE TYPE & WIDTH
YEAR
PROJECT NUMBER

STATE OF OHIO - DEPARTMENT OF TRANSPORTATION

STATE ROUTE SECTIONS ON CONTINUOUS MILEAGE STATIONING

DISTRICT 10  
 COUNTY NOBLE  
 ROUTE SR 564



STREET NAME					
SECTION IDENTIFICATION	8.91	10.20	10.66	11.76	12.83
SECTION LENGTH	1.29	0.46	1.10	1.07	0.65
SURFACE TYPE & WIDTH	G18'	G20'	G18'	G20'	G20'
BASE TYPE & WIDTH	K18'	L20'	K18'	L20'	L20'
YEAR	1999		1994	1996	1994
PROJECT NUMBER	381		534	293	534

PERPETUATION

VISIBLE  
 FIXED  
 POINTS

---



---

STREET NAME					
SECTION IDENTIFICATION					
SECTION LENGTH					
SURFACE TYPE & WIDTH					
BASE TYPE & WIDTH					
YEAR					
PROJECT NUMBER					

VISIBLE  
 FIXED  
 POINTS

---



---

STREET NAME					
SECTION IDENTIFICATION					
SECTION LENGTH					
SURFACE TYPE & WIDTH					
BASE TYPE & WIDTH					
YEAR					
PROJECT NUMBER					