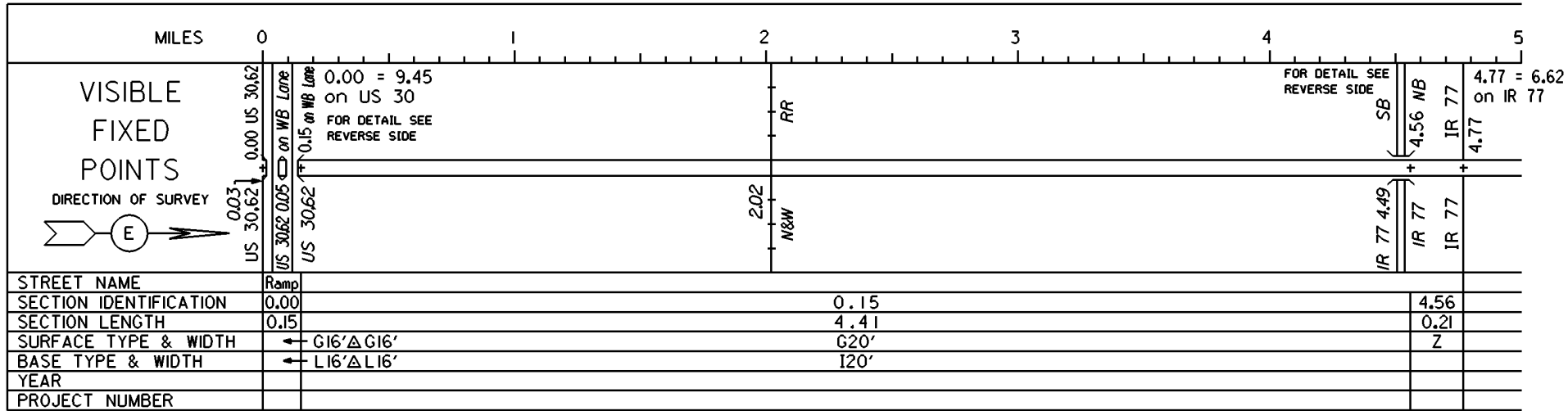
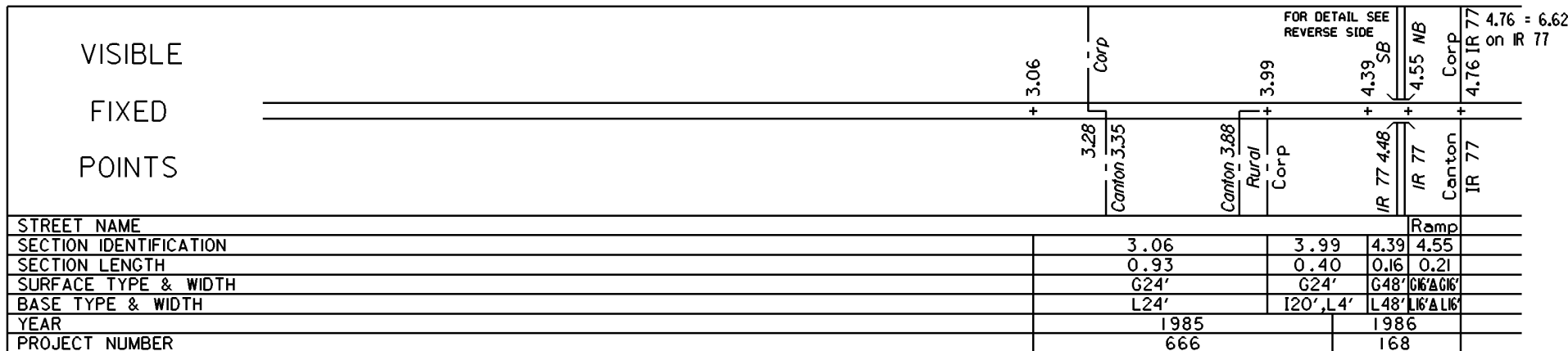
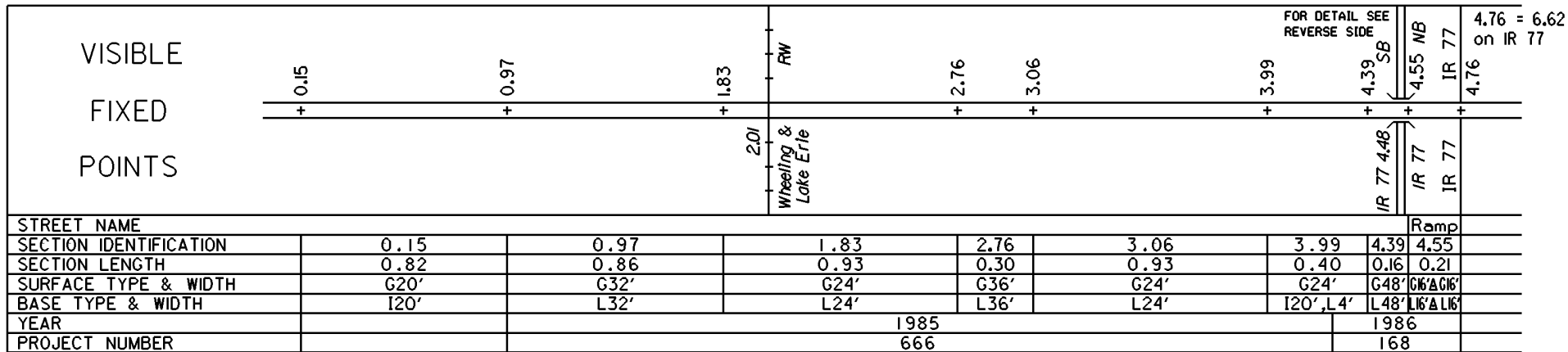


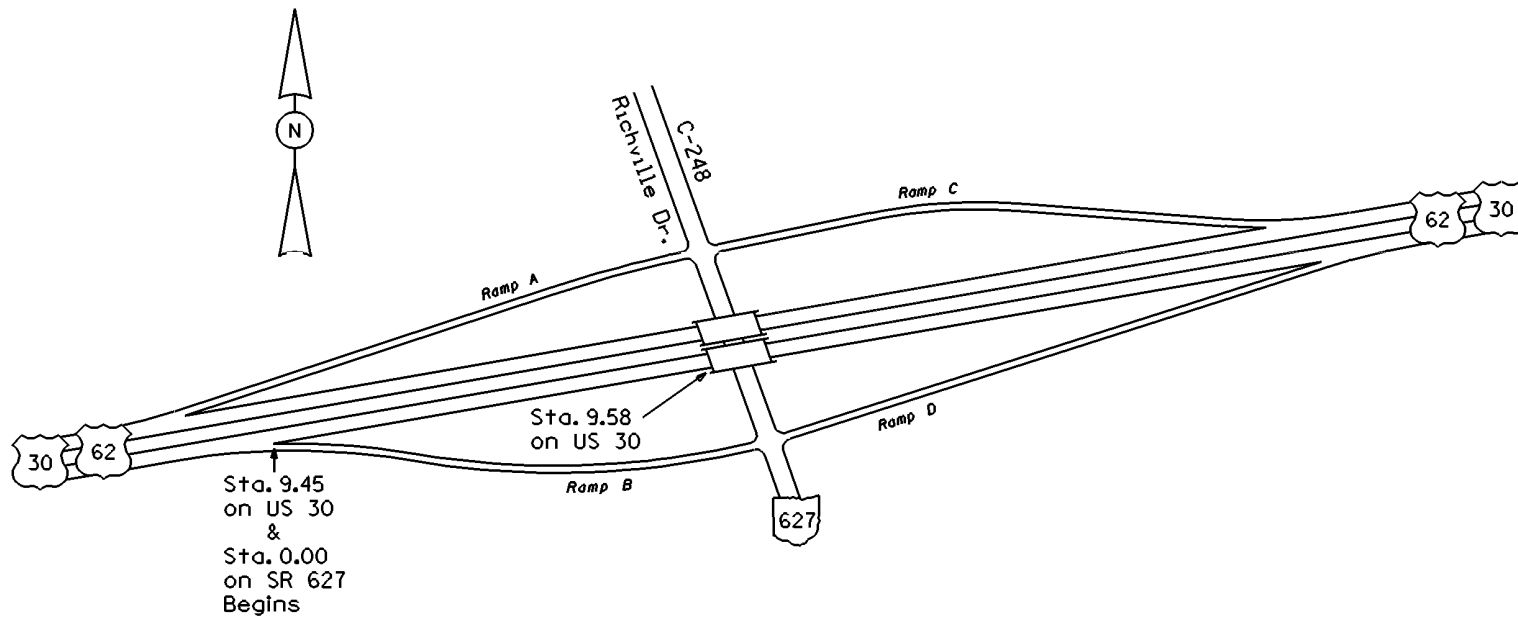
STATE OF OHIO - DEPARTMENT OF TRANSPORTATION
STATE ROUTE SECTIONS ON CONTINUOUS MILEAGE STATIONING

DISTRICT 4
COUNTY STARK
ROUTE SR 627



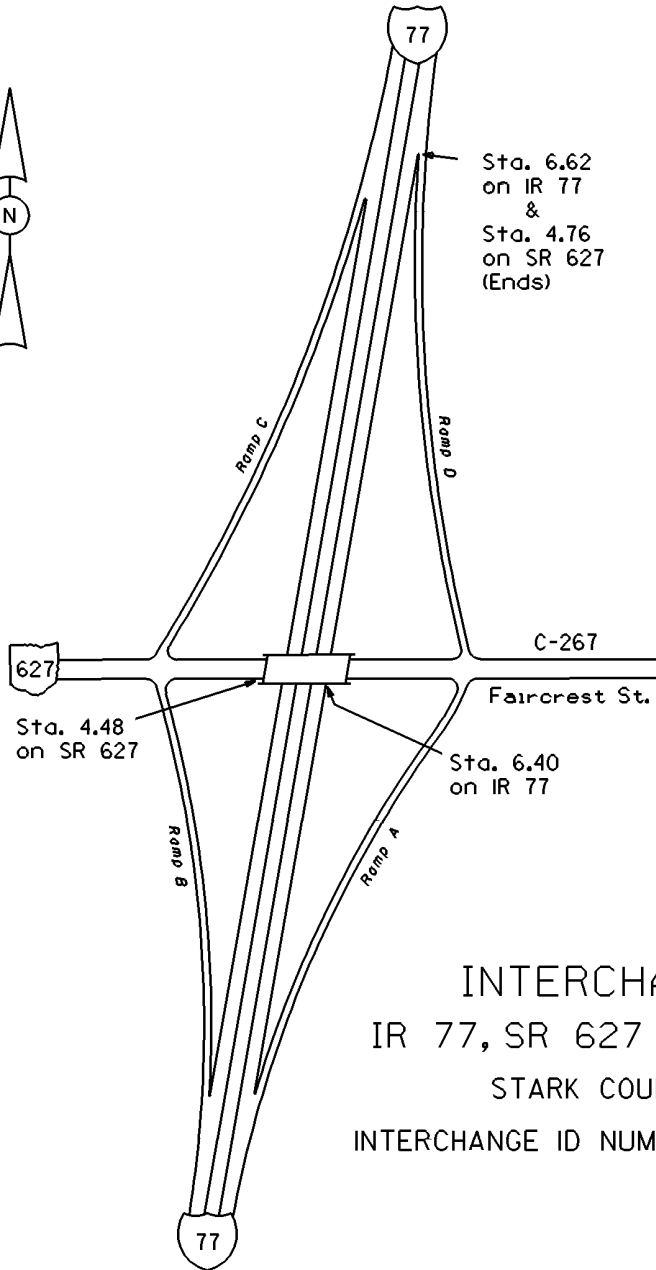
PERPETUATION





INTERCHANGE
 US 30,US 62,SR 627 & C-248
 STARK COUNTY
 INTERCHANGE ID NUMBER = 082100

US30 SHEET 2 OF 7
 SR627 SHEET 1 OF 1



Sta. 6.62
on IR 77
&
Sta. 4.76
on SR 627
(Ends)

627

C-267

Faircrest St.

Sta. 4.48
on SR 627

Sta. 6.40
on IR 77

Ramp C

Ramp D

Ramp B

Ramp A

77

INTERCHANGE
IR 77, SR 627 & C-267
STARK COUNTY
INTERCHANGE ID NUMBER = 081100

IR77 SHEET 2 OF 4
SR627 SHEET 1 OF 1