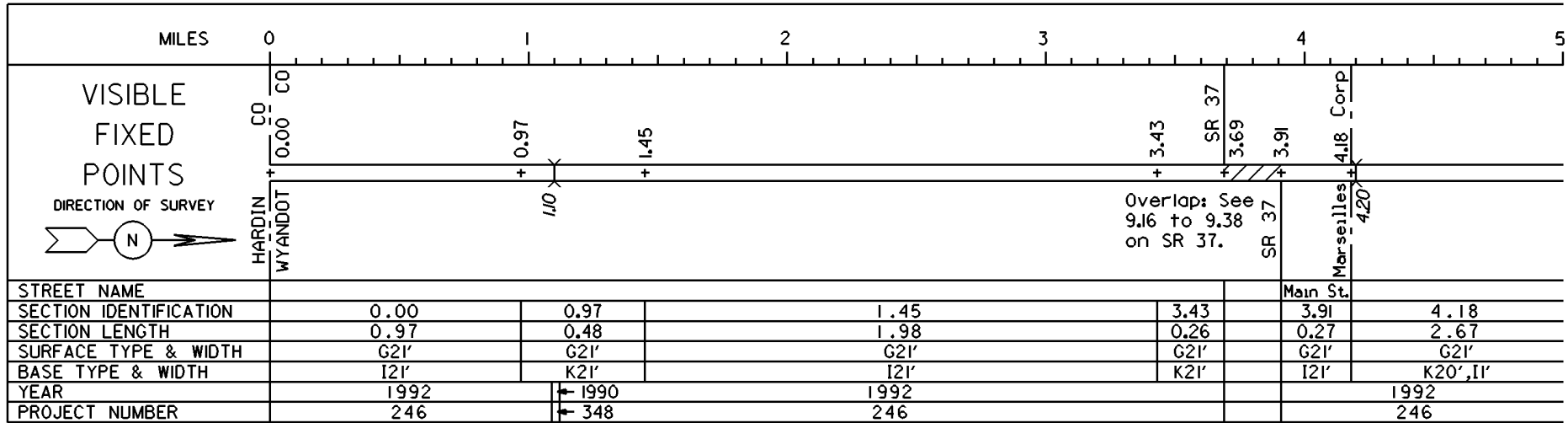
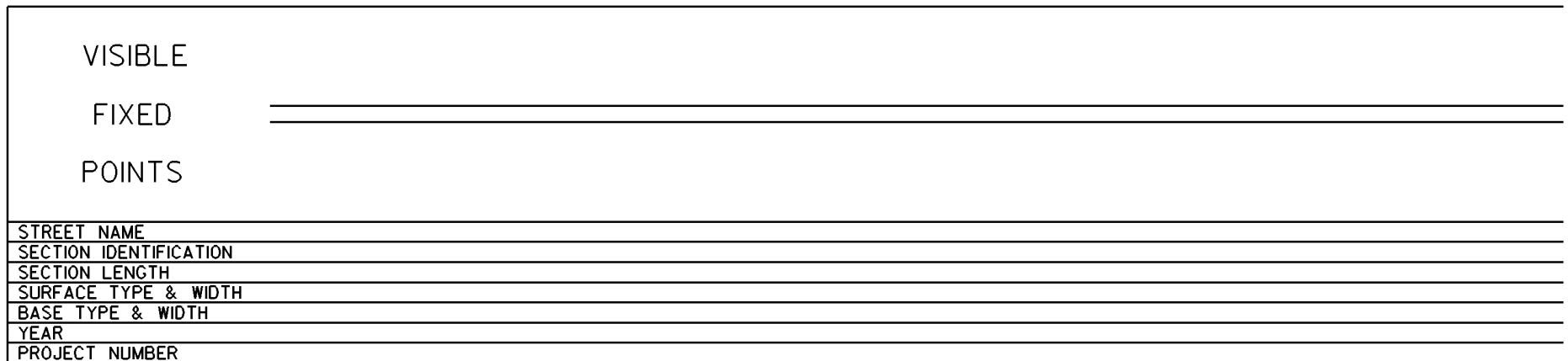
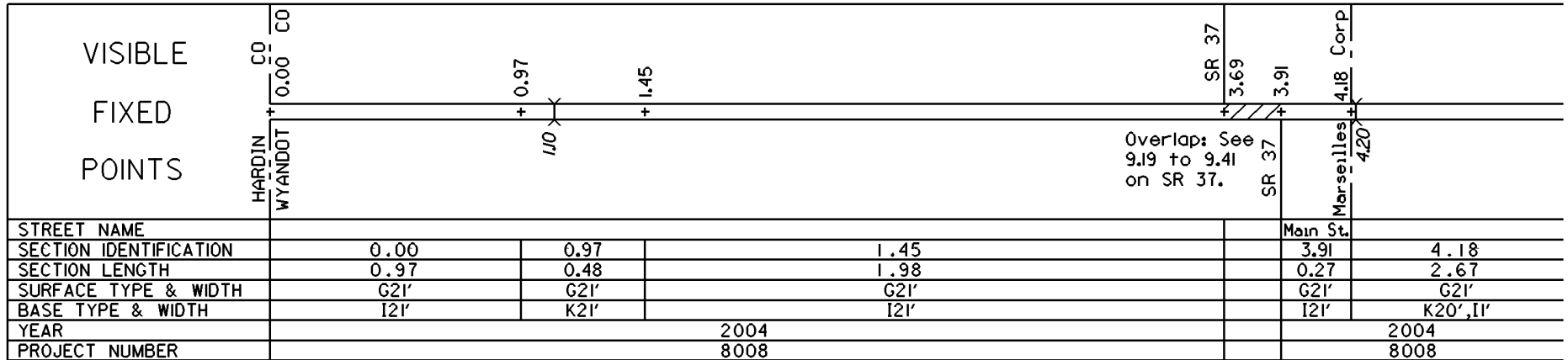


STATE OF OHIO - DEPARTMENT OF TRANSPORTATION
STATE ROUTE SECTIONS ON CONTINUOUS MILEAGE STATIONING

DISTRICT 1
COUNTY WYANDOT
ROUTE SR 67

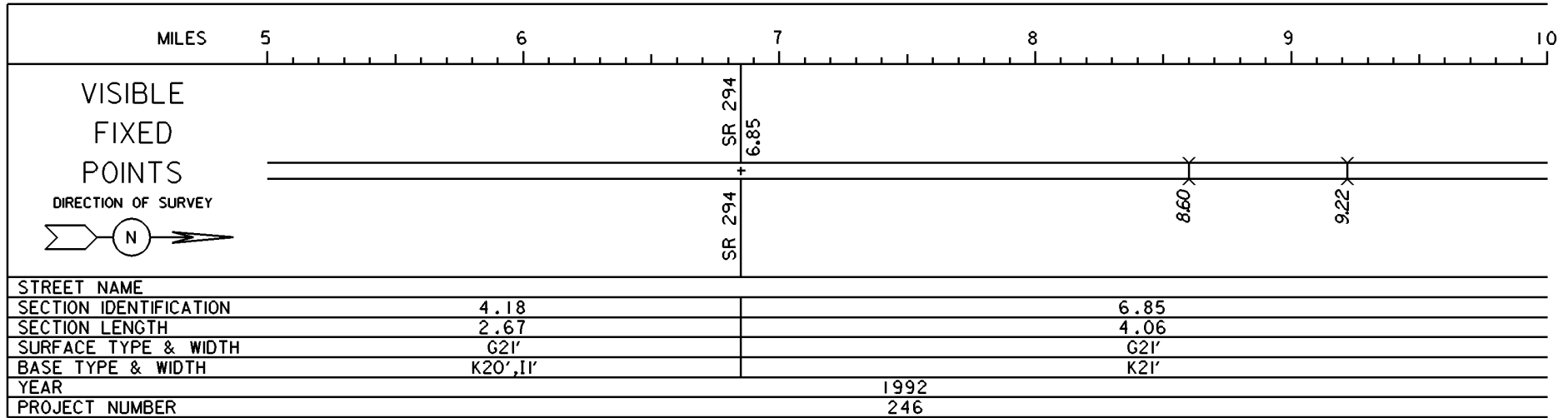


PERPETUATION

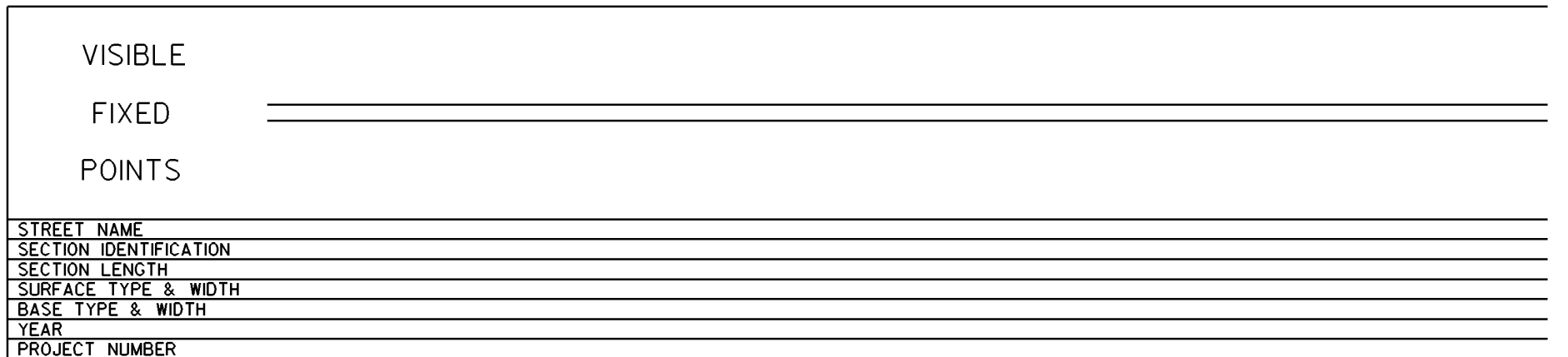
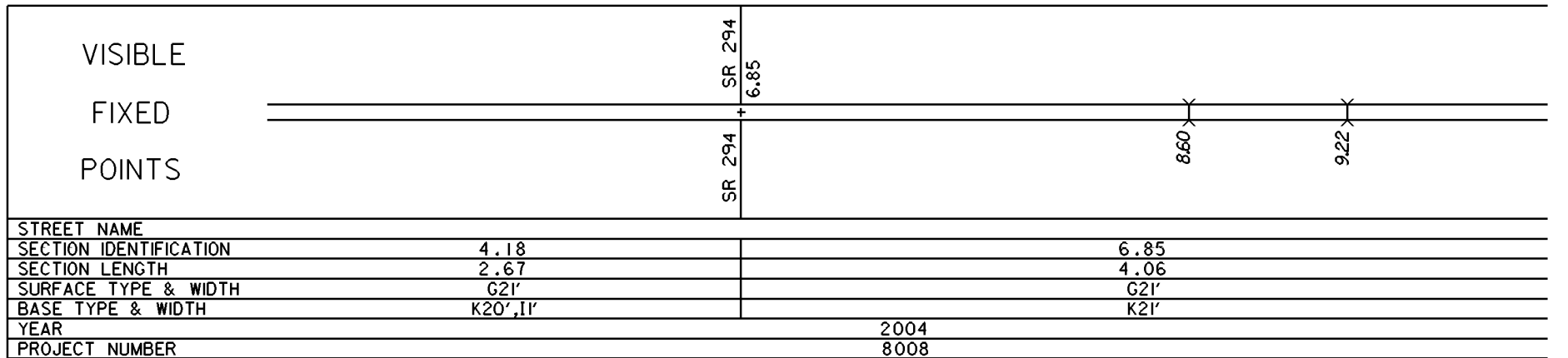


STATE OF OHIO - DEPARTMENT OF TRANSPORTATION
STATE ROUTE SECTIONS ON CONTINUOUS MILEAGE STATIONING

DISTRICT 1
COUNTY WYANDOT
ROUTE SR 67



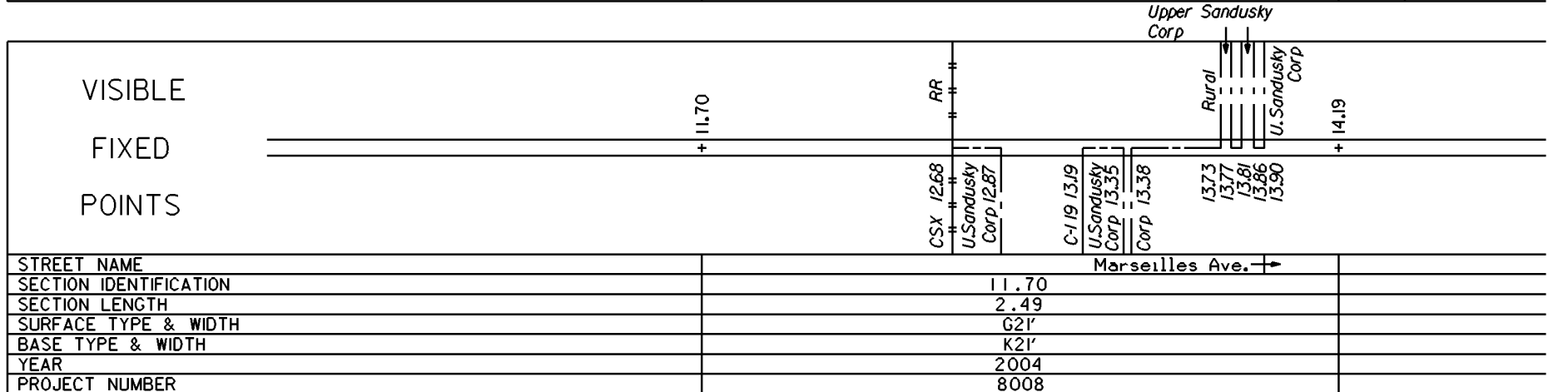
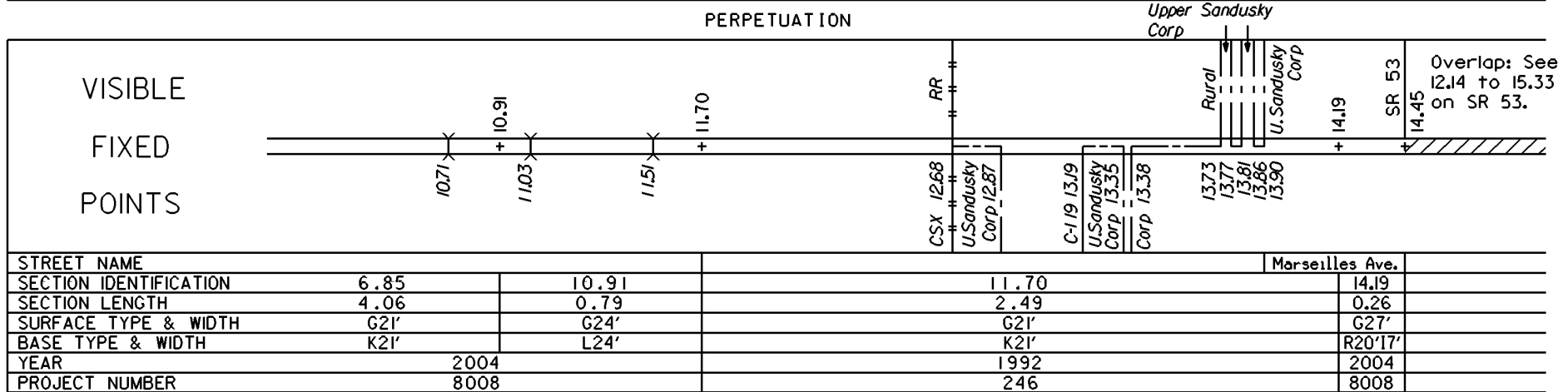
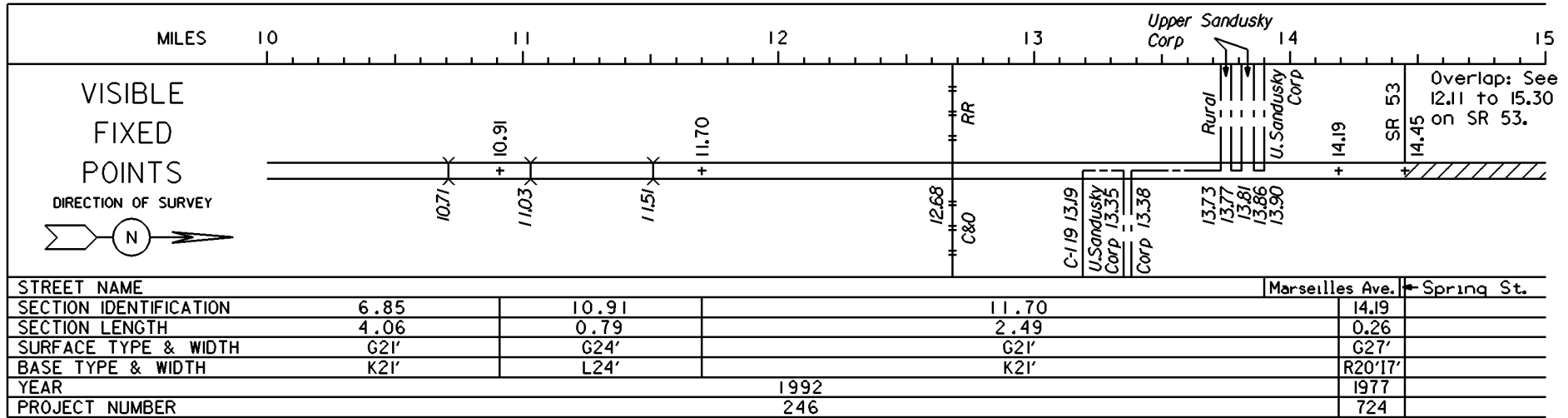
PERPETUATION



STATE OF OHIO - DEPARTMENT OF TRANSPORTATION

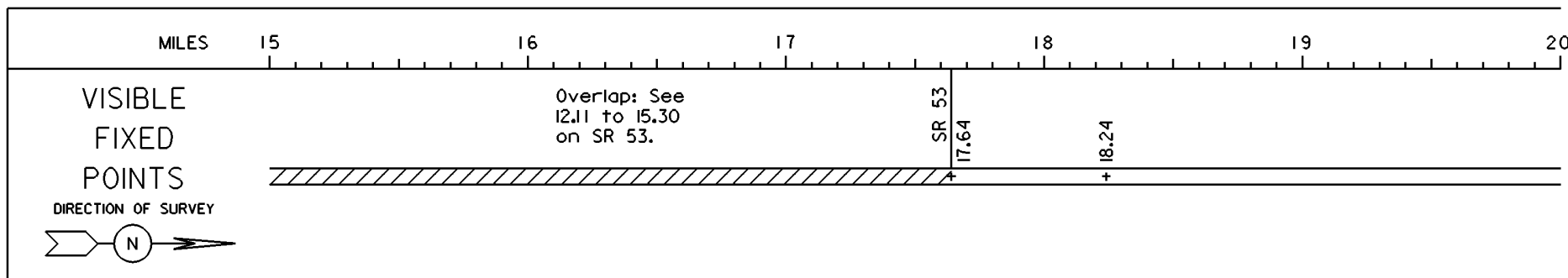
STATE ROUTE SECTIONS ON CONTINUOUS MILEAGE STATIONING

DISTRICT 1
 COUNTY WYANDOT
 ROUTE SR 67



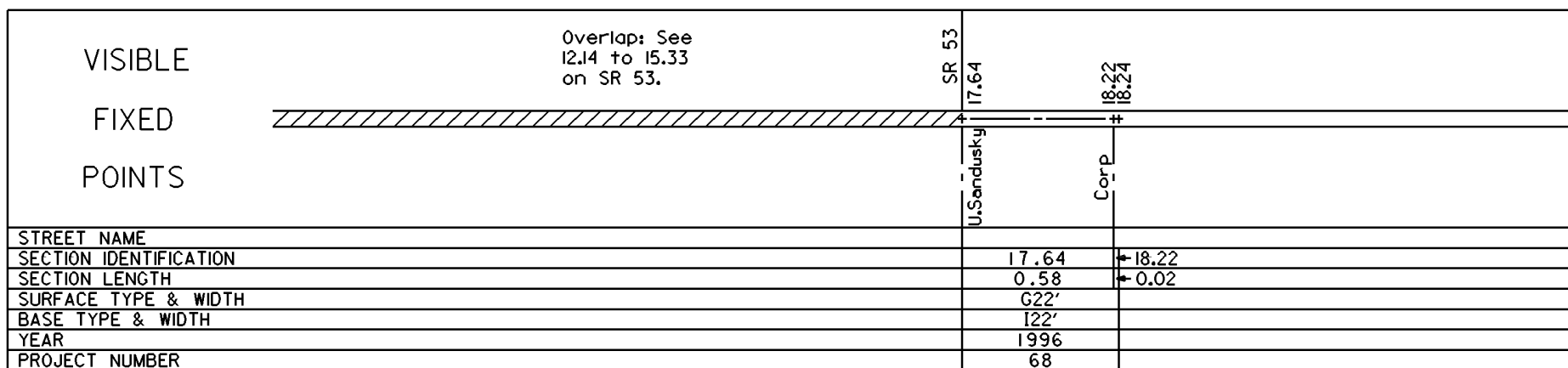
STATE OF OHIO - DEPARTMENT OF TRANSPORTATION
STATE ROUTE SECTIONS ON CONTINUOUS MILEAGE STATIONING

DISTRICT 1
COUNTY WYANDOT
ROUTE SR 67

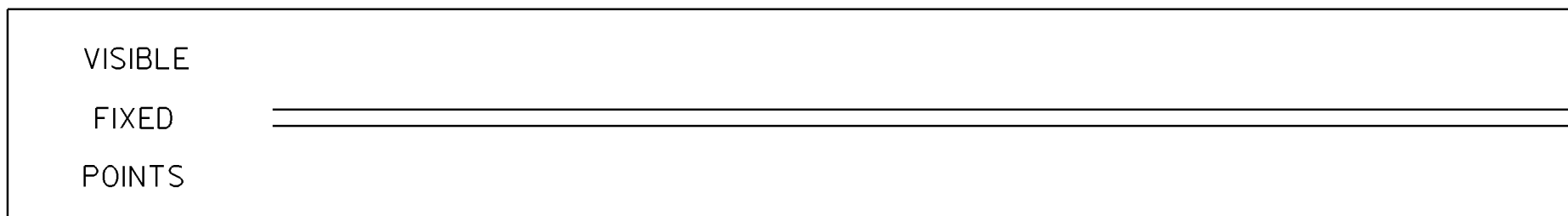


STREET NAME		
SECTION IDENTIFICATION	17.64	18.24
SECTION LENGTH	0.60	2.66
SURFACE TYPE & WIDTH	G22'	G22'
BASE TYPE & WIDTH	122'	K20', 12'
YEAR	1996	1992
PROJECT NUMBER	68	1039

PERPETUATION



STREET NAME		
SECTION IDENTIFICATION	17.64	# 18.22
SECTION LENGTH	0.58	# 0.02
SURFACE TYPE & WIDTH	G22'	
BASE TYPE & WIDTH	122'	
YEAR	1996	
PROJECT NUMBER	68	

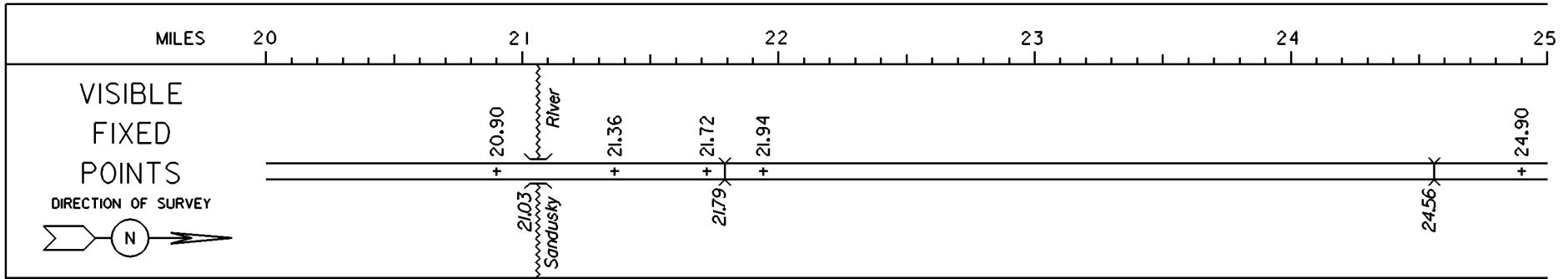


STREET NAME		
SECTION IDENTIFICATION		
SECTION LENGTH		
SURFACE TYPE & WIDTH		
BASE TYPE & WIDTH		
YEAR		
PROJECT NUMBER		

STATE OF OHIO - DEPARTMENT OF TRANSPORTATION

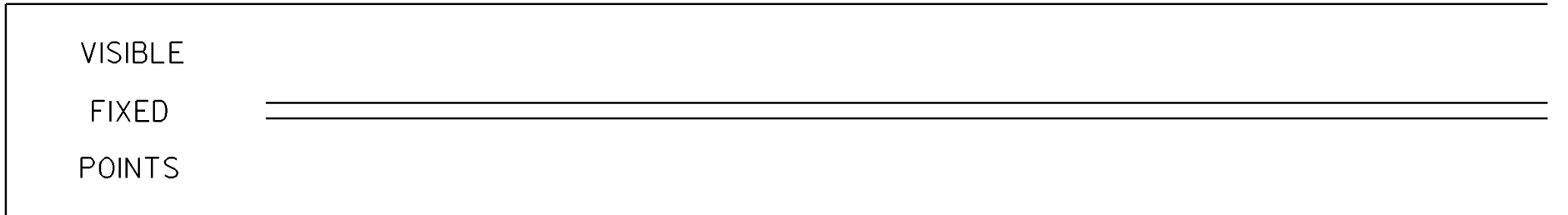
STATE ROUTE SECTIONS ON CONTINUOUS MILEAGE STATIONING

DISTRICT 1
 COUNTY WYANDOT
 ROUTE SR 67

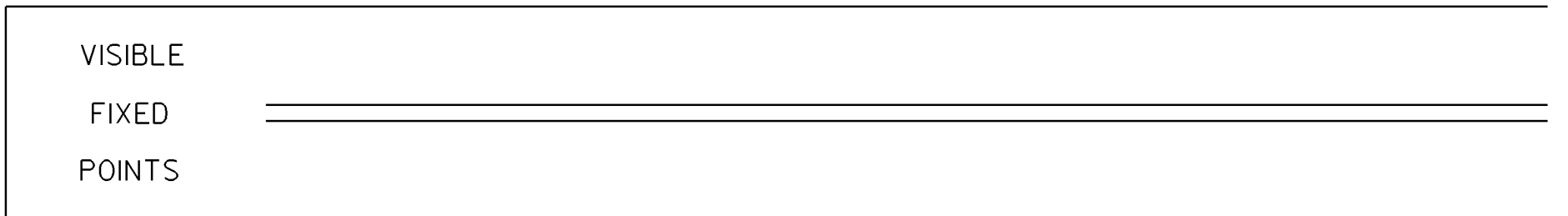


STREET NAME								
SECTION IDENTIFICATION	18.24	20.90	21.36	21.72		21.94		24.90
SECTION LENGTH	2.66	0.46	0.36	0.22		2.96		1.00
SURFACE TYPE & WIDTH	G22'	G22'	G22'	G24'		G22'		G22'
BASE TYPE & WIDTH	K20',12'	I22'	K20',12'	I24'		K20',12'		I22'
YEAR				1992			1996	1992
PROJECT NUMBER				1039			69	1039

PERPETUATION



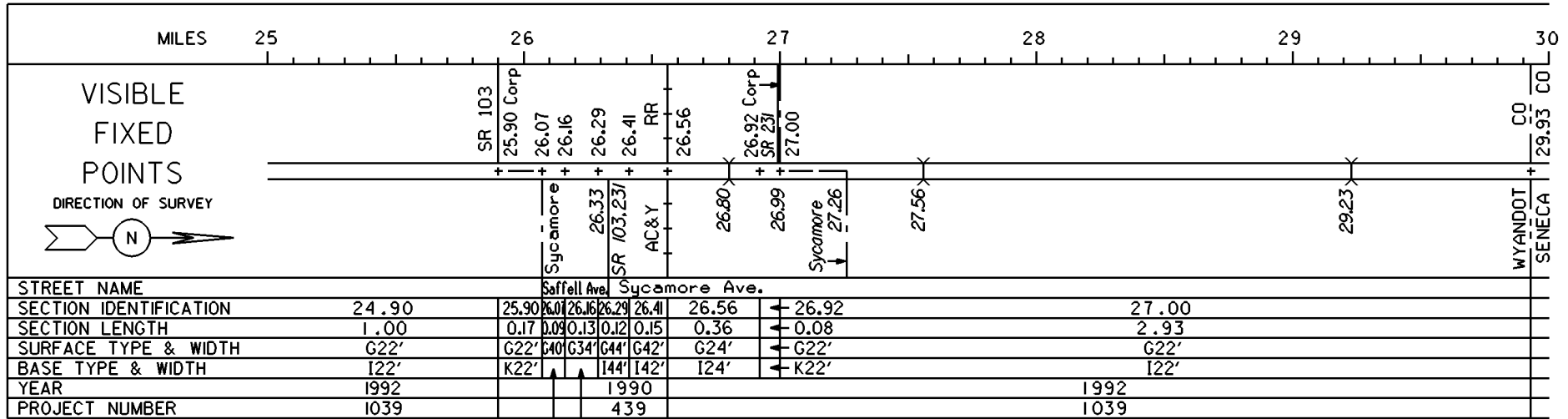
STREET NAME	
SECTION IDENTIFICATION	
SECTION LENGTH	
SURFACE TYPE & WIDTH	
BASE TYPE & WIDTH	
YEAR	
PROJECT NUMBER	



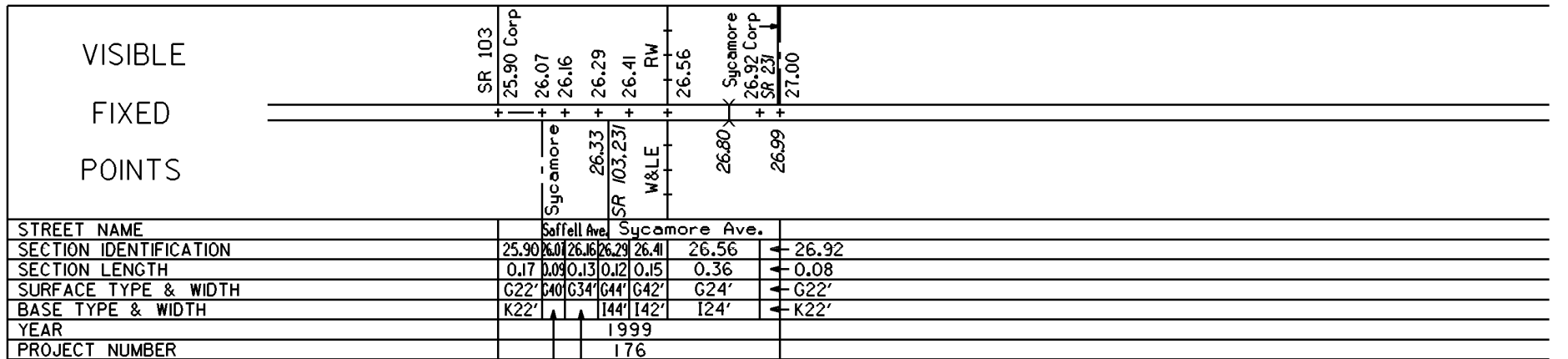
STREET NAME	
SECTION IDENTIFICATION	
SECTION LENGTH	
SURFACE TYPE & WIDTH	
BASE TYPE & WIDTH	
YEAR	
PROJECT NUMBER	

STATE OF OHIO - DEPARTMENT OF TRANSPORTATION
STATE ROUTE SECTIONS ON CONTINUOUS MILEAGE STATIONING

DISTRICT 1
COUNTY WYANDOT
ROUTE SR 67



T24',N16' PERPETUATION T24',N10'



T24',N16' T24',N10'

