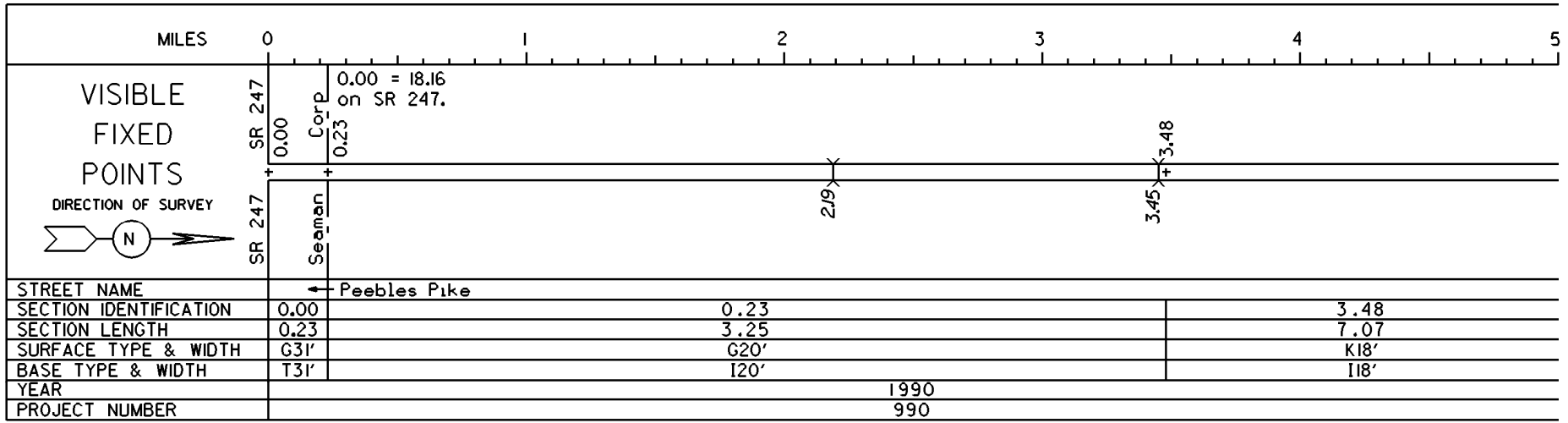


STATE OF OHIO - DEPARTMENT OF TRANSPORTATION

STATE ROUTE SECTIONS ON CONTINUOUS MILEAGE STATIONING

DISTRICT 9  
 COUNTY ADAMS  
 ROUTE SR 770



PERPETUATION

VISIBLE  
FIXED  
POINTS

---



---

STREET NAME  
 SECTION IDENTIFICATION  
 SECTION LENGTH  
 SURFACE TYPE & WIDTH  
 BASE TYPE & WIDTH  
 YEAR  
 PROJECT NUMBER

VISIBLE  
FIXED  
POINTS

---



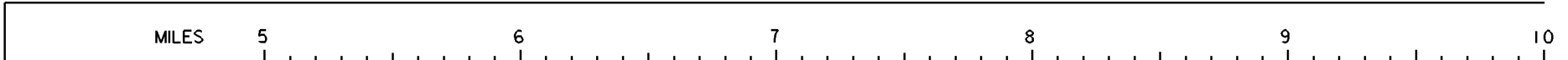
---

STREET NAME  
 SECTION IDENTIFICATION  
 SECTION LENGTH  
 SURFACE TYPE & WIDTH  
 BASE TYPE & WIDTH  
 YEAR  
 PROJECT NUMBER

STATE OF OHIO - DEPARTMENT OF TRANSPORTATION

STATE ROUTE SECTIONS ON CONTINUOUS MILEAGE STATIONING

DISTRICT 9  
 COUNTY ADAMS  
 ROUTE SR 770



VISIBLE  
 FIXED  
 POINTS

DIRECTION OF SURVEY



\_\_\_\_\_

\_\_\_\_\_

STREET NAME	
SECTION IDENTIFICATION	3.48
SECTION LENGTH	7.07
SURFACE TYPE & WIDTH	K18'
BASE TYPE & WIDTH	I18'
YEAR	1990
PROJECT NUMBER	990

PERPETUATION

VISIBLE  
 FIXED  
 POINTS

\_\_\_\_\_

\_\_\_\_\_

STREET NAME	
SECTION IDENTIFICATION	
SECTION LENGTH	
SURFACE TYPE & WIDTH	
BASE TYPE & WIDTH	
YEAR	
PROJECT NUMBER	

VISIBLE  
 FIXED  
 POINTS

\_\_\_\_\_

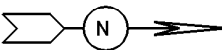
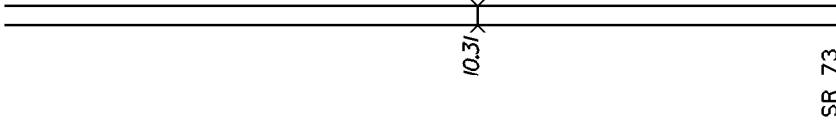
\_\_\_\_\_

STREET NAME	
SECTION IDENTIFICATION	
SECTION LENGTH	
SURFACE TYPE & WIDTH	
BASE TYPE & WIDTH	
YEAR	
PROJECT NUMBER	

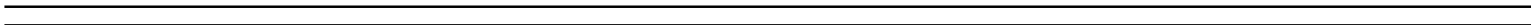
STATE OF OHIO - DEPARTMENT OF TRANSPORTATION


STATE ROUTE SECTIONS ON CONTINUOUS MILEAGE STATIONING

DISTRICT 9  
 COUNTY ADAMS  
 ROUTE SR 770

MILES	10.00	10.20	10.40	10.60	10.80	11.00	
VISIBLE FIXED POINTS DIRECTION OF SURVEY 				SR 73 10.55 SR 73	10.55 = 0.01 on SR 73.		
STREET NAME							
SECTION IDENTIFICATION		3.48					
SECTION LENGTH		7.07					
SURFACE TYPE & WIDTH		K18'					
BASE TYPE & WIDTH		I18'					
YEAR		1990					
PROJECT NUMBER		990					

PERPETUATION

VISIBLE FIXED POINTS						
STREET NAME						
SECTION IDENTIFICATION						
SECTION LENGTH						
SURFACE TYPE & WIDTH						
BASE TYPE & WIDTH						
YEAR						
PROJECT NUMBER						

VISIBLE FIXED POINTS						
STREET NAME						
SECTION IDENTIFICATION						
SECTION LENGTH						
SURFACE TYPE & WIDTH						
BASE TYPE & WIDTH						
YEAR						
PROJECT NUMBER						