

TEMPORARY SIGN SUPPORT REQUIREMENTS

PLACEMENT OF SIGNS

- 1A. Lateral placement to nearest edge of signs shall be as follows:
- a) On the right side of the road for approaching traffic (except for dual-mounted signs and signs designated in the plans for left-side mounting).
 - b) Curbed roadway - minimum 2' behind face of curb.
 - c) Uncurbed roadway - 12' from edge of traffic lane or 6' from edge of paved or useable shoulder, whichever is greater.
 - d) Behind guardrail or portable barrier - See table

SIGN OFFSET

Barrier Type Support Class	BEHIND FACE OF GUARDRAIL	BEHIND FACE OF PORTABLE BARRIER
Class A Supports	2' Preferred 1' Minimum	1' Minimum*
Class B Supports	6.5' Minimum	1' Minimum*

*unless barrier top mounting is required by the plans

- 1B. Vertical clearance of signs, as measured from near side roadway edge, shall be as follows:
- a) Rural - 5' when parked cars, construction equipment, etc. will not obscure sign visibility.
 - b) Rural areas with parked cars or construction equipment - 7'
 - c) Urban - 7'
 - d) Care shall be taken to assure that signs will not be obscured by construction equipment, trees, weeds or other obstacles. Brush, weeds or grass within the right-of-way shall be trimmed as necessary.
 - e) For signing which will remain for three days or less, minimum vertical clearance shall be 1' from the roadway to bottom of sign.

CLASSES OF SUPPORTS

- 2A. The Contractor shall choose sign supports of adequate strength and with adequate foundations and anchorage to support the sign sizes erected. Sign supports which fail under typical wind load conditions shall be immediately modified or replaced with a support of adequate strength.
- 2B. All temporary sign supports shall be of the following types:

CLASS A:

Class A supports shall include the following:

- a) All No. 2 and No. 3 posts when installed singly or in pairs (side-by-side) according to the details of Standard Construction Drawings (SCDs) TC-41.10 and TC-41.20.
- b) Wood posts as shown in Solid Wood Posts detail.
- c) All breakaway connection beam supports, when installed according to the proper details shown on SCD TC-41.10 with a minimum clear distance between supports of 7' for supports larger than 6 x 9.
- d) Any breakaway post or post and connection which are certified as per CMS 614.03.
- e) Portable supports.

Use of Class A supports shall be required at unprotected locations on ODOT's roadway system. They may also be used on other roadway systems.

CLASS B:

Class B supports shall include the following:

- a) All beam type supports without breakaway connections.
- b) Supports similar to but larger than permitted for Class A.

Class B supports shall be used only at the following locations:

- a) Within the clear zone where protected by guardrail or concrete barrier or where positively protected from traffic such as on retaining walls.
- b) Outside the clear zone.

- 2C. All Class A and B supports shall be MASH complaint (or NCHRP 350 compliant if used on or before 12/31/2024).

SUPPORTS AND SIGNS

- 3A. Supports for signs which will remain in place more than three days should be fixed rather than portable except in situations where the sign must rest on permanent pavement or other surface which would be damaged by insertion of post type supports.
- 3B. Portable signing, including portable supports, ballasting of the supports, and signs shall be MASH compliant (or NCHRP 350 compliant if used on or before 12/31/2024).
- 3C. Ballasting of portable supports shall be in accordance with NCHRP 350 or MASH testing of the subject support.

THIS DRAWING REPLACES MT-105.10 DATED 07-19-2013.

SCD NUMBER

MT - 105.10

STANDARD ROADWAY CONSTRUCTION DRAWING

TEMPORARY SIGN SUPPORT

**OFFICE OF
ROADWAY
ENGINEERING**

STATE
ENGINEER

Stargell

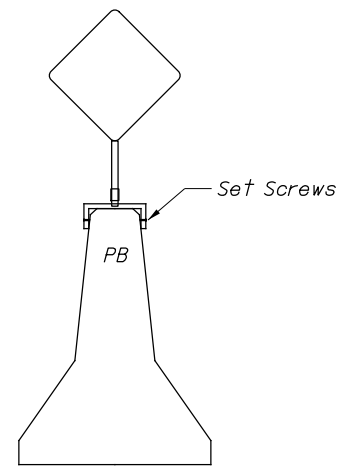
STATE OF OHIO DEPARTMENT OF
TRANSPORTATION ADMINISTRATOR

David L. Holistein

REVISION DATE

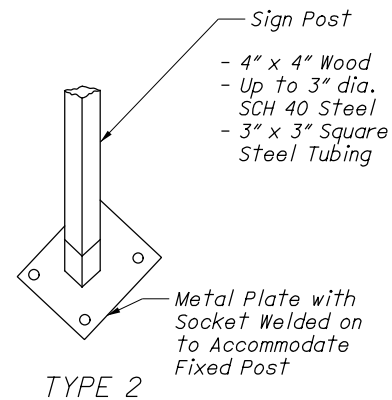
01-17-2020

CLASS A SUPPORTS FIXED



TYPE 1

Fasten to Top of PB with Expansion Bolts, etc.



TYPE 2

- Sign Post
- 4" x 4" Wood
- Up to 3" dia. SCH 40 Steel
- 3" x 3" Square Steel Tubing

Metal Plate with Socket Welded on to Accommodate Fixed Post

SOLID WOOD POSTS

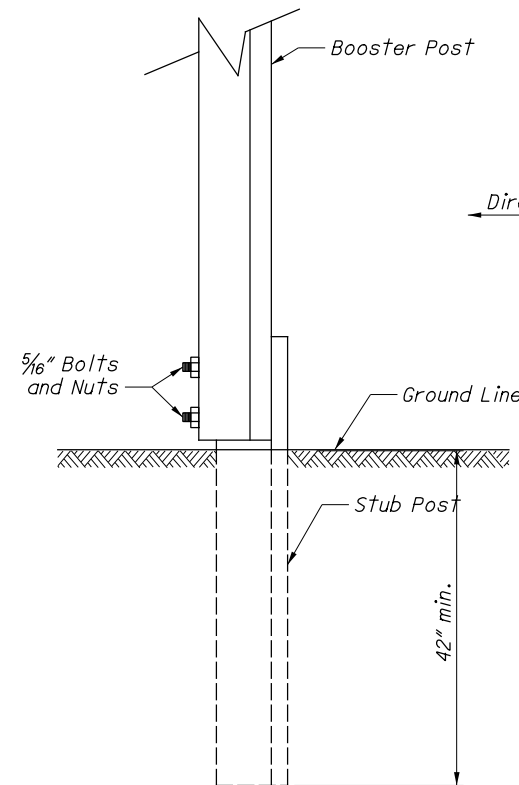


TOP VIEW

When flat sheet signing is provided, bolt the flat sheet directly to the wood posts. Do not use U-Channels.

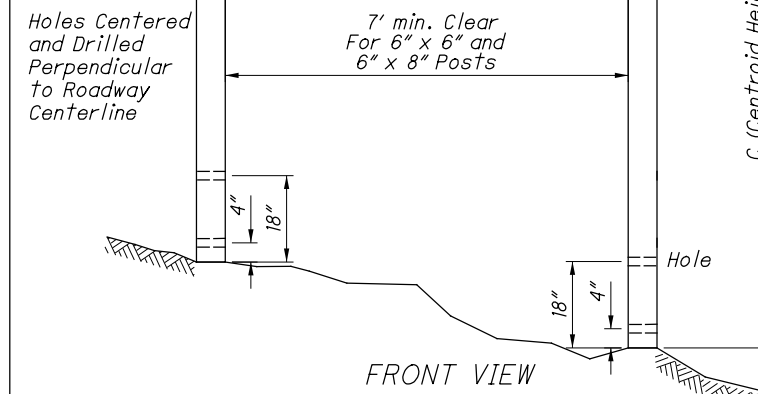
NORMAL POST SIZE (IN)	HOLE DIAMETER (IN)	NO. OF POSTS PERMITTED IN 7' PATH IN EXPOSED LOCATIONS	MINIMUM RECOMMENDED EMBEDMENT DEPTH (FT)
4 X 4	NONE	2	3.5
4 X 6	1 1/2	2	4
6 X 6	2	1	4.5
6 X 8	3	1	5

CLASS A SUPPORTS STUBBING STANDARD



NOTES:

1. For use with No. 2 or No. 3 posts.
2. Booster post shall be the same or 1 lb/ft less than stub post.
3. When the booster post is smaller than the stub post, the booster post shall be mounted in front of the stub post.
4. When the booster post is the same size as the stub post, the booster post shall be mounted behind the stub post.
5. Bolts and nuts and other fasteners shall be steel or aluminum.
6. A minimum of two bolts and nuts or other fasteners shall be used per post assembly.
7. With steel bolts, the minimum center-to-center spacing between bolts shall be 4".
8. Stub height should be limited to 4" above the ground when using the aluminum bolts for the connection.



FRONT VIEW

DESIGN CHART FOR WOOD POSTS TWO-POST INSTALLATIONS

(Nominal Post Size in Inches)

