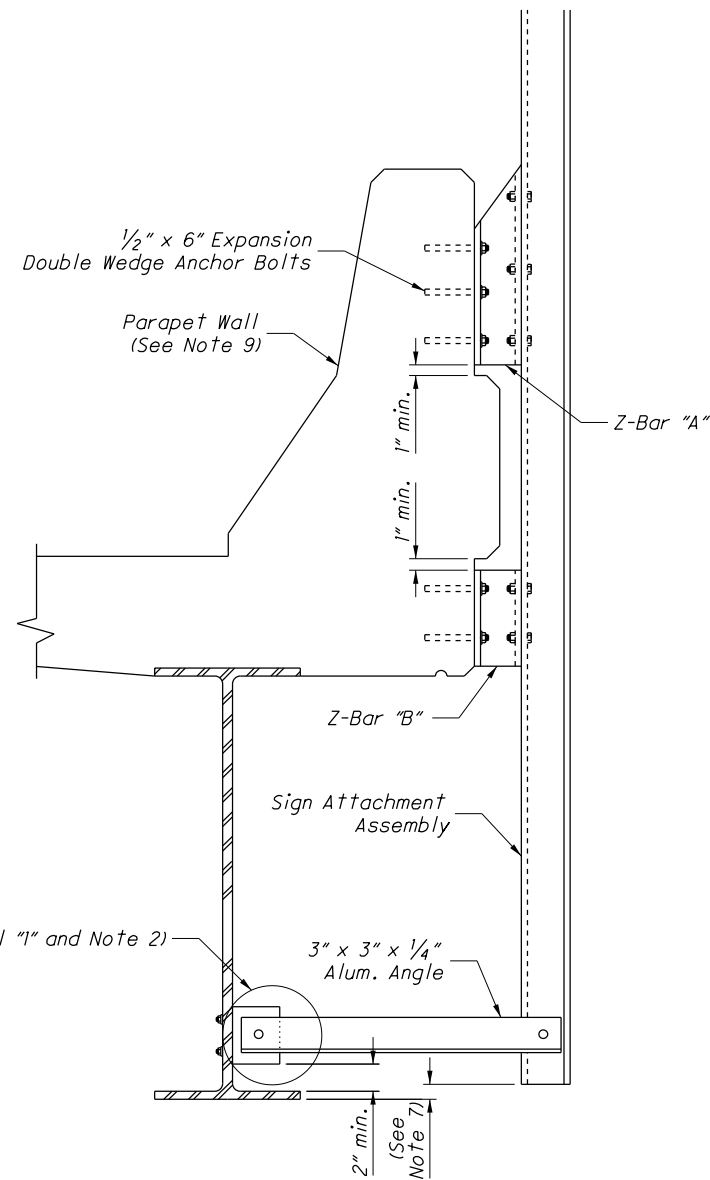


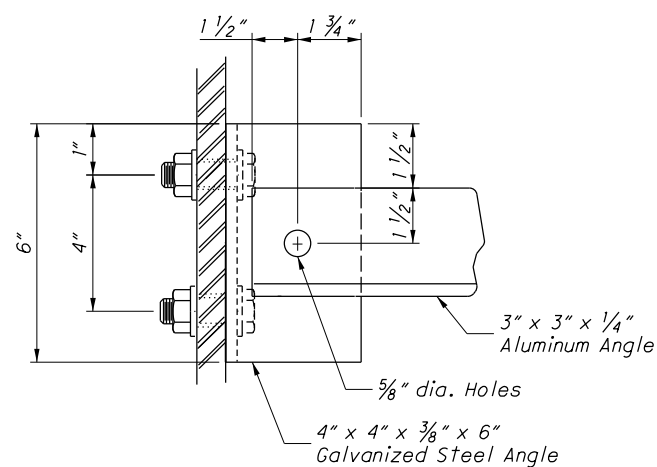
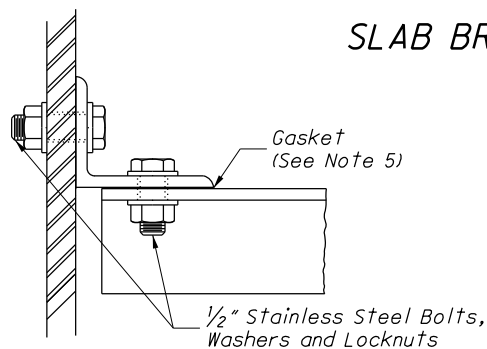
SLAB BRIDGE MOUNT



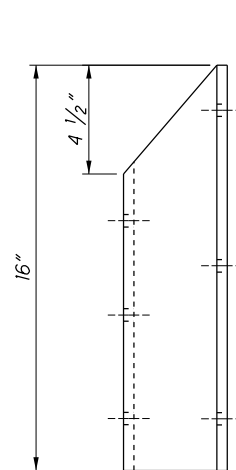
BEAM BRIDGE MOUNT

NOTES:

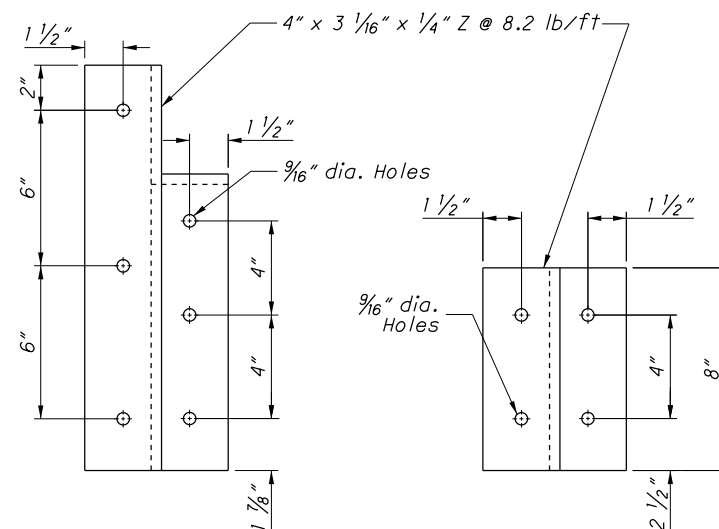
1. This support is intended for use with concrete bridge railing parapet types shown on Standard Construction Drawings (SCDs) BR-1, BR-2-98, and SBR-1-99.
2. On pre-cast concrete beam bridges, attach the angle to the beam with two 1/2" x 6" expansion double wedge anchor bolts. The proposed locations of anchors in prestressed beams shall be approved by the Engineer prior to any field drilling.
3. For sign attachment assemblies to be furnished with this support, see SCD TC-22.20.
4. All hardware, including expansion bolts, shall be stainless steel.
5. Prevent contact between aluminum and galvanized parts with a minimum 1/16" thick chloroprene gasket or approved equal. Also install a gasket between galvanized steel and concrete.
6. Install all sign brackets at the same elevation by adjusting their position on Z-Bar "A" and "B", regardless of bridge slope.
7. For bridge clearance above roadway of less than 17', the clearance above bottom of bridge shall be 3" minimum without, or 15" minimum with, sign lighting fixtures.
8. The outer flange of the sign attachment assembly aluminum zee brackets may be oriented in either direction. However, at least one zee bracket per each individual sign shall be oriented with the outer flange in the opposite direction of the others.
9. Parapet design may vary.



DETAIL "1"



Z-BAR "A"
(GALVANIZED STEEL)



Z-BAR "B"
(GALVANIZED STEEL)