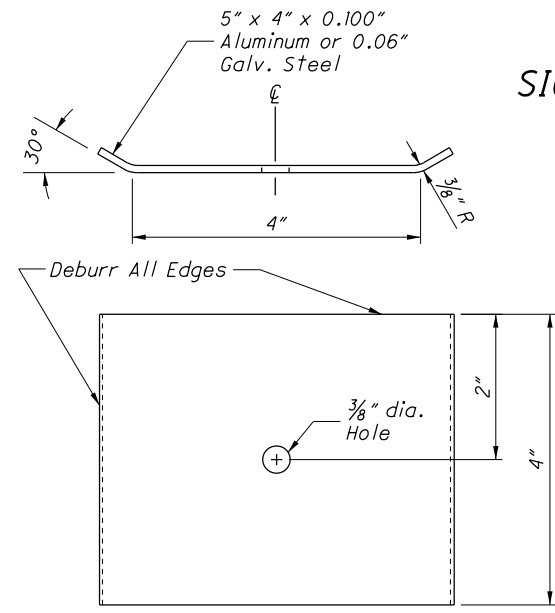
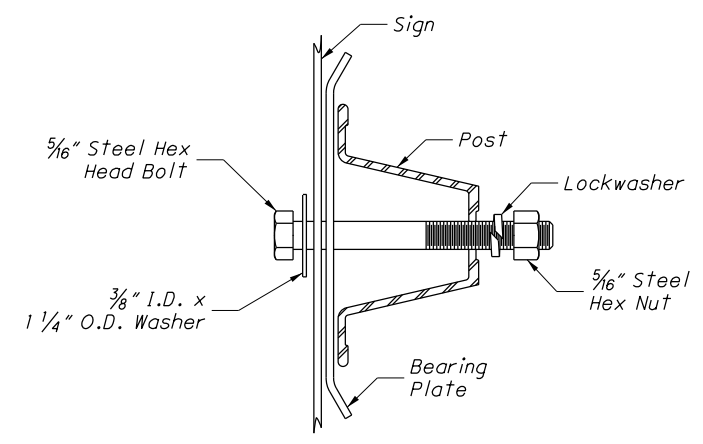


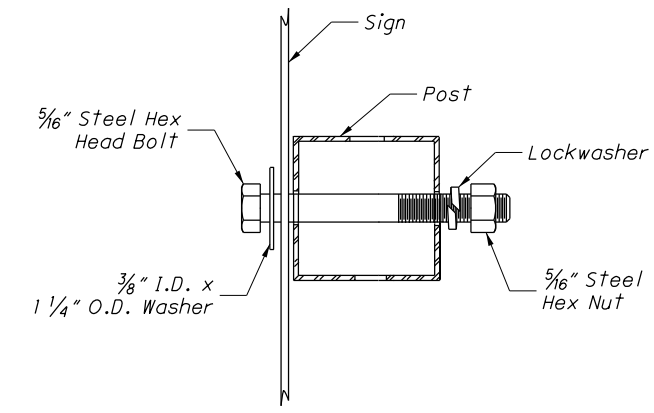
POST NO.	TYPE	LB/FT	POST DIMENSIONS (INCHES)			ANCHOR DIMENSIONS			# OF POSTS PERMITTED IN 7' PATH IN EXPOSED LOCATIONS
			A	B	C	A	B	C	
1	F	1.12	0.875	2.063	0.813				
2	P	2.00	1.469	3.063	1.281				2
	F	2.00	1.516	3.125	1.250				2
	S		1.750	1.750	0.083	2.000	2.000	0.105	2
3	P	3.00	1.875	3.500	1.313				2
	F	3.00	1.750	3.500	1.625				2
	S		2.00	2.00	0.083	2.250	2.250	0.105	2
4	P	4.00	TWO NO.2 POST						0
	F	4.00	TWO NO.2 POST						0
	S		2.500	2.500	0.105	3.000	3.000	0.188	1
6	P	6.00	TWO NO.3 POST						0
	F	6.00	TWO NO.3 POST						0



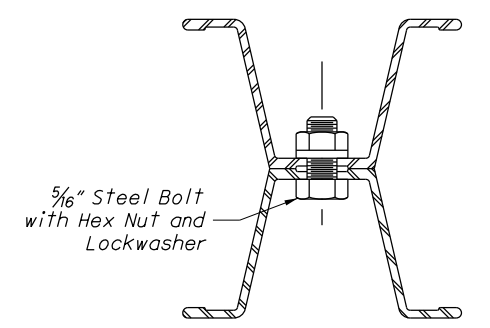
BEARING PLATE



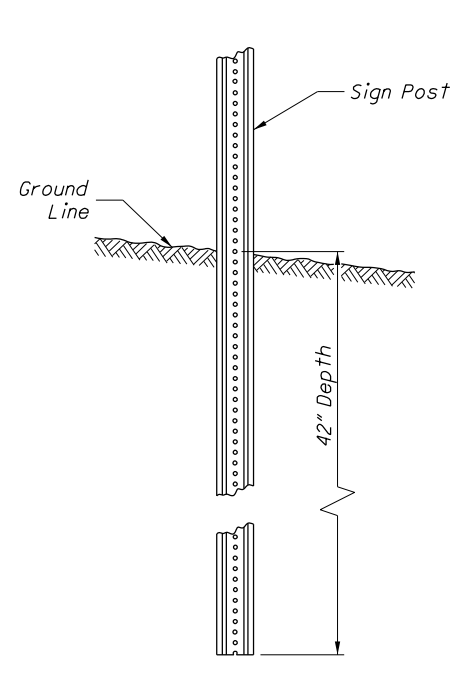
U-CHANNEL SIGN ATTACHMENT DETAIL



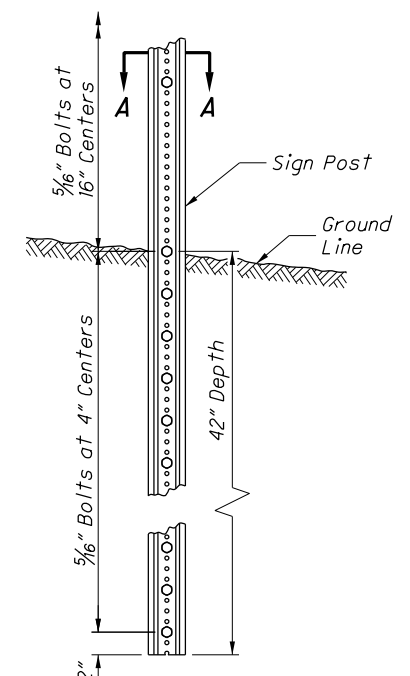
SQUARE POST SIGN ATTACHMENT DETAIL



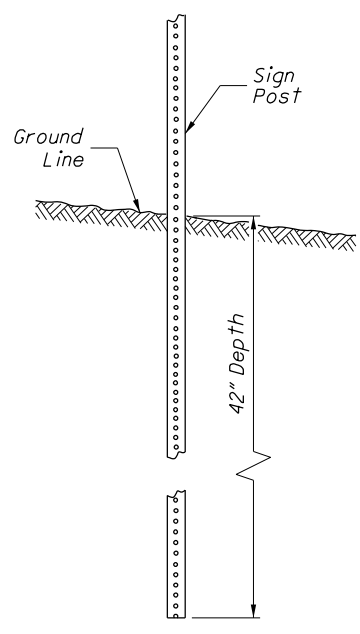
SECTION A-A



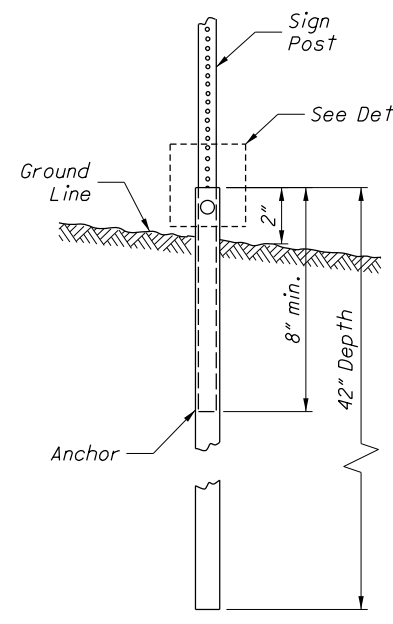
TYPICAL NO. 1, NO. 2 AND NO. 3 U-CHANNEL DRIVEN INSTALLATION



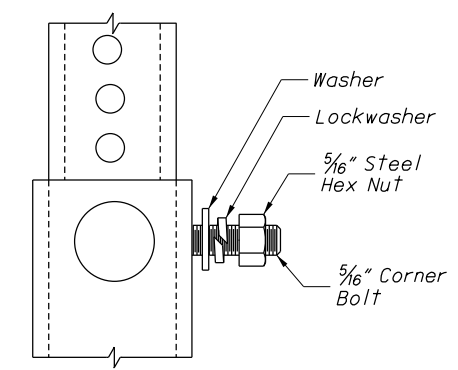
TYPICAL NO. 4 AND NO. 6 U-CHANNEL DRIVEN INSTALLATION



TYPICAL SQUARE POST DRIVEN INSTALLATION



TYPICAL SQUARE POST ANCHOR BASE INSTALLATION



DETAIL "A"

NOTES:

1. Install No. 4 type P and F posts, and No. 6 type P and F posts, only in protected locations (e.g., behind guardrail). Install two post installations of number 4 type S posts within 7 foot path only in protected locations.
2. Use of anchor base with No. 2 and No. 3 square post is optional. Use of anchor base with No. 4 square post is required.
3. Square post may have die-cut knockouts or open holes.

THIS DRAWING REPLACES TC-41.20 DATED 01-19-2001.

SD NUMBER
TC-41.20

STANDARD ROADWAY CONSTRUCTION DRAWING
YIELDING POST

OFFICE OF ROADWAY ENGINEERING

STATE ENGINEER
H. Suter

STATE OF OHIO DEPARTMENT OF TRANSPORTATION ADMINISTRATOR
James Young

REVISION DATE
10-18-2013