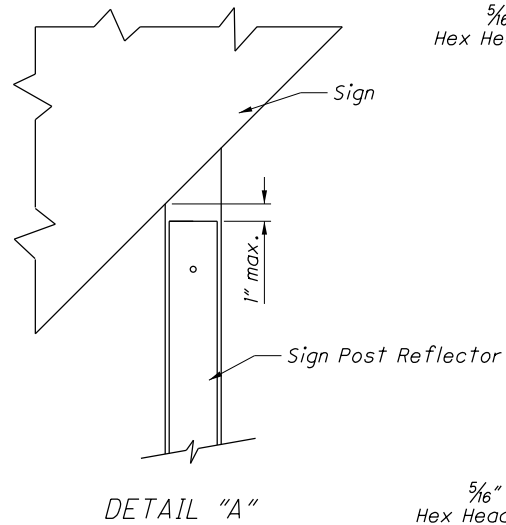
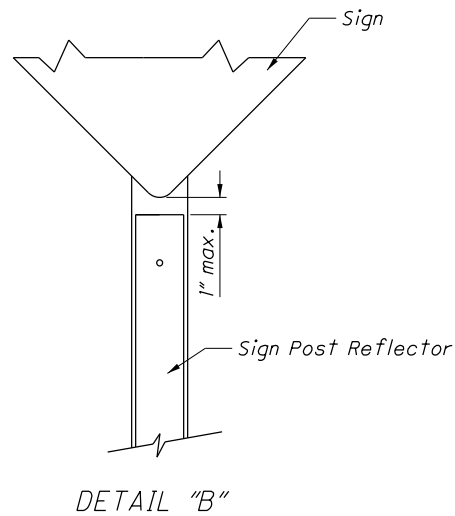


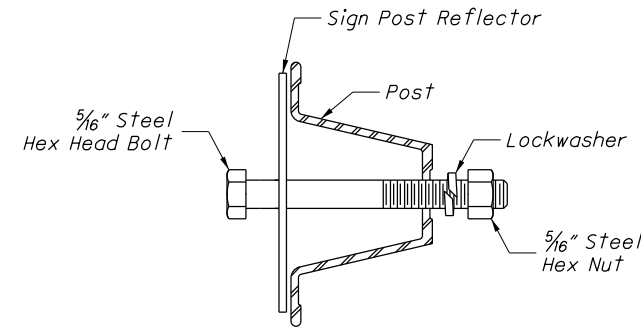
SIGN POST REFLECTORS
FRONT VIEW



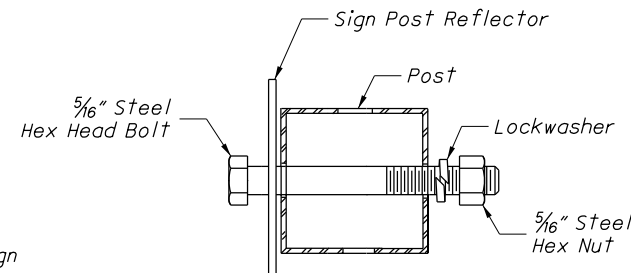
DETAIL "A"



DETAIL "B"



U-CHANNEL
ATTACHMENT DETAIL



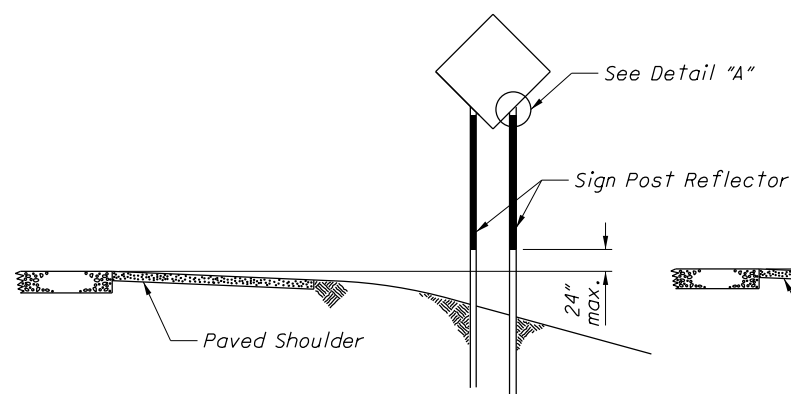
SQUARE POST
ATTACHMENT DETAIL

NOTES:

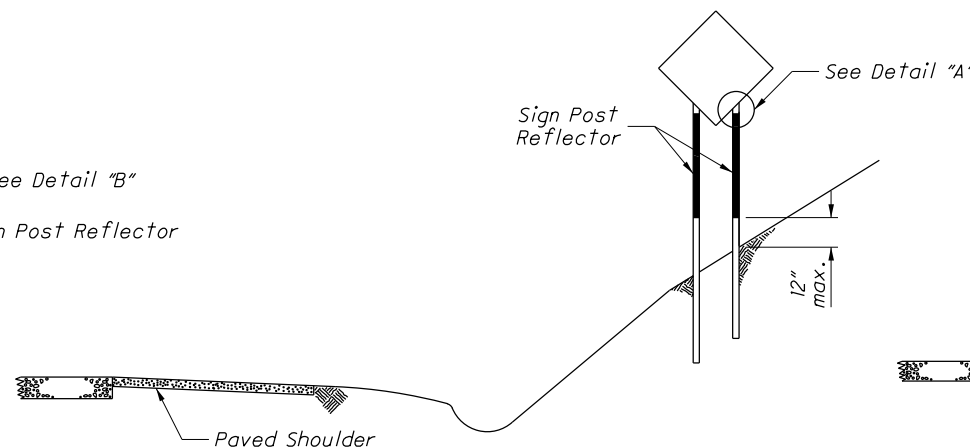
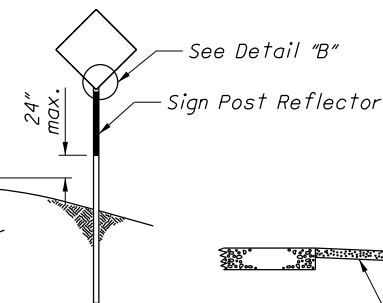
1. Fabricate sign post reflectors out of 0.080" thick flat sheet aluminum. Drill or punch 3/8" diameter bolt holes to a tolerance between holes of $\pm 1/32$ ". Apply reflective sheeting to the surface of the aluminum.
2. Reflectorize the sign post from within 1" of the bottom of the sign down to 24" above the near edge of pavement or lower, using any combination of the standard lengths shown (see Table). Where this cannot be achieved due to the local ground profile, reflectorize the post to within 12" of the ground.
3. When using multiple sections of sign post reflector to achieve the required length of reflectorization, do not leave gaps between sections. The sign post reflectorization should appear as a continuous strip.
4. Do not allow the sign post reflector to overlap the sign.
5. For multiple post installations, install the same length sign post reflector on each post.
6. For back-to-back installations of signs requiring sign post reflectorization, install sign post reflectors on both sides of the posts.
7. Install sign post reflectors matching the background color of the sign, except that the color of the reflector for the YIELD (R1-2) and DO NOT ENTER (R5-1) signs shall be red.

ACTUAL SIGN MOUNTING HEIGHT *	MINIMUM LENGTH SIGN POST REFLECTORIZATION
Up to 6'	4'
Over 6' to 7'	5'
Over 7' to 8'	6'
Over 8' to 9'	7'
Over 9' up 10'	8'
Over 10'	See note 3

* Not the minimum allowable sign mounting height



TYPICAL INSTALLATION DETAILS



INSTALLATION DETAILS FOR CUT SECTION

(See Note 3)