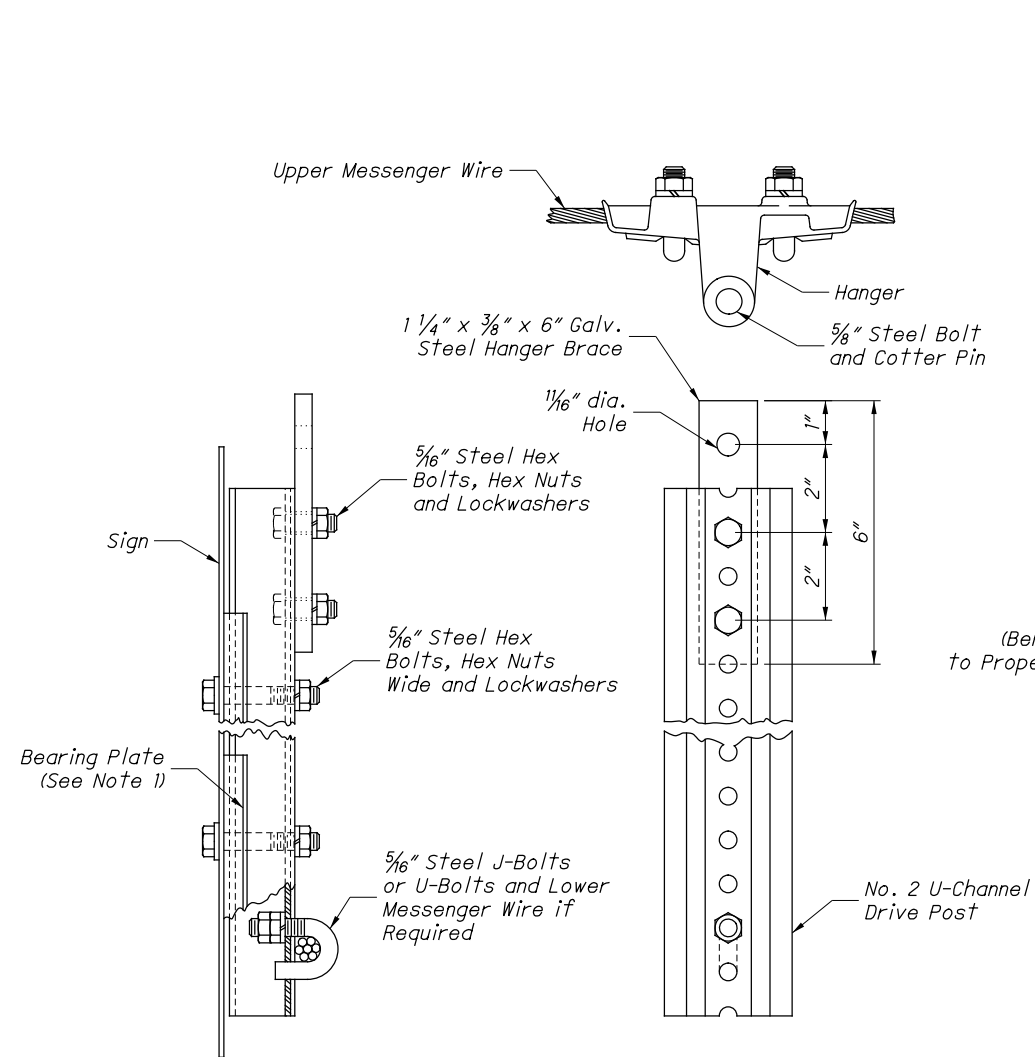
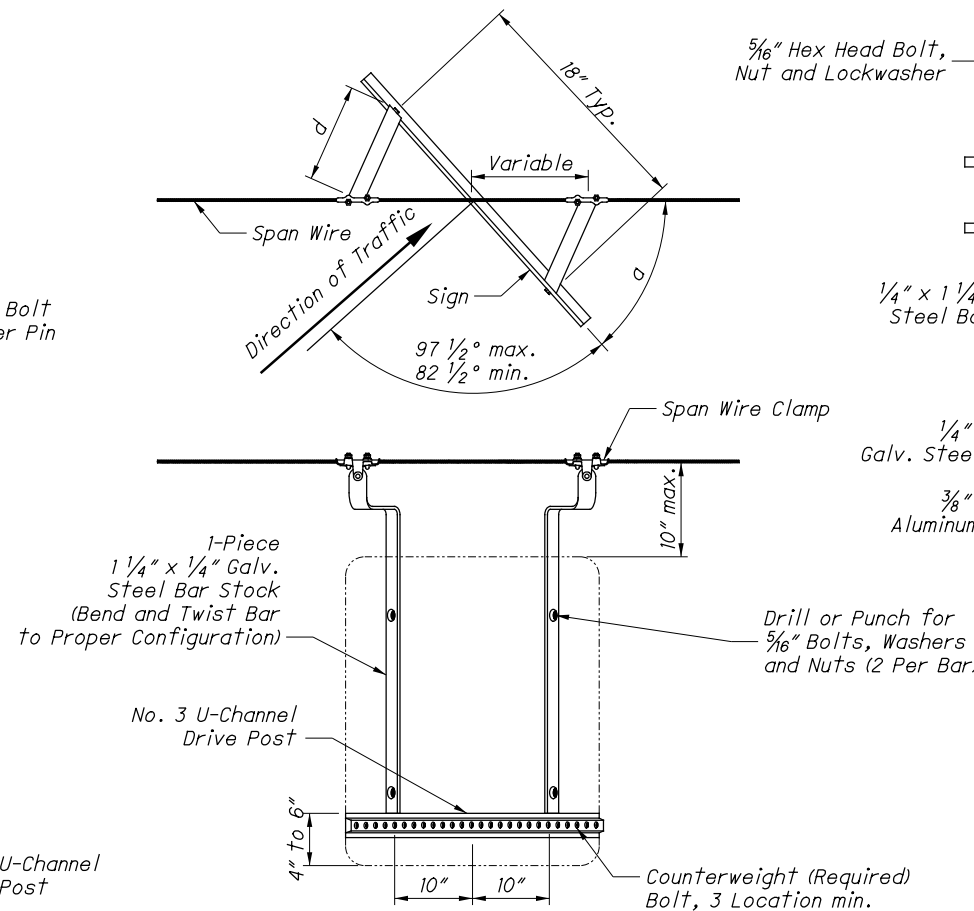


**NOTES:**

1. Use bearing plates conforming to details on Standard Construction Drawing TC-41.20.

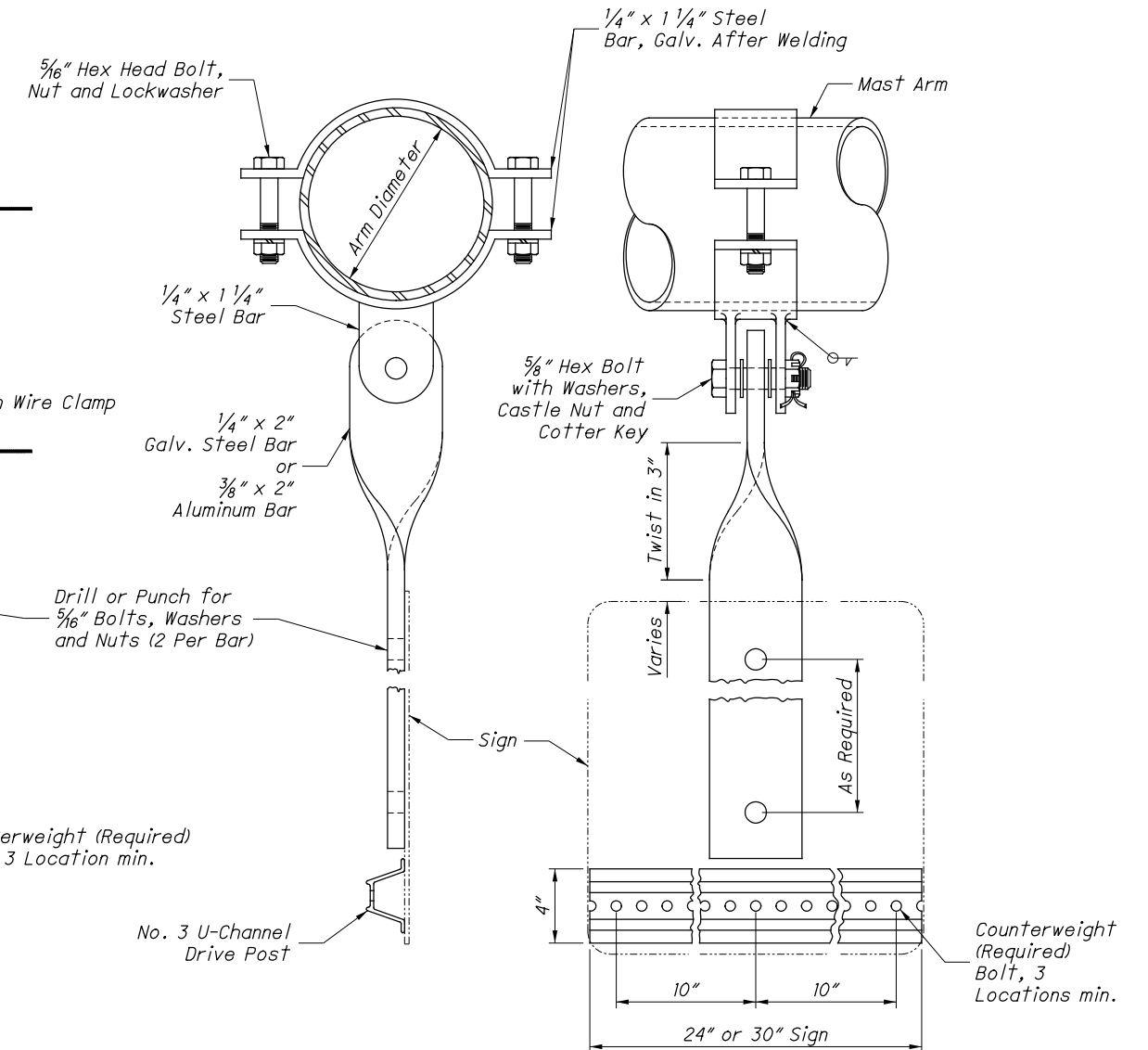


**SIGN HANGER ASSEMBLY, SPAN WIRE TYPE 1 (Typ.)**



a	d (in)
0°	0
15°	2.4
30°	4.7
45°	6.9
60°	9

**SIGN HANGER ASSEMBLY, SPAN WIRE TYPE 2 (Typ.)**



**SIGN HANGER ASSEMBLY, MAST ARM (Typ.)**