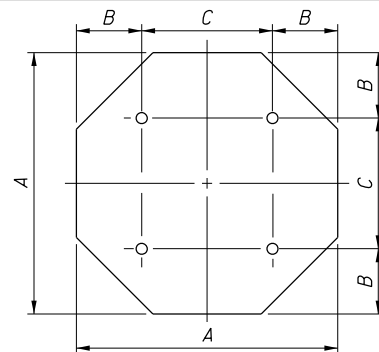


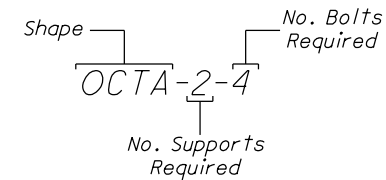
OCTA-1-2

A	B	C	THICKNESS	AREA (FT ²)
18	3	12	0.080	2.25
24	3	18	0.080	4.00
30	3	24	0.080	6.25
36	3	30	0.080	9.00



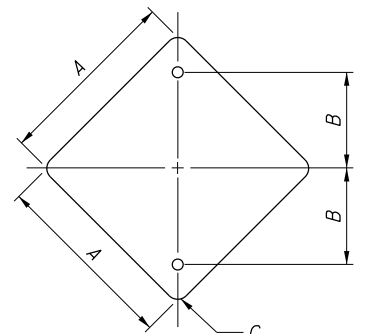
OCTA-2-4

A	B	C	THICKNESS	AREA (FT ²)
48	9	30	0.100	16.00



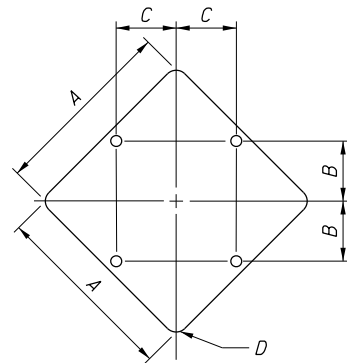
NOTES:

- All bolt holes shall be $\frac{3}{8}$ " in diameter, and may be drilled or punched to finished size.
- Dimensions between bolt holes shall be to tolerance of $\pm \frac{1}{32}$ ".
- All route shields shall be 0.080" thick and attached to extrusheet signs with aluminum blind rivets.
- For back-to-back mounting of STOP (R1-1) and DO NOT ENTER (R5-1) sign, follow details shown on Standard Construction Drawing TC-41.50.



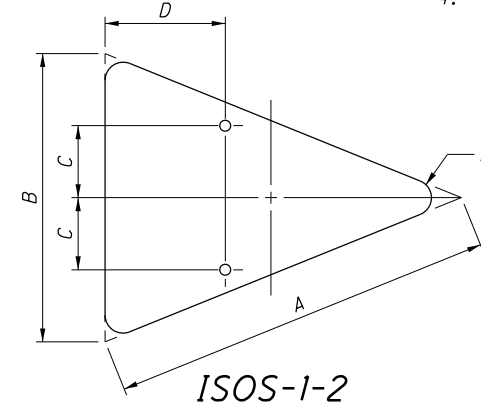
DIA-1-2

A	B	C	THICKNESS	AREA (FT ²)
18	9	1.5	0.080	2.25
24	12	1.5	0.080	4.00
30	15	1.875	0.080	6.25
36	18	2.25	0.080	9.00



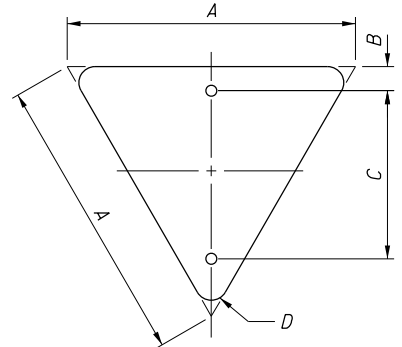
DIA-2-4

A	B	C	D	THICKNESS	AREA (FT ²)
48	15	15	3	0.100	16.00
60	18	18	3.75	0.100	25.00



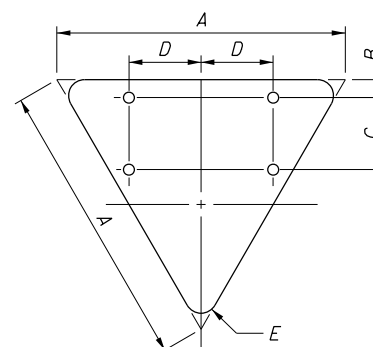
ISOS-1-2

A	B	C	D	E	THICKNESS	AREA (FT ²)
40	30	7.5	12	1.875	0.080	3.86
48	36	9	15	2.25	0.100	5.56



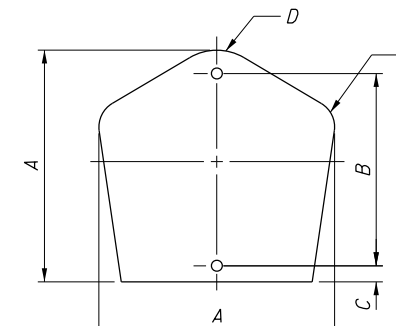
TRI-1-2

A	B	C	D	THICKNESS	AREA (FT ²)
24	2	14	1.5	0.080	1.73
30	3	18	1.5	0.080	2.71
36	3	21	2	0.080	3.90



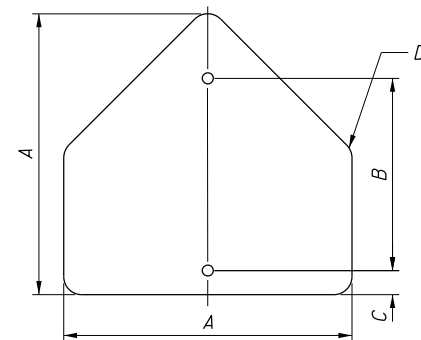
TRI-2-4

A	B	C	D	E	THICKNESS	AREA (FT ²)
48	3	12	12	3	0.100	6.93
60	3	18	15	4	0.100	10.83



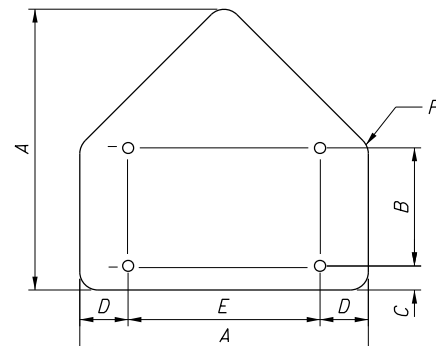
CO-1-2

A	B	C	D	E	THICKNESS	AREA (FT ²)
18	15	1	5	2	0.080	2.25
24	18	2	5.313	2.688	0.080	4.00
30	24	2	6.625	3.375	0.080	6.25



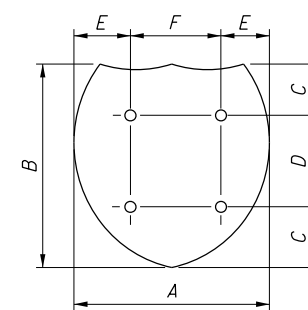
PENT-1-2

A	B	C	D	THICKNESS	AREA (FT ²)
30	21	3	1.875	0.080	6.25
36	24	3	2.25	0.080	9.00



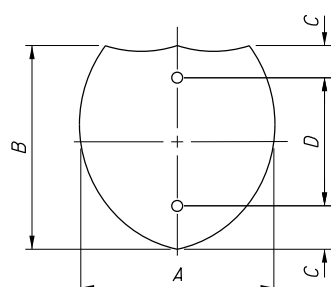
PENT-2-4

A	B	C	D	E	F	THICKNESS	AREA (FT ²)
48	18	6	9	30	3	0.100	16.00



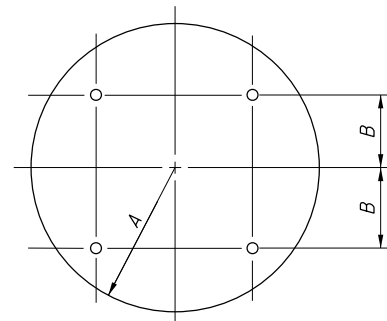
I.S.-2-4

A	B	C	D	E	F	THICKNESS	AREA (FT ²)
48	48	9	30	9	30	0.100	16.00
60	48	9	30	12	36	0.100	20.00



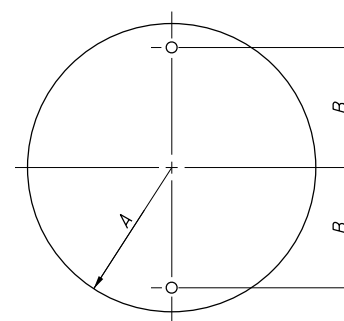
I.S.-1-2

A	B	C	D	THICKNESS	AREA (FT ²)
24	24	3	18	0.080	4.00
24	30	3	18	0.080	5.00
30	30	3	24	0.080	6.25
37.5	30	3	24	0.080	7.81
36	36	6	24	0.080	9.00
45	36	6	24	0.080	11.25



CIR-2-4

A	B	THICKNESS	AREA (FT ²)
24	15	0.100	16.00



CIR-1-2

A	B	THICKNESS	AREA (FT ²)
9	6	0.080	2.25
12	9	0.080	4.00
15	12	0.080	6.25
18	15	0.080	9.00