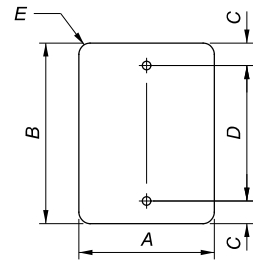
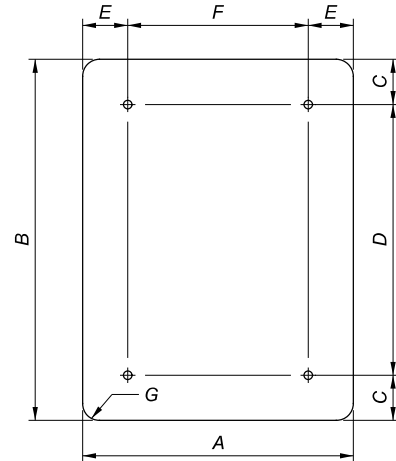


NOTES:

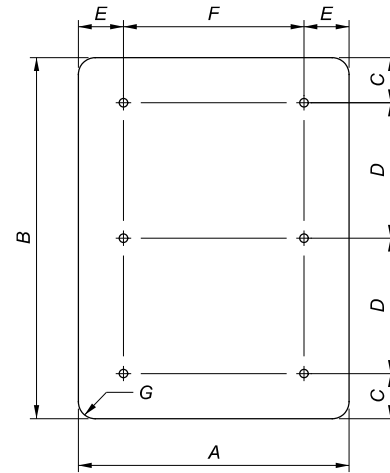
- All bolt holes shall be 3/8" in diameter and may be drilled or punched to finished size.
- Dimensions between bolt holes shall be to tolerance of ± 1/32".
- For back-to-back mounting of STOP (R1-1) and DO NOT ENTER (R5-1) sign, follow details shown on Standard Construction Drawing TC-41.50.



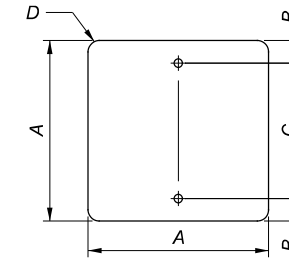
V-REC-1-2



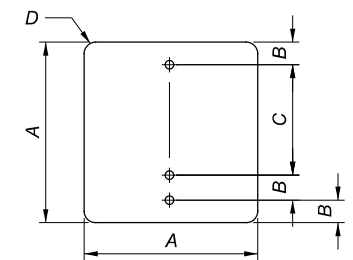
V-REC-2-4



V-REC-2-6



SQ-1-2



SQ-1-3
 (MAINTENANCE MARKER)

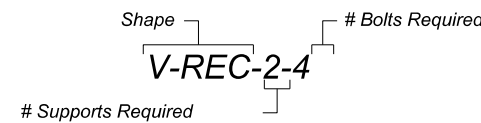
A	B	C	D	E	THICKNESS	AREA (FT ²)
6	54	9	36	1.5	0.080	2.25
9	12	1.5	9	1.5	0.080	0.75
10	12	1.5	10	1.5	0.080	0.83
12	15	1.5	12	1.5	0.080	1.25
12	16	1.5	13	1.5	0.080	1.33
12	18	1.5	15	1.5	0.080	1.50
12	24	3	18	1.5	0.080	2.00
12	30	3	24	1.5	0.080	2.50
12	36	3	30	1.5	0.080	3.00
12	48	6	36	1.5	0.080	4.00
12	60	6	48	1.5	0.080	5.00
14	48	6	36	1.5	0.080	4.67
18	24	3	18	1.5	0.080	3.00
18	60	6	48	1.5	0.100	7.50
24	30	3	24	1.5	0.080	5.00
24	36	3	30	1.5	0.080	6.00
24	38	3	32	1.5	0.080	6.33
24	42	6	30	1.5	0.080	7.00
24	48	6	36	1.5	0.100	8.00
30	36	3	30	1.875	0.080	7.50
30	42	6	30	1.875	0.080	8.75
30	48	6	36	1.875	0.100	10.00
30	60	6	48	1.875	0.100	12.50

A	B	C	D	E	F	G	THICKNESS	AREA (FT ²)
36	42	6	30	6	24	2.25	0.080	10.50
36	48	6	36	6	24	2.25	0.100	12.00
36	54	6	42	6	24	2.25	0.100	13.50
36	60	6	48	6	24	2.25	0.100	15.00
36	72	12	48	6	24	2.25	0.100	18.00
36	75	13.5	48	6	24	2.25	0.100	18.75
42	60	6	48	9	24	2.25	0.100	17.50
48	60	6	48	9	30	3	0.100	20.00

A	B	C	D	E	F	G	THICKNESS	AREA (FT ²)
48	72	6	30	9	30	3	0.100	24.00
48	76	8	30	9	30	3	0.100	25.33
48	84	12	30	9	30	3	0.100	28.00
48	96	12	36	9	30	3	0.100	32.00

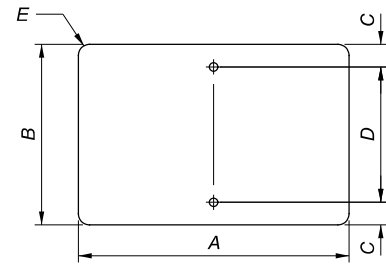
A	B	C	D	THICKNESS	AREA (FT ²)
6	1.0	4	1.0	0.080	0.25
9	1.0	7	1.0	0.080	0.56
12	1.5	9	1.5	0.080	1.00
15	1.5	12	1.5	0.080	1.56
16	1.5	13	1.5	0.080	1.78
18	3	12	1.5	0.080	2.25
24	3	18	1.5	0.080	4.00
30	3	24	1.875	0.080	6.25
36	3	30	2.25	0.080	9.00

A	B	C	D	THICKNESS	AREA (FT ²)
12	1	9	1.5	0.08	1



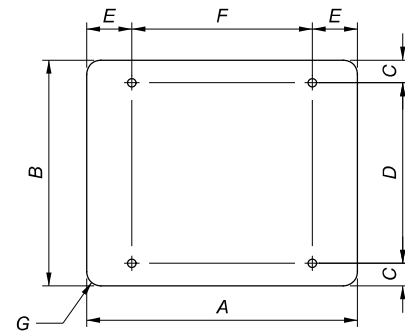
NOTES:

1. All bolt holes shall be 3/8" in diameter and may be drilled or punched to finished size.
2. Dimensions between bolt holes shall be to tolerance of ± 1/32".
3. For back-to-back mounting of STOP (R1-1) and DO NOT ENTER (R5-1) sign, follow details shown on Standard Construction Drawing TC-41.50.



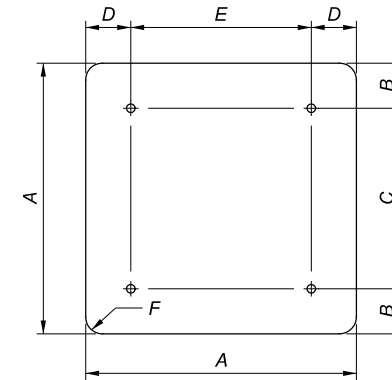
H-REC-1-2

A	B	C	D	E	THICKNESS	AREA (FT ²)
12	4	1	2	1.5	0.080	0.33
12	6	1	4	1.5	0.080	0.50
12	6.5	1	4.5	1.5	0.080	0.54
12	9	1.5	6	1.5	0.080	0.75
15	8	1.5	5	1.5	0.080	0.83
15	12	1.5	9	1.5	0.080	1.25
18	6	1	4	1.5	0.080	0.75
18	9	1.5	6	1.5	0.080	1.12
18	12	1.5	9	1.5	0.080	1.50
20	15	1.5	12	1.5	0.080	2.08
20	18	3	12	1.5	0.080	2.50
21	15	1.5	12	1.5	0.080	2.19
24	6	1	4	1.5	0.080	1.00
24	8	1.5	5	1.5	0.080	1.33
24	9	1.5	6	1.5	0.080	1.50
24	10	1.5	7	1.5	0.080	1.67
24	12	1.5	9	1.5	0.080	2.00
24	18	3	12	1.5	0.080	3.00
30	8	1.5	5	1.5	0.080	1.67
30	9	1.5	6	1.5	0.080	1.88
30	12	1.5	9	1.5	0.080	2.50
30	15	1.5	12	1.5	0.080	3.12
30	16	1.5	13	1.5	0.080	3.33
30	18	3	12	1.5	0.080	3.75
30	21	3	15	1.5	0.080	4.38
30	24	3	18	1.5	0.080	5.00
36	6	1	4	1.5	0.080	1.50
36	8	1.5	5	1.5	0.080	2.00
36	9	1.5	6	1.5	0.080	2.25
36	12	1.5	9	1.5	0.080	3.00
36	14	1.5	11	1.5	0.080	3.50
36	15	1.5	12	1.5	0.080	3.75
36	18	3	12	1.5	0.080	4.50
36	20	3	14	1.5	0.080	5.00
36	24	3	18	1.5	0.080	6.00
36	30	3	24	1.875	0.080	7.50
37.5	30	3	24	1.875	0.080	7.81
48	8	1.5	5	1.5	0.125	2.67
48	10	1.5	7	1.5	0.125	3.33
48	12	1.5	9	1.5	0.125	4.00
48	14	1.5	11	1.5	0.125	4.67
48	16	1.5	13	1.5	0.125	5.33
48	18	3	12	1.5	0.125	6.00



H-REC-2-4

A	B	C	D	E	F	G	THICKNESS	AREA (FT ²)
40	20	3	14	6	28	1.5	0.080	5.56
42	24	3	18	9	24	1.5	0.080	7.00
42	30	3	24	9	24	1.875	0.080	8.75
42	36	6	24	9	24	2.25	0.080	10.50
45	36	6	24	9	27	2.25	0.080	11.25
48	8	1.5	5	9	30	1.5	0.125	2.66
48	10	1.5	7	9	30	1.5	0.125	3.33
48	12	1.5	9	9	30	1.5	0.125	4.00
48	14	1.5	11	9	30	1.5	0.125	4.66
48	16	1.5	13	9	30	1.5	0.125	5.33
48	18	3	12	9	30	1.5	0.125	6.00
48	20	3	14	9	30	1.5	0.100	6.67
48	24	3	18	9	30	1.5	0.100	8.00
48	30	3	24	9	30	1.875	0.100	10.00
48	36	6	24	9	30	2.25	0.100	12.00
48	42	6	30	9	30	2.25	0.100	14.00
54	18	3	12	9	36	1.5	0.100	6.75
54	30	3	24	9	36	1.875	0.100	11.25
54	36	6	24	9	36	2.25	0.100	13.50
60	12	1.5	9	12	36	1.5	0.100	5.00
60	18	3	12	12	36	1.5	0.100	7.50
60	24	3	18	12	36	1.5	0.100	10.00
60	30	3	24	12	36	1.875	0.100	12.50
60	36	6	24	12	36	2.25	0.100	15.00
60	48	6	36	12	36	3	0.100	20.00
66	24	3	18	12	42	1.5	0.100	11.00
66	30	3	24	12	42	1.875	0.100	13.75
66	36	6	24	12	42	2.25	0.100	16.50
72	12	1.5	9	12	48	1.5	0.125	6.00
72	15	1.5	12	12	48	1.5	0.125	7.50
72	18	3	12	12	48	1.5	0.125	9.00
72	24	3	18	12	48	1.5	0.100	12.00
72	30	3	24	12	48	1.875	0.100	15.00
72	36	6	24	12	48	2.25	0.100	18.00
72	48	6	36	12	48	3	0.100	24.00
78	24	3	18	12	54	1.5	0.125	13.00
78	24	3	18	12	54	1.5	0.125	13.00
78	30	3	24	12	54	1.875	0.125	16.25
84	30	3	24	12	60	1.875	0.125	17.50
96	24	3	18	12	72	1.5	0.125	16.00



SQ-2-4

A	B	C	D	E	F	THICKNESS	AREA (FT ²)
36	6	24	6	24	2.25	0.080	9.00
42	6	30	9	24	2.25	0.080	12.25
48	6	36	9	30	3	0.100	16.00

