

# **Chapter 5**

## **EMERGENCY MANAGEMENT SIGNS**

**(“EM” sign code numbers)**

Intentionally blank

**EMERGENCY MANAGEMENT SIGNS****INDEX**

<b><u>CODE DESIGNATION</u></b>	<b><u>LEGEND OR TITLE</u></b>	<b><u>DATE</u></b>
EM-1	<i>(arrow) EVACUATION ROUTE</i>	1/20/12
EM-2	AREA CLOSED	1/21/05
EM-3	TRAFFIC CONTROL POINT	1/21/05
EM-4	MAINTAIN TOP SAFE SPEED	1/21/05
EM-5	ROAD USE PERMIT REQUIRED FOR THRU TRAFFIC	1/21/05
EM-6a	MEDICAL CENTER <i>(arrow)</i>	1/21/05
EM-6b	WELFARE CENTER <i>(arrow)</i>	1/21/05
EM-6c	REGISTRATION CENTER <i>(arrow)</i>	1/21/05
EM-6d	DECONTAMINATION CENTER <i>(arrow)</i>	1/21/05
EM-7a	EMERGENCY SHELTER <i>(arrow &amp; distance)</i>	1/21/05
EM-7b	HURRICANE SHELTER <i>(arrow &amp; distance)</i>	1/21/05
EM-7c	<i>(symbol) FALLOUT SHELTER (arrow &amp; distance)</i>	1/21/05
EM-7d	<i>(symbol) CHEMICAL SHELTER (arrow &amp; distance)</i>	1/21/05

Intentionally blank

# STANDARD SIGN DESIGN

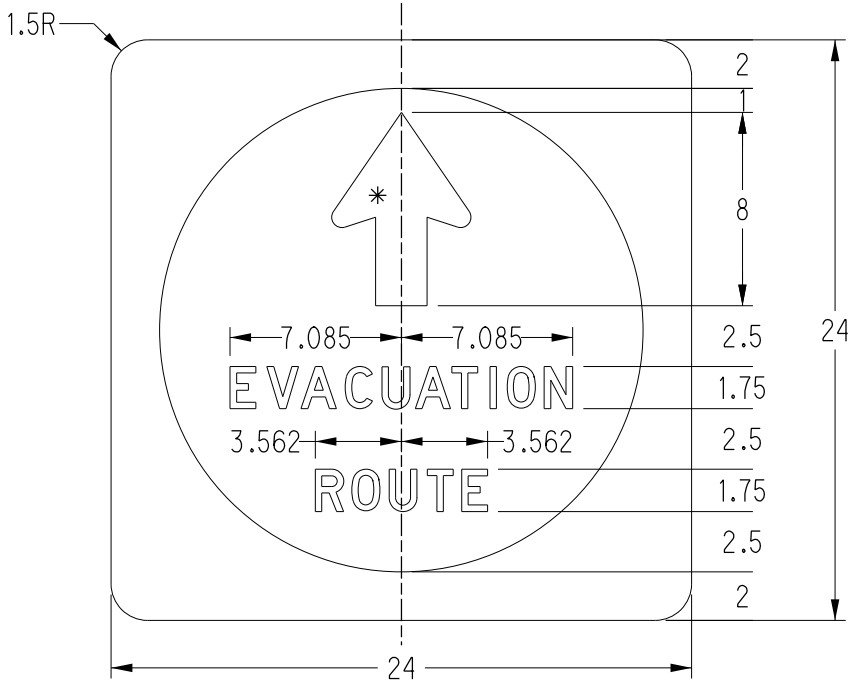
## ODOT - OFFICE OF TRAFFIC OPERATIONS

DATE: 01/20/12

COLORS: SEE BELOW

SERIES: EMERGENCY

CODE NO.: EM-1



COLORS-  
LEGEND, ARROW, BACKGROUND: WHITE  
CIRCULAR SYMBOL: BLUE



\*SEE APPENDIX A FOR STANDARD ARROW DETAILS  
NOTE: LEGEND MAY BE MODIFIED TO DESCRIBE THE  
TYPE OF EVACUATION ROUTE (e.g., HURRICANE)

ALL DIMENSIONS SHOWN IN INCHES



# STANDARD SIGN DESIGN

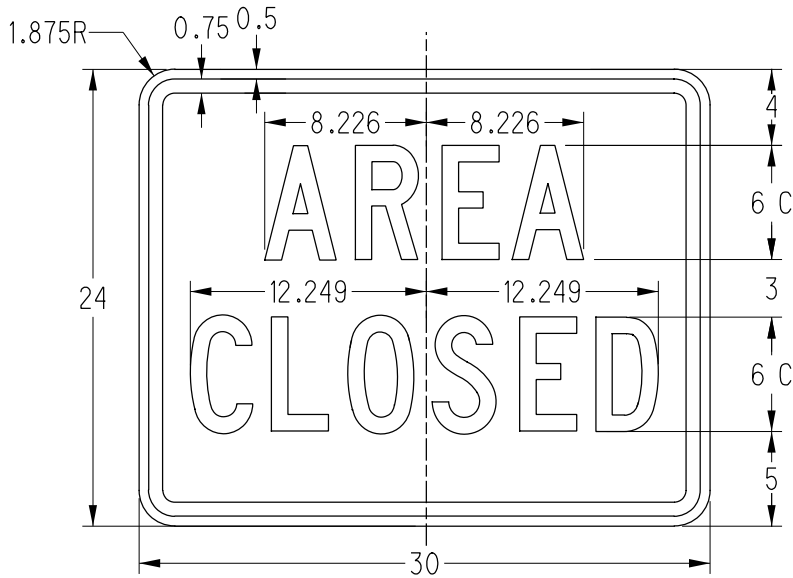
## ODOT - OFFICE OF TRAFFIC OPERATIONS

DATE: 01/21/05

COLORS: BLACK ON WHITE

SERIES: EMERGENCY

CODE NO.: EM-2



ALL DIMENSIONS SHOWN IN INCHES





# STANDARD SIGN DESIGN

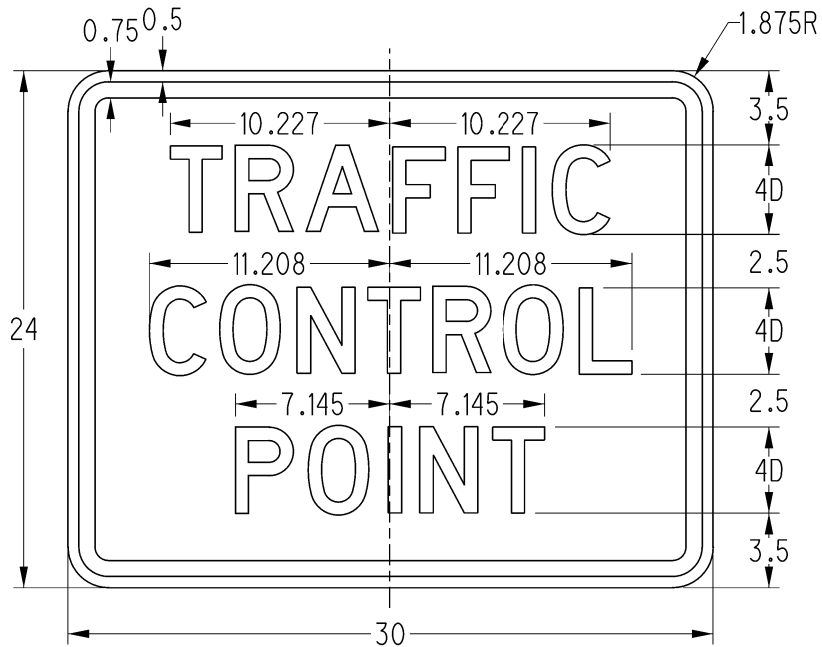
## ODOT - OFFICE OF TRAFFIC OPERATIONS

DATE: 01/21/05

COLORS: BLACK ON WHITE

SERIES: EMERGENCY

CODE NO.: EM-3



ALL DIMENSIONS SHOWN IN INCHES



# STANDARD SIGN DESIGN

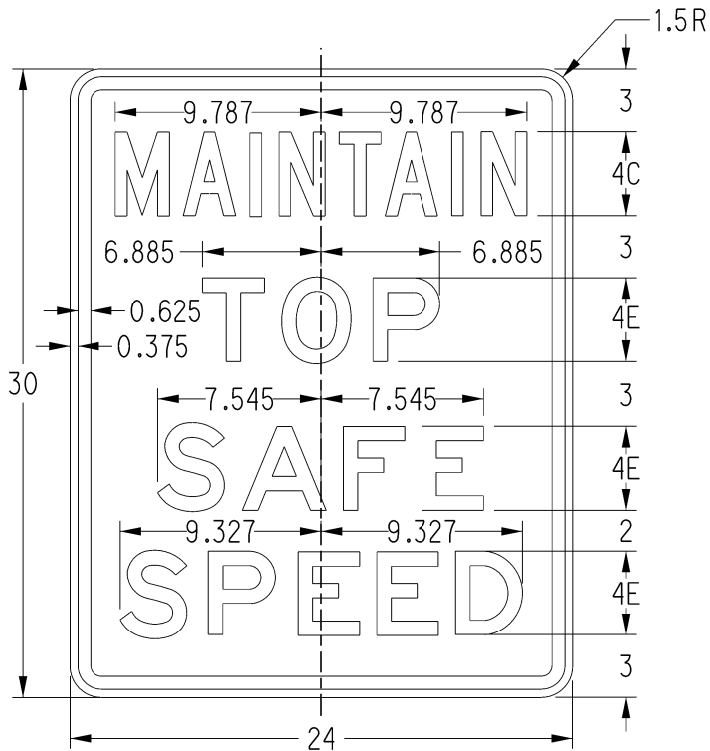
## ODOT - OFFICE OF TRAFFIC OPERATIONS

DATE: 01/21/05

COLORS: BLACK ON WHITE

SERIES: EMERGENCY

CODE NO.: EM-4



ALL DIMENSIONS SHOWN IN INCHES



# STANDARD SIGN DESIGN

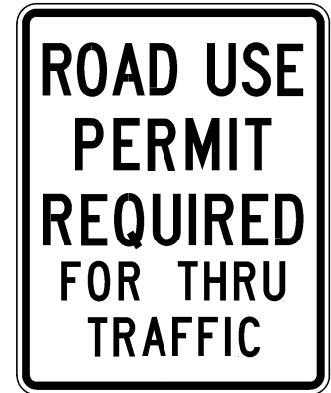
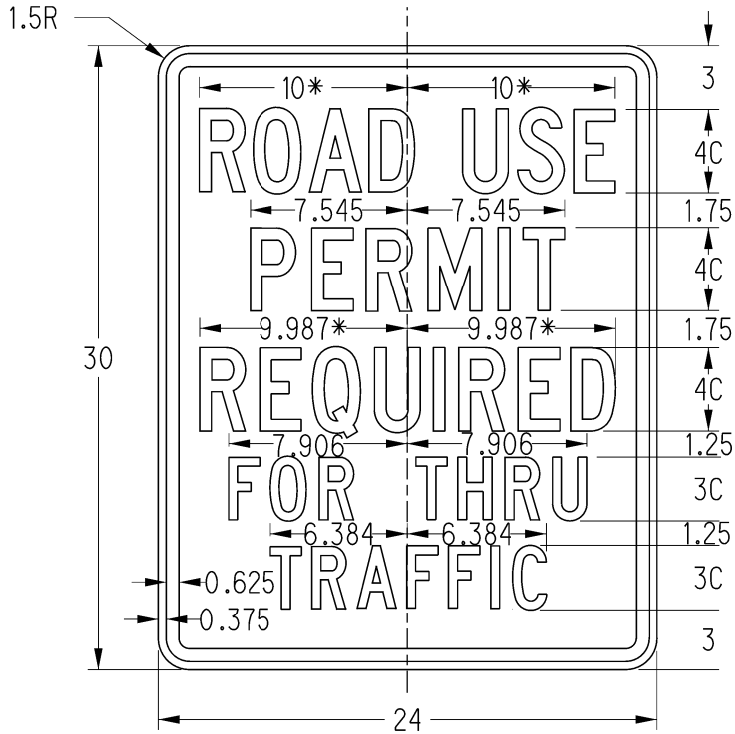
## ODOT - OFFICE OF TRAFFIC OPERATIONS

DATE: 01/21/05

COLORS: BLACK ON WHITE

SERIES: EMERGENCY

CODE NO.: EM-5



\*REDUCE SPACING TO FIT

ALL DIMENSIONS SHOWN IN INCHES



# STANDARD SIGN DESIGN

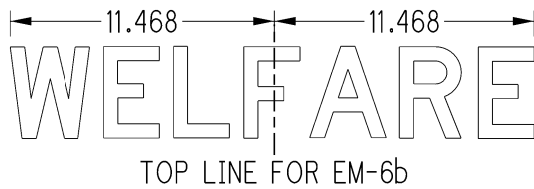
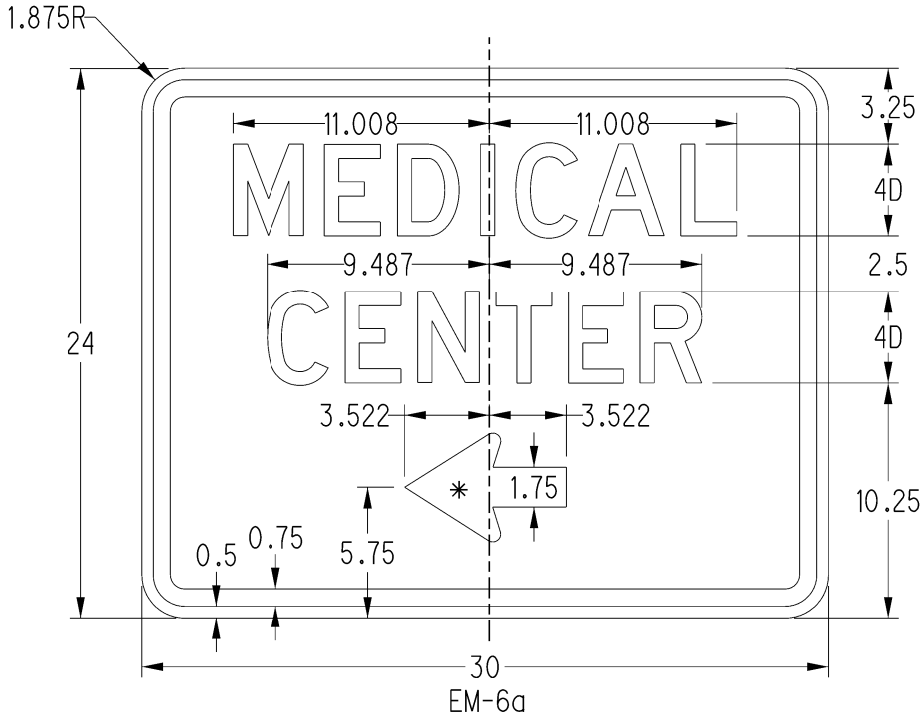
## ODOT - OFFICE OF TRAFFIC OPERATIONS

DATE: 01/21/05

COLORS: BLACK ON WHITE

SERIES: EMERGENCY

CODE NO.: EM-6a  
EM-6b



EM-6b

\*SEE APPENDIX A FOR STANDARD ARROW DETAILS

ALL DIMENSIONS SHOWN IN INCHES





# STANDARD SIGN DESIGN

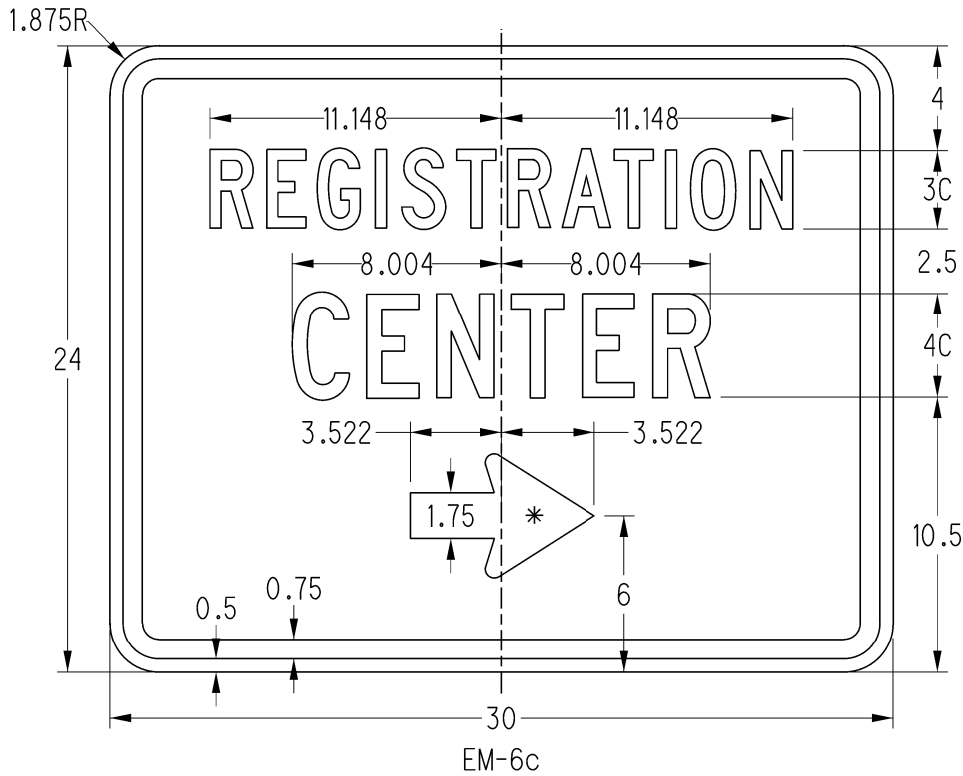
## ODOT - OFFICE OF TRAFFIC OPERATIONS

DATE: 01/21/05

COLORS: BLACK ON WHITE

SERIES: EMERGENCY

CODE NO.: EM-6c  
EM-6d



EM-6d

\*SEE APPENDIX A FOR STANDARD ARROW DETAILS

ALL DIMENSIONS SHOWN IN INCHES



# STANDARD SIGN DESIGN

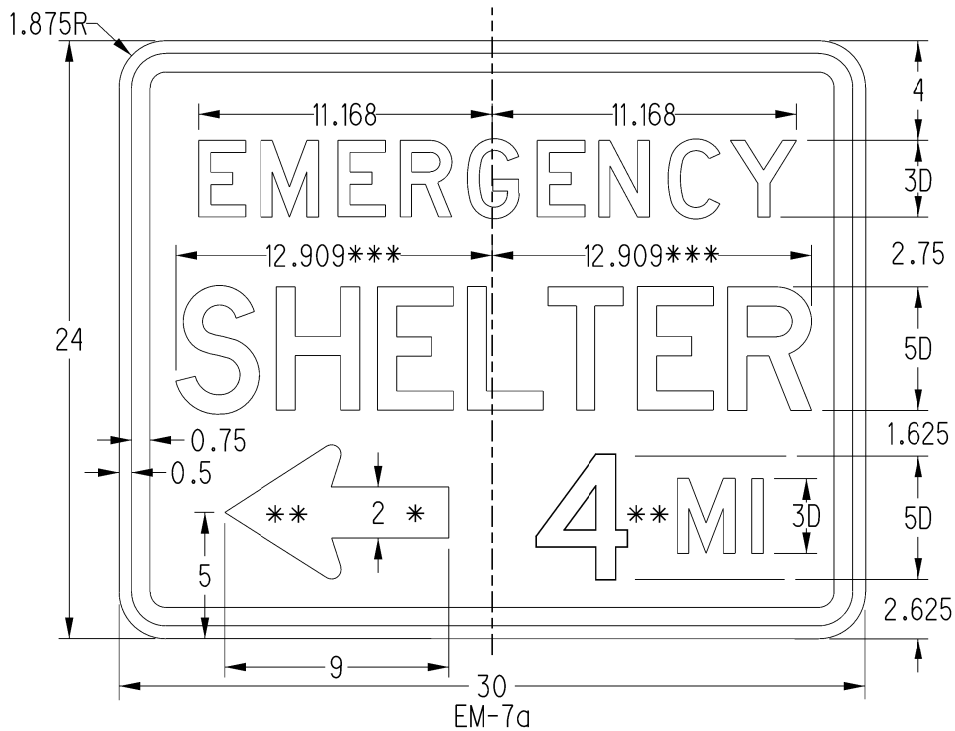
## ODOT - OFFICE OF TRAFFIC OPERATIONS

DATE: 01/21/05

COLORS: BLACK ON WHITE

SERIES: EMERGENCY

CODE NO.: EM-7a  
EM-7b



EM-7b

\*SEE APPENDIX A FOR STANDARD ARROW DETAILS

\*\*OPTICALLY CENTER ARROW AND MILEAGE ABOUT VERTICAL CENTERLINE

\*\*\*REDUCE SPACING TO FIT

ALL DIMENSIONS SHOWN IN INCHES



# STANDARD SIGN DESIGN

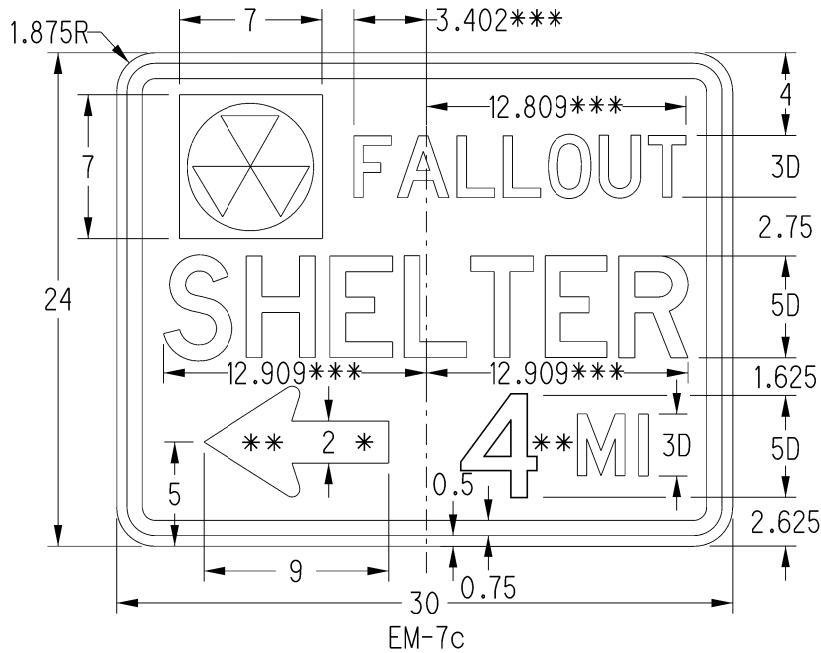
## ODOT - OFFICE OF TRAFFIC OPERATIONS

DATE: 01/21/05

COLORS: SEE BELOW

SERIES: EMERGENCY

CODE NO.: EM-7c  
EM-7d



COLORS-  
 BORDER, LEGEND, ARROW: BLACK  
 RADIATION SYMBOL: BLACK  
 SYMBOL BACKGROUND: YELLOW  
 BACKGROUND: WHITE



EM-7d



- \*SEE APPENDIX A FOR STANDARD ARROW DETAILS
- \*\*OPTICALLY CENTER ARROW AND MILEAGE ABOUT VERTICAL CENTERLINE
- \*\*\*REDUCE SPACING TO FIT

ALL DIMENSIONS SHOWN IN INCHES

