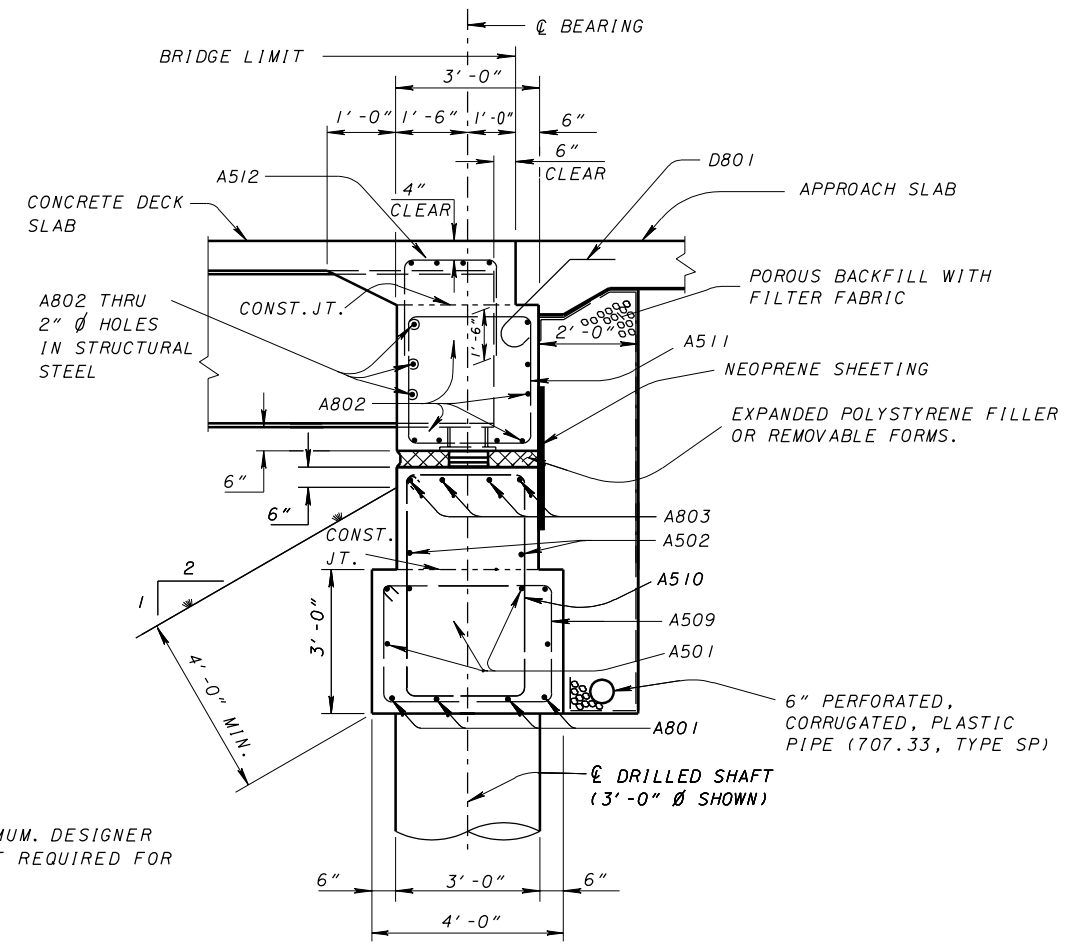
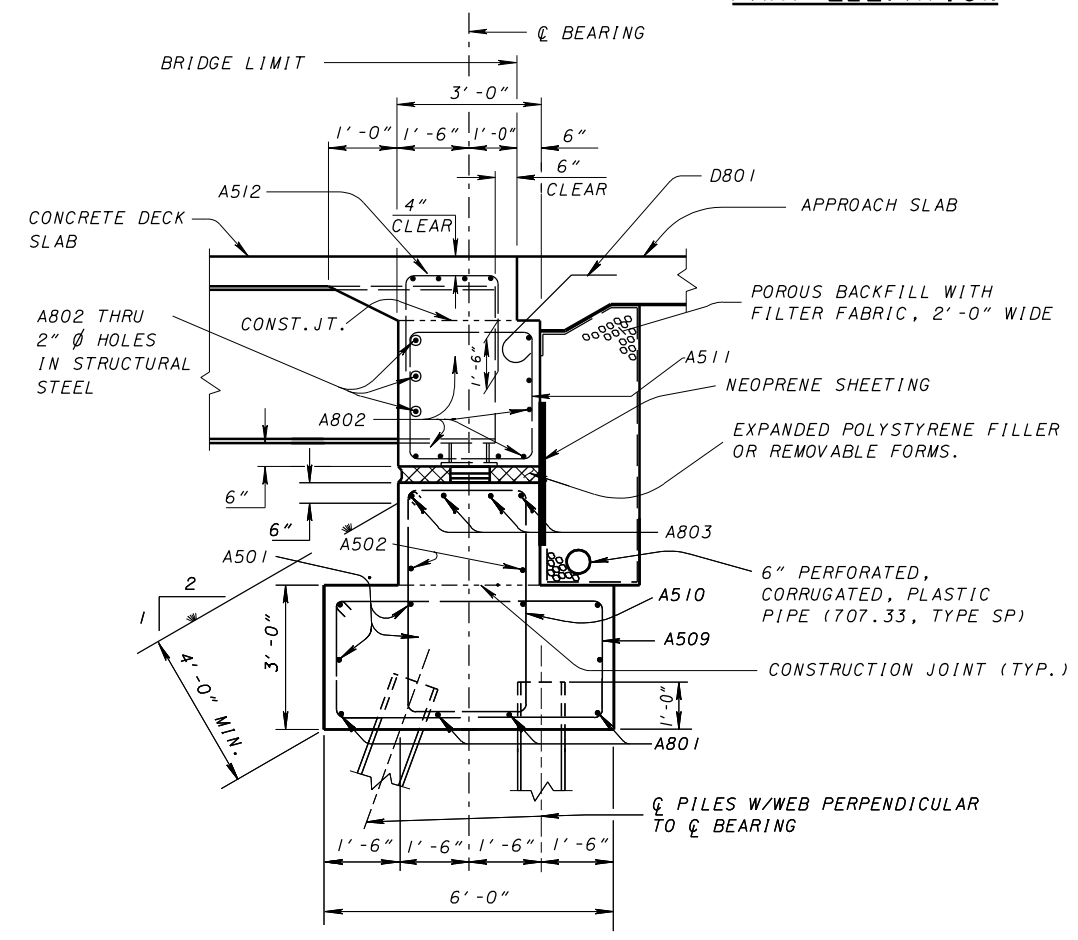


PART ELEVATION

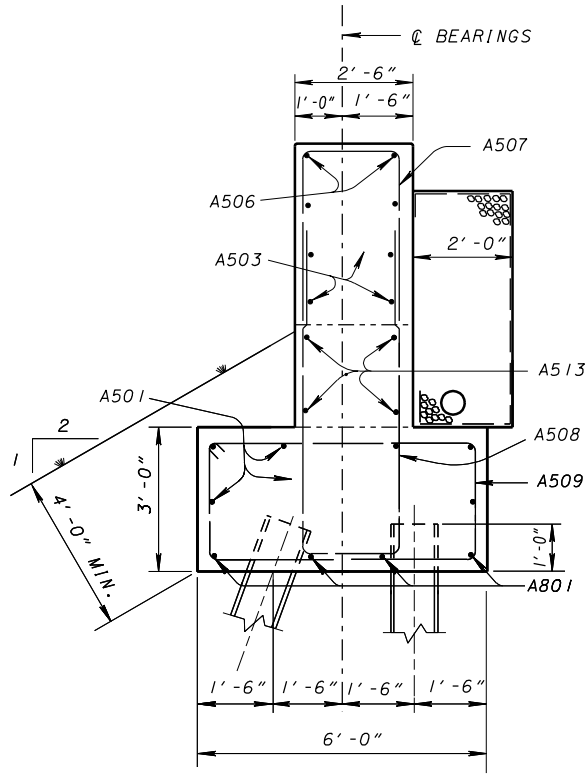


**SECTION D-D
(ON DRILLED SHAFT)**

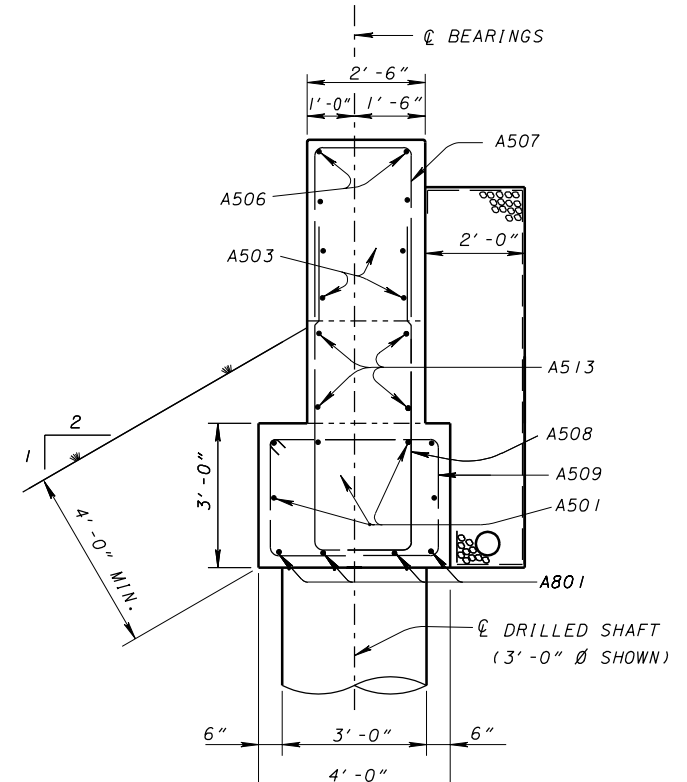
NOTE:
REINFORCING STEEL SHOWN IS MINIMUM. DESIGNER
SHALL PROVIDE THE REINFORCEMENT REQUIRED FOR
THE INDIVIDUAL STRUCTURE.



**SECTION D-D
(ON PILES)**



**SECTION E-E
(ON PILES)**



**SECTION E-E
(ON DRILLED SHAFT)**

DESIGN AGENCY	OFFICE OF	STRUCTURAL ENGINEERING
STATE OF OHIO DEPARTMENT OF TRANSPORTATION	2-12-97	DATE
ADMINISTRATOR	<i>Brad Taggart</i>	
REVIEWED	LMW	
CHECKED	MFG./J.S.	
DESIGNED	WLF	
REVISIONS	04-20-01	07-19-02
STANDARD		
SEMI-INTEGRAL CONSTRUCTION DETAILS FOR STEEL BEAM AND GIRDER BRIDGES ON RIGID ABUTMENTS	SICD-1-96	
3	7	