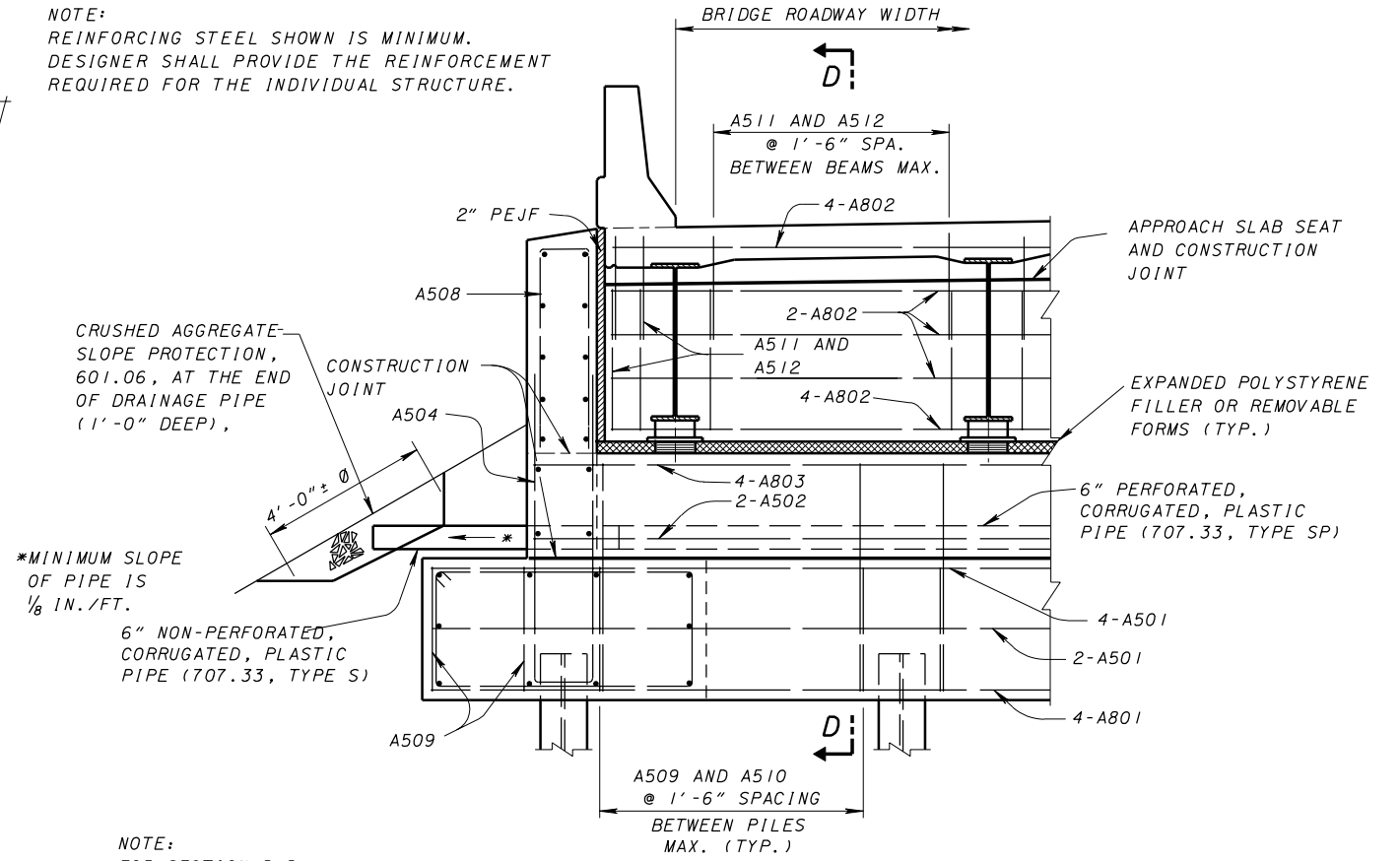


PART PLAN

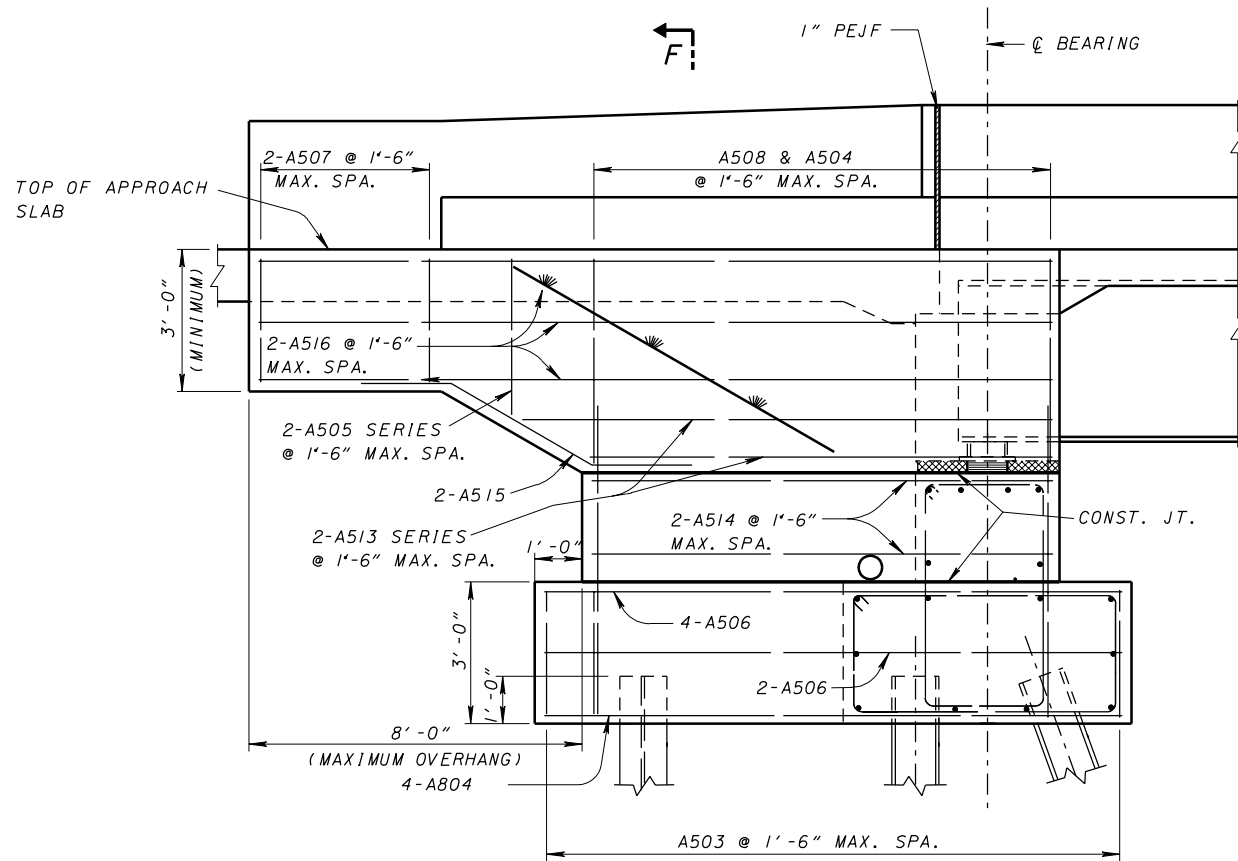
■ SPECIAL DESIGN OF APPROACH SLAB MAY BE REQUIRED

NOTE:
REINFORCING STEEL SHOWN IS MINIMUM.
DESIGNER SHALL PROVIDE THE REINFORCEMENT
REQUIRED FOR THE INDIVIDUAL STRUCTURE.

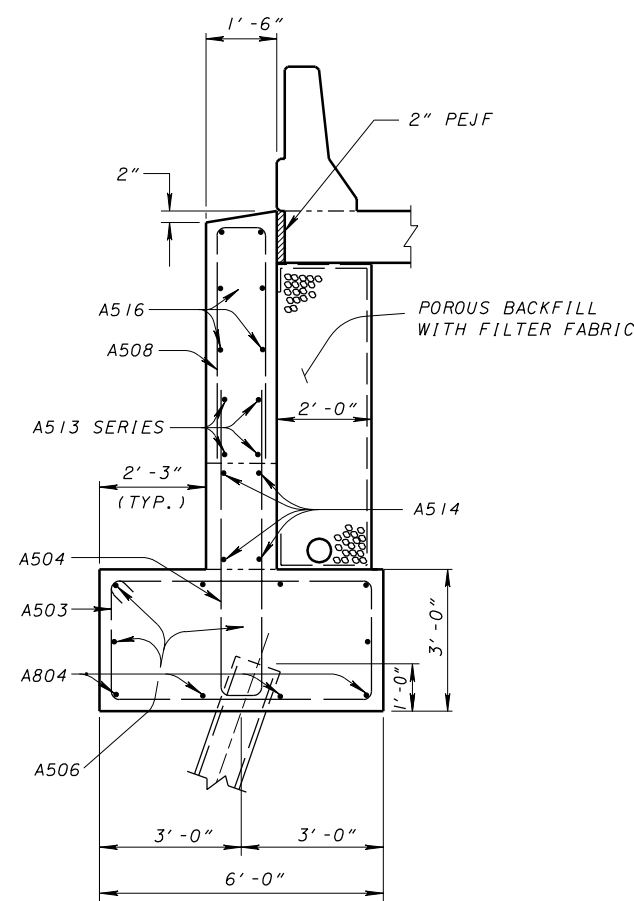


VIEW G-G

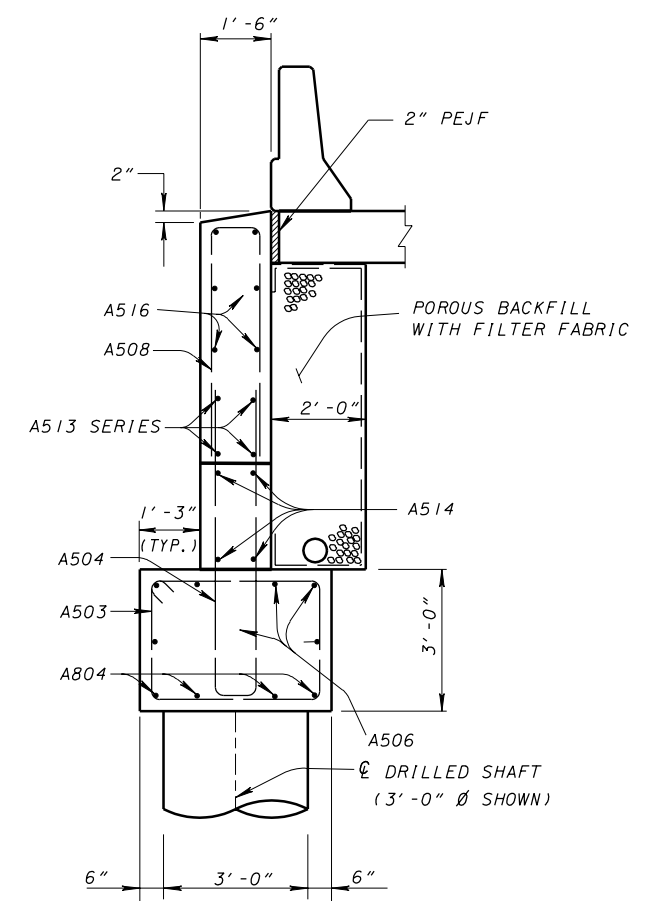
NOTE:
FOR SECTION D-D
SEE SHEET 3/7



ELEVATION



**SECTION F-F
(ON PILES)**



**SECTION F-F
(ON DRILLED SHAFTS)**

DESIGN AGENCY OFFICE OF STRUCTURAL ENGINEERING	DATE 2-12-97
STATE OF OHIO DEPARTMENT OF TRANSPORTATION ADMINISTRATOR <i>Brad Fogell</i>	
REVIEWED LMW	CHECKED MRG/JJS
DESIGNED WLF	DRAWN WLF
REVISIONS 04-20-01 07-19-02	STANDARD S/CD-1-96
SEMI-INTEGRAL CONSTRUCTION DETAILS FOR STEEL BEAM AND GIRDER BRIDGES ON RIGID ABUTMENTS	
4	7