

PART PLAN
STEEL TUBE & POSTS NOT SHOWN

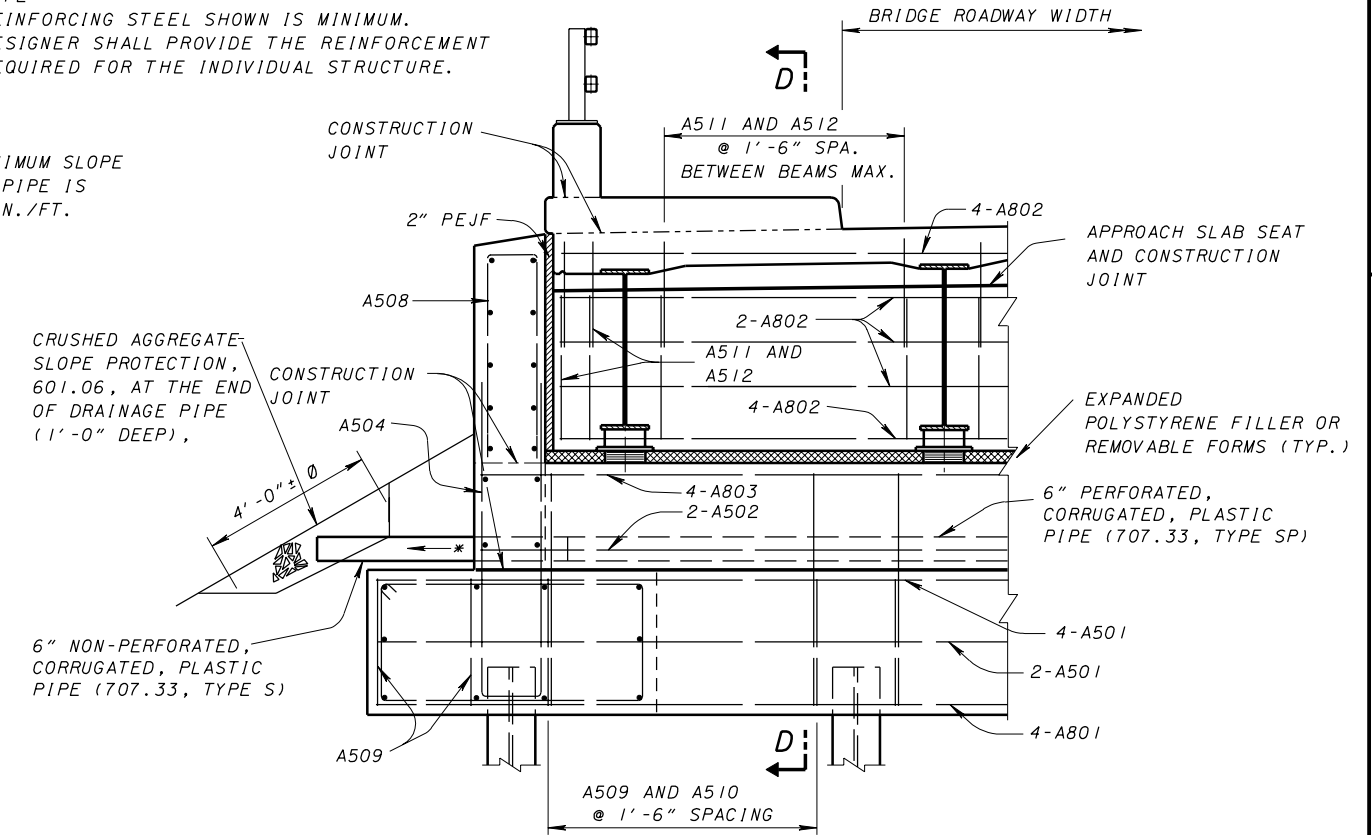
■ SPECIAL DESIGN OF APPROACH SLAB
MAY BE REQUIRED

NOTE:
REINFORCING STEEL SHOWN IS MINIMUM.
DESIGNER SHALL PROVIDE THE REINFORCEMENT
REQUIRED FOR THE INDIVIDUAL STRUCTURE.

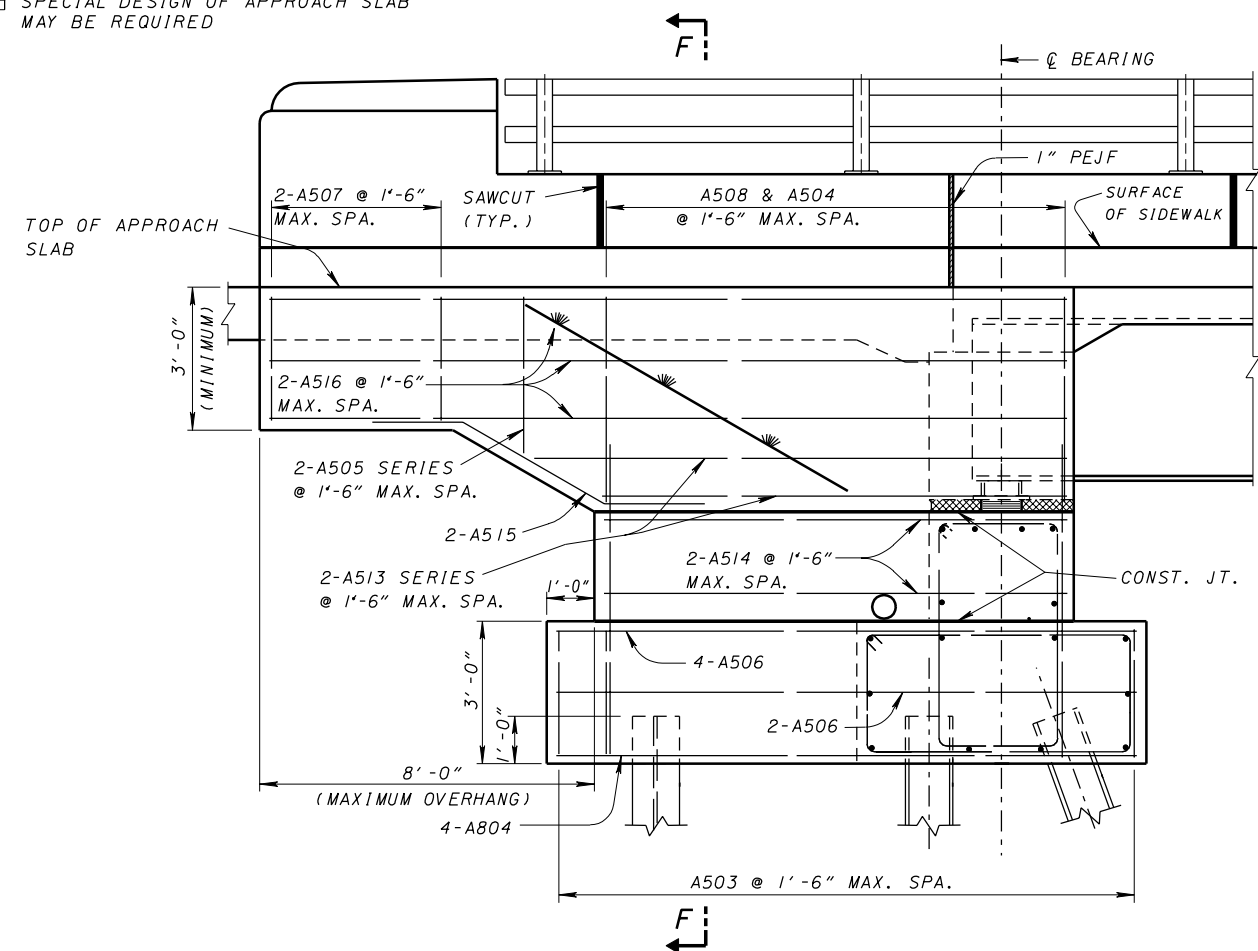
*MINIMUM SLOPE
OF PIPE IS
1/8 IN./FT.

CRUSHED AGGREGATE
SLOPE PROTECTION,
601.06, AT THE END
OF DRAINAGE PIPE
(1'-0" DEEP),

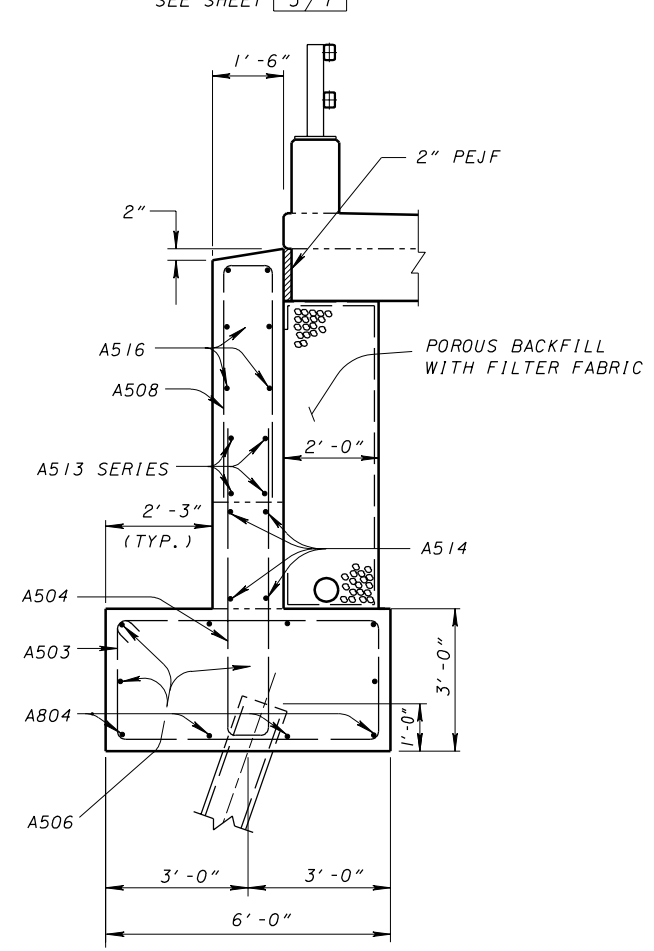
NOTE:
FOR SECTION D-D, WITHOUT SIDEWALK,
SEE SHEET 3/7



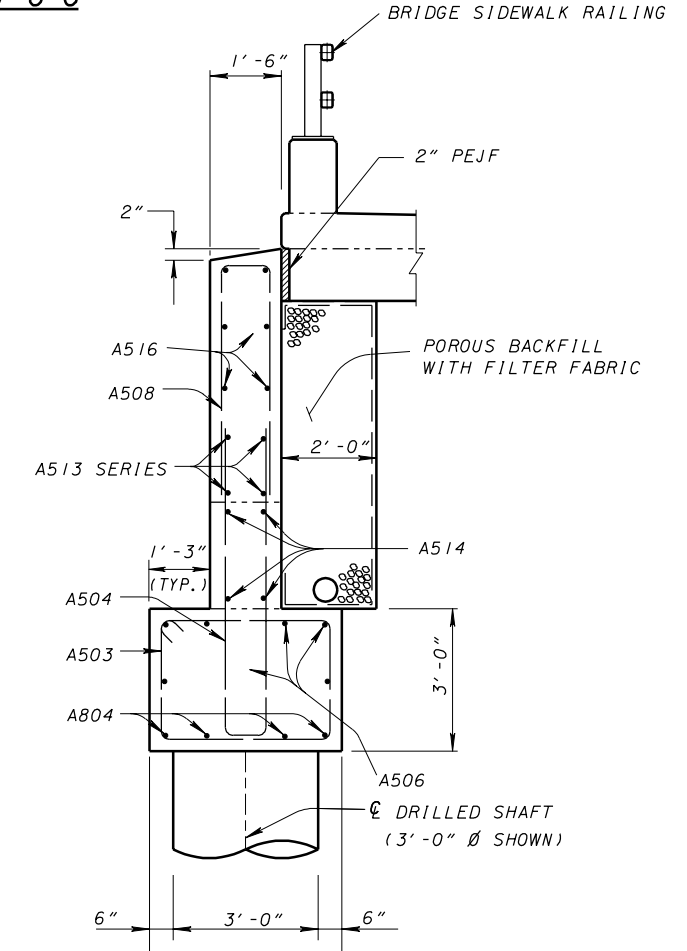
VIEW G-G



ELEVATION



SECTION F-F
(ON PILES)



SECTION F-F
(ON DRILLED SHAFTS)

DESIGN AGENCY	OFFICE	DATE
STATE OF OHIO DEPARTMENT OF TRANSPORTATION	BRAD FOGELL	2-12-97
	ADMINISTRATOR	
STANDARD	REVISIONS	DESIGNED
SEMI-INTEGRAL CONSTRUCTION DETAILS FOR STEEL BEAM AND GIRDER BRIDGES ON RIGID ABUTMENTS	04-20-01	WLF
	07-19-02	WLF
	CHECKED	DRAWN
	MRG/JJS	WLF
	REVIEWED	DATE
	L.M.W.	2-12-97
	PROJECT NO.	
	SICD-1-96	
	SHEET	5/7