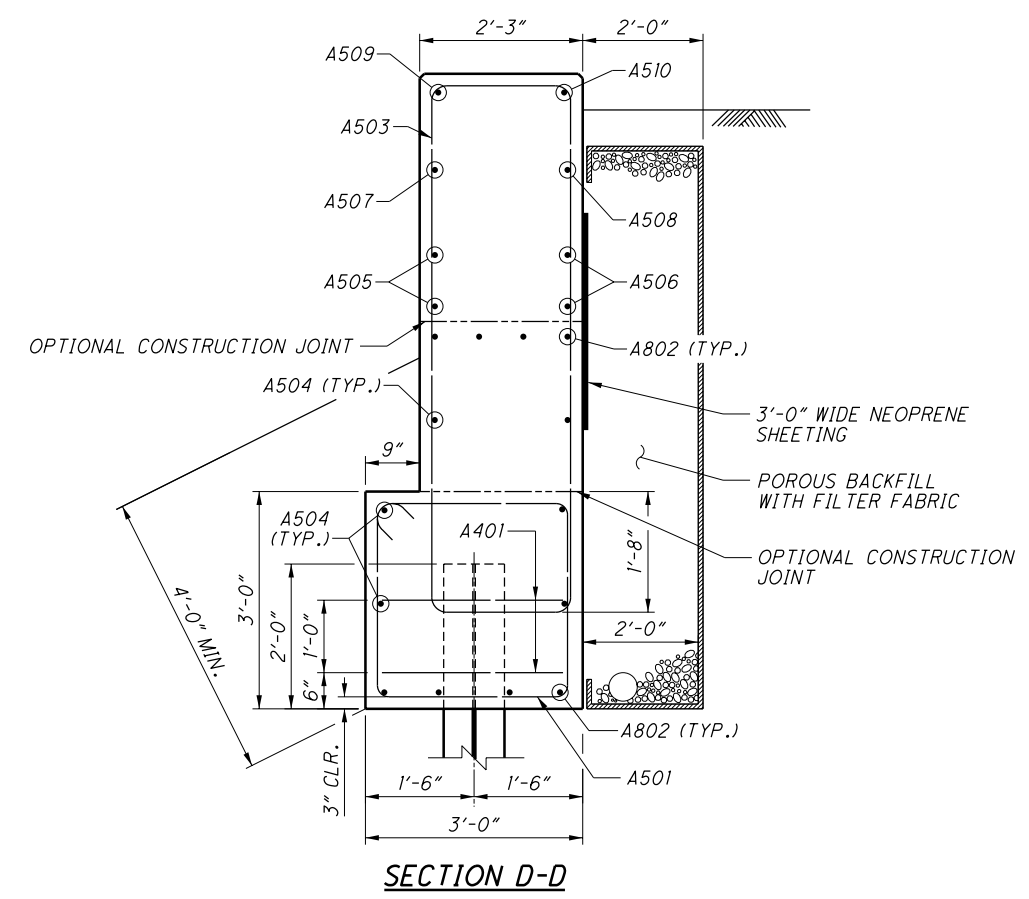


THE ANCHOR BARS, OR OPTIONAL DOWEL BARS, SHALL BE PLACED VERTICALLY AT THE LOCATION SHOWN.
 ◊◊ SEE OPTIONAL HOOKED DOWEL BAR DETAIL.

IN LIEU OF PROVIDING THE A801 ANCHOR BARS AS SHOWN IN DETAIL X, NO. 8 HOOKED DOWEL BARS MAY BE DRILLED AND GROUTED TO A DEPTH OF 12 INCHES ACCORDING TO ITEM 510. FURNISH NONSHRINK, NONMETALLIC GROUT, 705.20. ACCURATELY PLACE SUBSTRUCTURE REINFORCING STEEL TO AVOID INTERFERENCE WITH THE DRILLING OF DOWEL HOLES.



DESIGN AGENCY	OFFICE OF	STRUCTURAL ENGINEERING
STATE OF OHIO DEPARTMENT OF TRANSPORTATION	DATE	07-18-08
ADMINISTRATOR	DATE	
REVISIONS	DESIGNED	CPA-1-08
	DRAWN	
	CHECKED	
	REVIEWED	
STANDARD	CAPED PILE ABUTMENT FOR SLAB BRIDGES	
	2	4