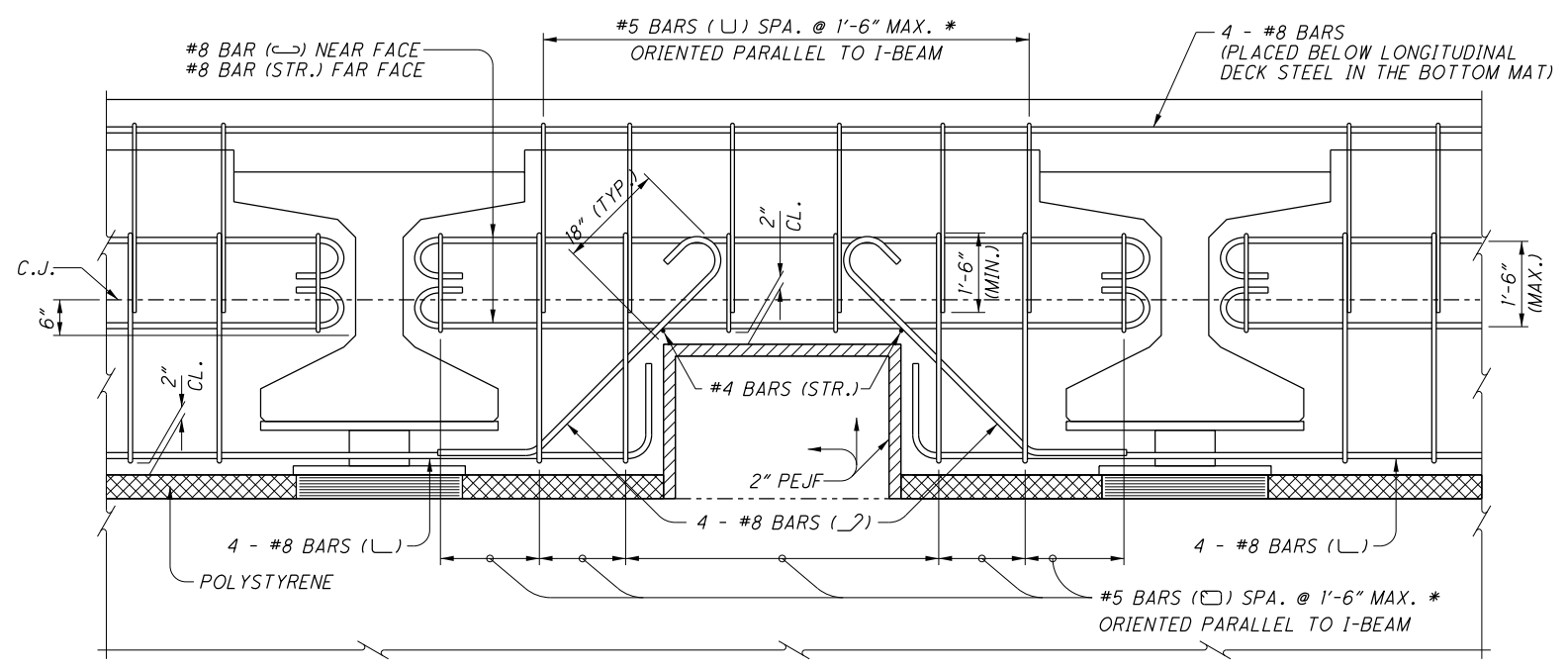


**DIAPHRAGM ELEVATION
(STEEL BEAM/GIRDER SUPERSTRUCTURE)**

NOTE - ALL #8 BARS ORIENTED PARALLEL TO ϕ ABUTMENT



**DIAPHRAGM ELEVATION
(PRESTRESSED I-BEAM SUPERSTRUCTURE)**

NOTE - ALL #8 BARS ORIENTED PARALLEL TO ϕ ABUTMENT

GENERAL NOTES

DESCRIPTION: THE PURPOSE OF THIS DRAWING IS TO PROVIDE DETAILING GUIDANCE FOR THE REINFORCEMENT OF THE SEMI-INTEGRAL DIAPHRAGM AROUND THE SICDD-2-14 DIAPHRAGM GUIDE.

DESIGNER NOTES: THIS DRAWING SHALL NOT BE REFERENCED IN THE PROJECT PLANS.

THE REINFORCEMENT BAR SIZE AND SHAPE ARE PROVIDED IN THE CALLOUT. E.G. #5 BAR (U) IS A 5/8-INCH DIAMETER U-SHAPED BAR.

THE NUMBER OF BARS REQUIRED WILL DEPEND UPON THE BEAM SPACING AND DEPTH OF THE BEAM/GIRDER. ADDITIONAL ROWS OF #8 (STR.) AND/OR #8 (C) BARS SHALL BE PROVIDED TO MAINTAIN THE VERTICAL SPACING AT 1'-6" MAX. ALL STIRRUP BARS LOCATED IN THE LOWER PORTION OF THE DIAPHRAGM ARE #5 (C). THE VERTICAL DIMENSION OF THESE BARS DEPENDS ON THE LOCATION IN AND AROUND THE GUIDE AND/OR BEAM FLANGES.

LEGEND

- * - MEASURED PARALLEL TO ϕ ABUTMENT
- ** - PLACE BARS ON THE NEAR FACE THRU HOLES IN THE WEB
- STR. - INDICATES STRAIGHT REINFORCEMENT
- C.J. - CONSTRUCTION JOINT