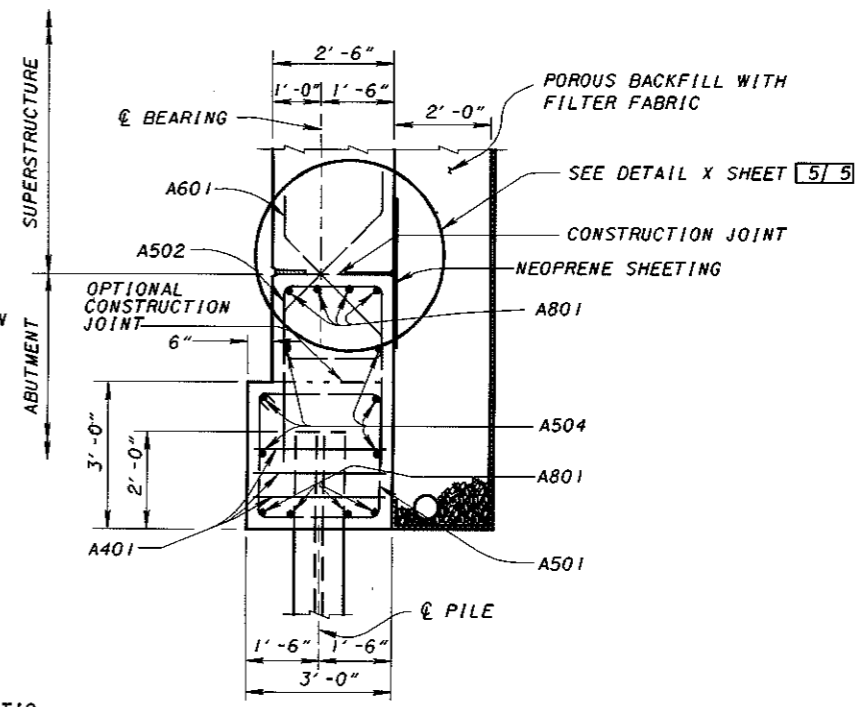
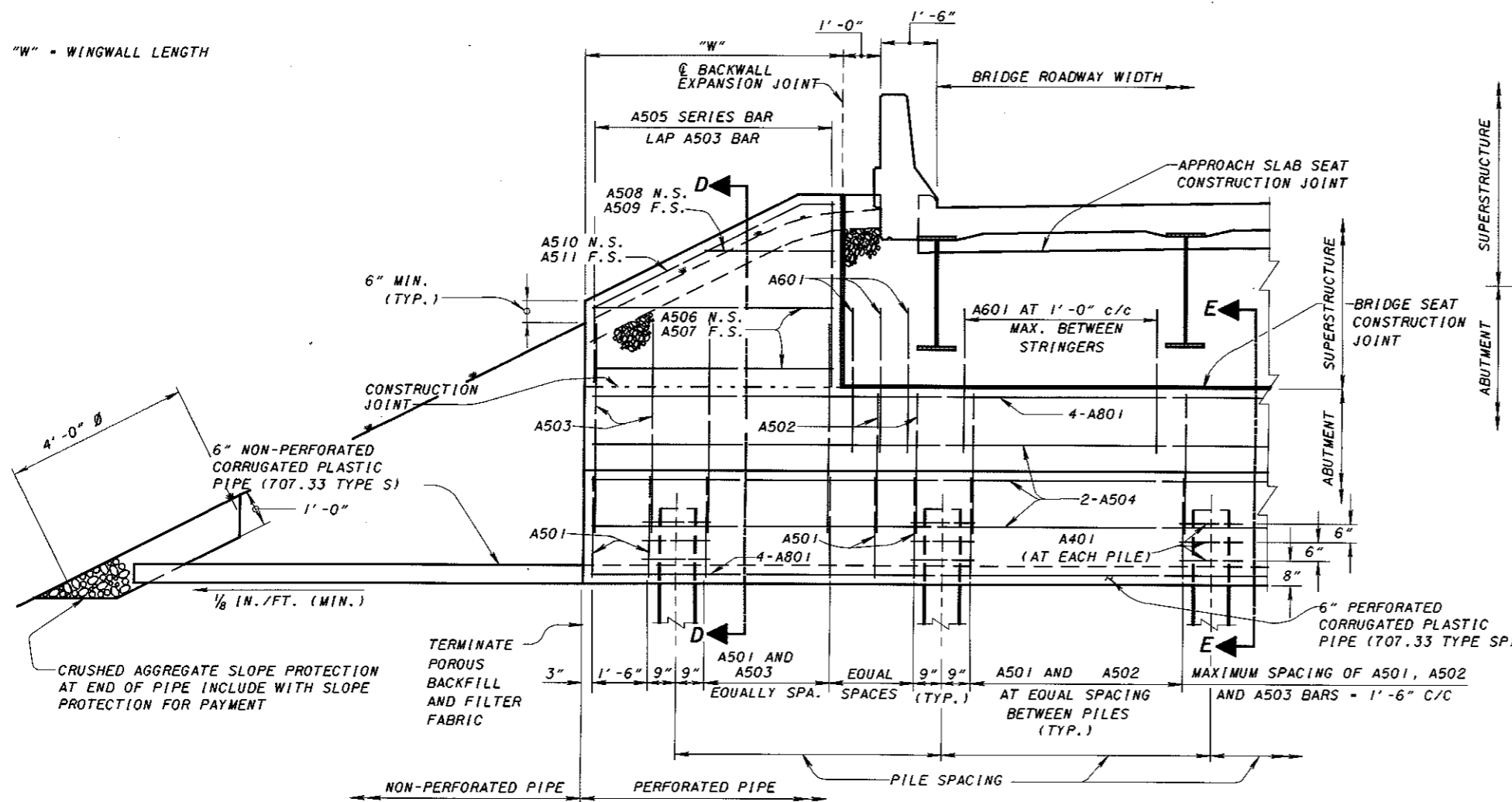
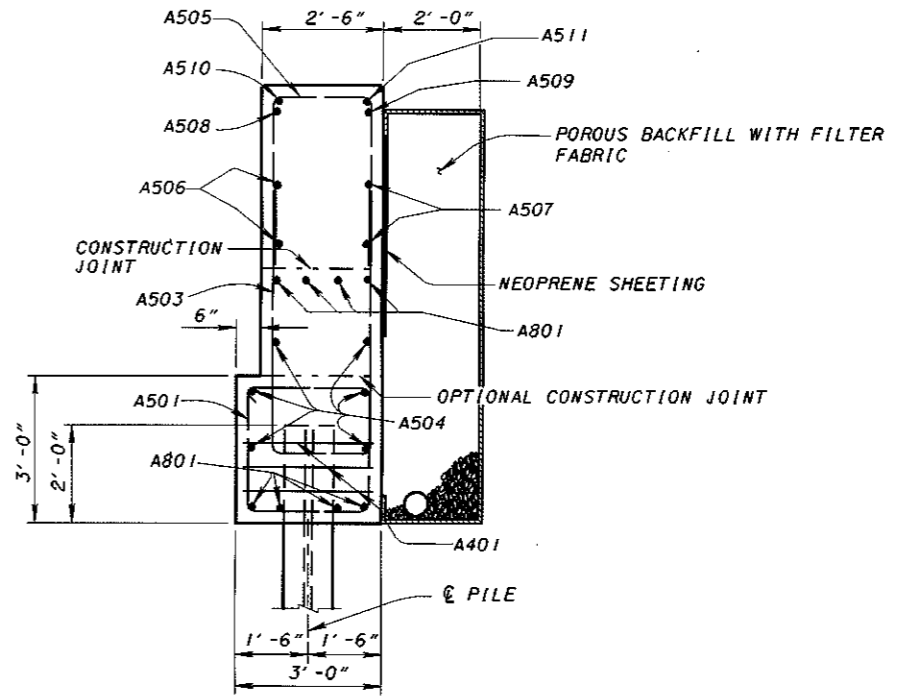


"W" = WINGWALL LENGTH



SECTION E-E



SECTION D-D

REINFORCING STEEL			BENDING DIAGRAMS	
MARK	LENGTH	SHAPE		
A801	①	ST.		
A601	10'-9"	BT.		
A501	11'-0"	BT.		
A502	A	BT.		
A503	A	BT.		
A504	①	ST.		
A505	B	BT.		
A506	②	ST.		
A507	②	ST.		
A508	②	ST.		
A509	②	ST.		
A510	②	BT.		
A511	②	BT.		
A401	9'-1"	BT.		

A,C,D-LENGTH MAY VARY WITH EACH INDIVIDUAL STRUCTURE.
 B-LENGTH AND INCREMENT (SERIES BAR) MAY VARY WITH EACH INDIVIDUAL STRUCTURE.

① - 1/2 (LENGTH OF ABUTMENT-4") + 1/2 BAR LAP.
 ② - LENGTH IS DEPENDENT UPON DIMENSION "W" (LENGTH OF WINGWALL).