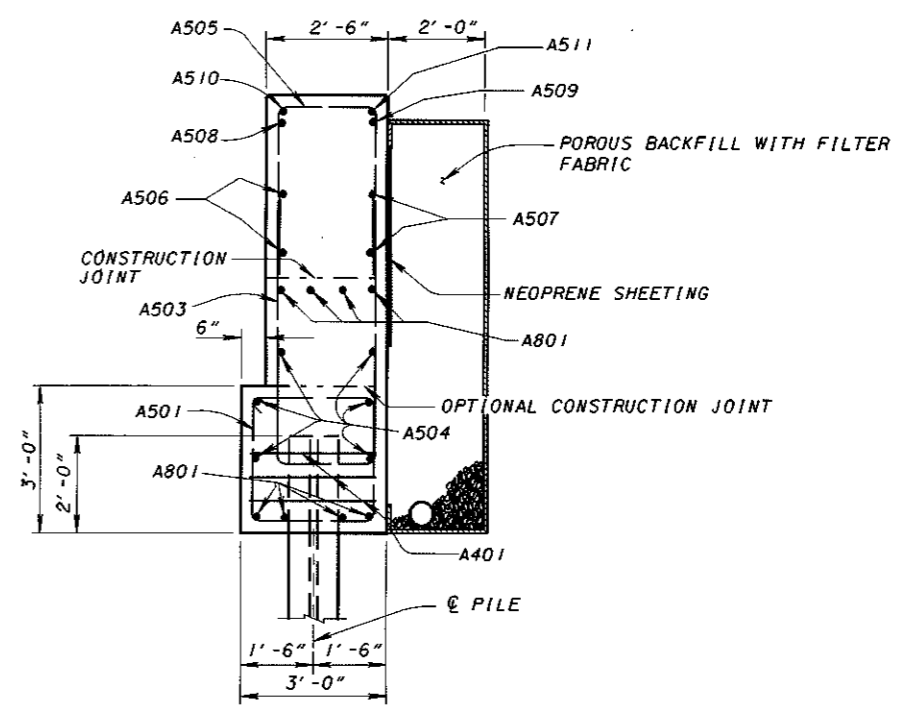
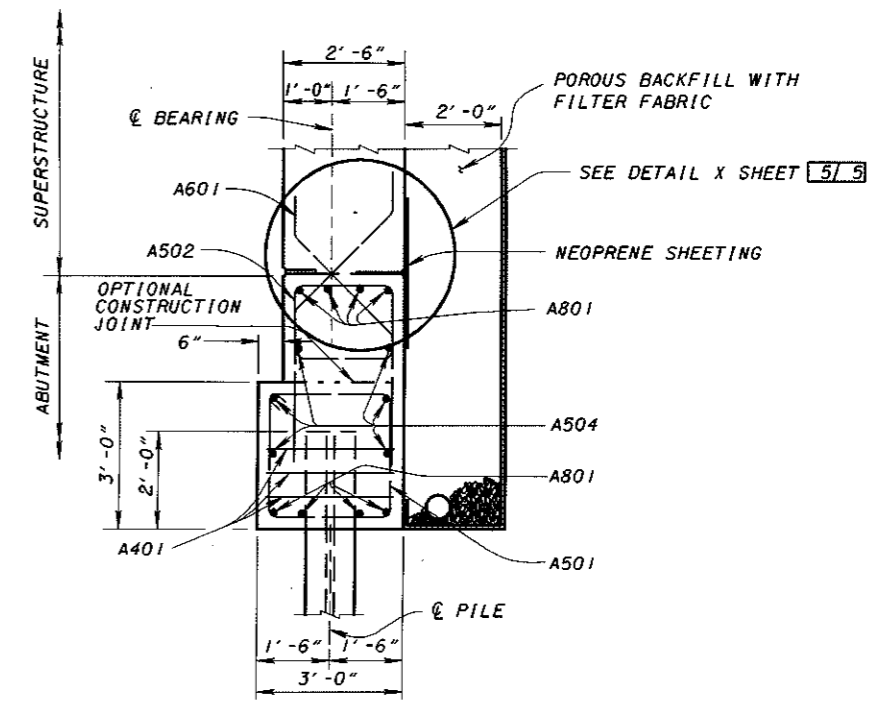
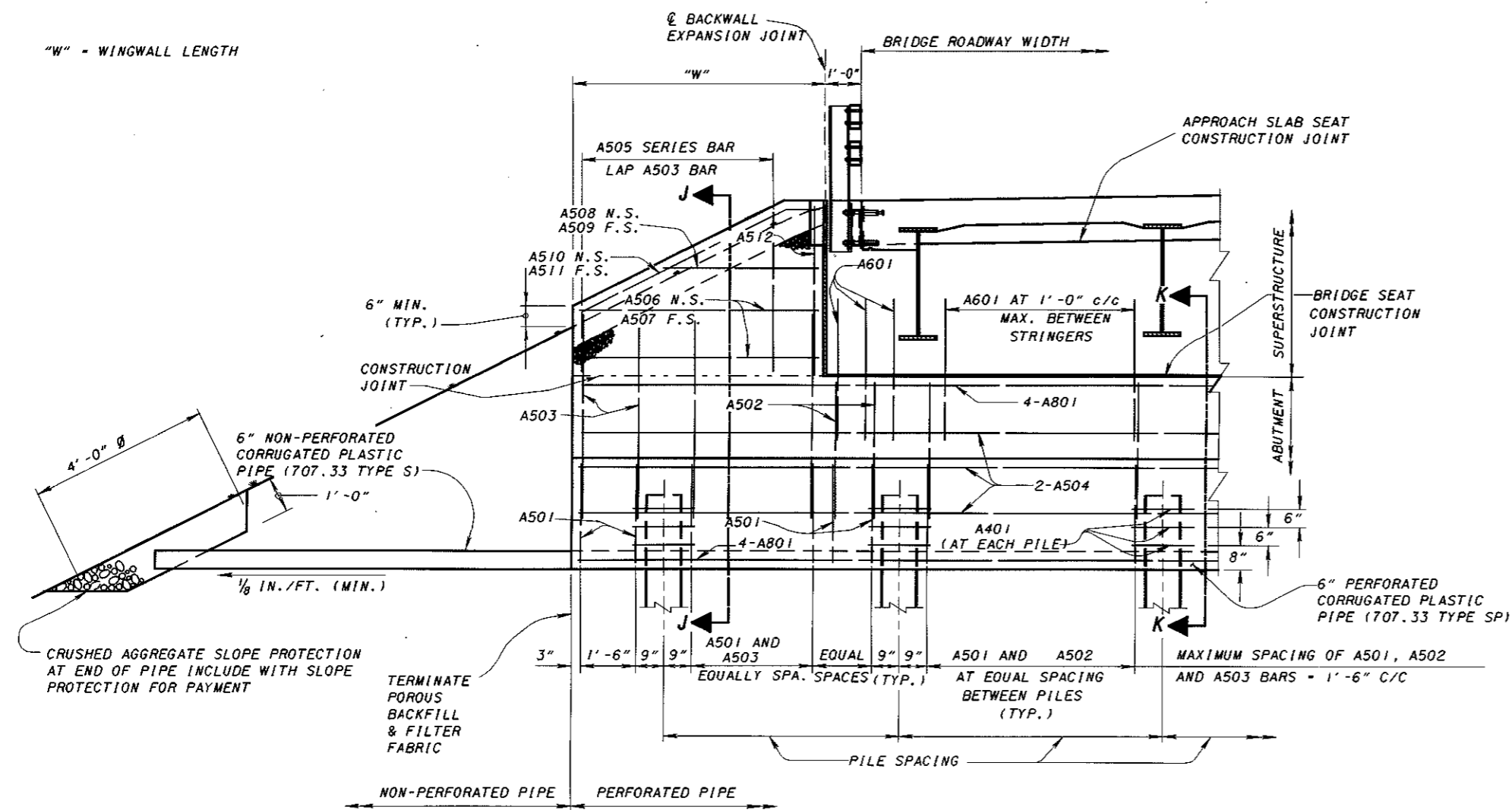


"W" = WINGWALL LENGTH



REINFORCING STEEL

MARK	LENGTH	SHAPE	BENDING DIAGRAMS
A801	①	ST.	<p>A. C, D-LENGTH MAY VARY WITH EACH INDIVIDUAL STRUCTURE. B-LENGTH AND INCREMENT (SERIES BAR) MAY VARY WITH EACH INDIVIDUAL STRUCTURE.</p>
A601	10'-9"	BT.	
A501	11'-0"	BT.	
A502	A	BT.	
A503	A	BT.	
A504	①	ST.	
A505	B	BT.	
A506	②	ST.	
A507	②	ST.	
A508	②	ST.	
A509	②	ST.	
A510	②	BT.	
A511	②	BT.	
A512	A	BT.	
A401	9'-1"	BT.	

① - 1/2 (LENGTH OF ABUTMENT-4") + 1/2 BAR LAP.
② - LENGTH IS DEPENDENT UPON DIMENSION "W" (LENGTH OF WINGWALL).