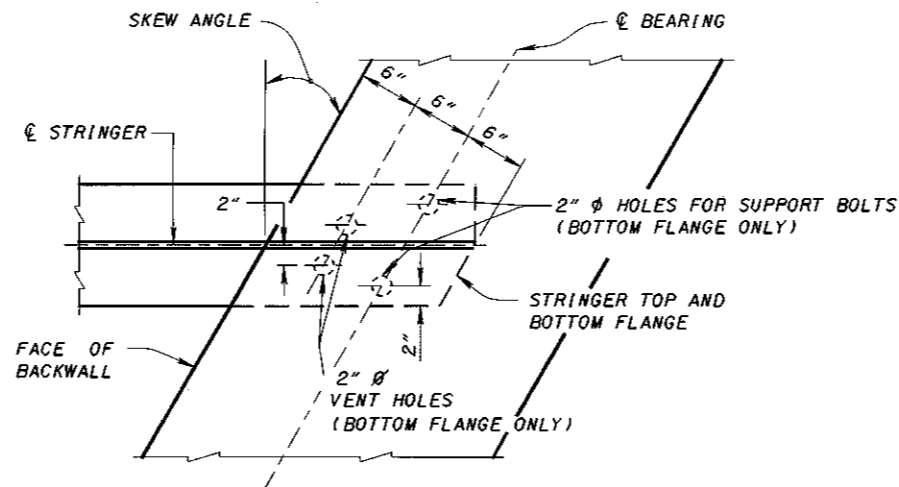


RECOMMENDED PIER BEARING

* FOR BEARING DESIGN DETAILS, CONNECTIONS AND NOTES, SEE STRUCTURE PLANS (TO BE SUPPLIED BY DESIGNER)

SECTION THRU ABUTMENT



SECTION M-M (SUPPORT BOLTS NOT SHOWN)

GENERAL NOTES

LIMITATIONS: THIS DESIGN IS INTENDED FOR SITES WHERE THERE ARE NO CONCERNS ABOUT SETTLEMENT OR DIFFERENTIAL SETTLEMENT, SKEWS NOT GREATER THAN 30°, FOR UNCURVED STRUCTURES, A BRIDGE EXPANSION LENGTH UP TO 250'-0" AND /OR A TOTAL LENGTH OF 400'-0". THE ABUTMENT TYPE MUST BE FLEXIBLE (CAPPED PILE ON A SINGLE ROW OF PILES, REGARDLESS OF PILE TYPE).

BRIDGE SEAT CONSTRUCTION JOINT: SHALL BE STRAIGHT BETWEEN ENDS OF BACKWALL.

HOLE LOCATIONS IN THE STRUCTURAL STEEL ARE TO BE DETAILED IN THE PROJECT PLANS. FLAME CUTTING OF HOLES IS NOT PERMITTED.

DESIGN AGENCY	OFFICE OF STRUCTURAL ENGINEERING
STATE OF OHIO DEPARTMENT OF TRANSPORTATION	DATE 3-20-95
ADMINISTRATOR	ADMINISTRATOR
REVISIONS	ICD-1-82
DESIGNED	MPB/MLM
CHECKED	RLD/JS
REVIEWED	WJ/LMW
STANDARD	ICD-1-82
INTEGRAL CONSTRUCTION DETAILS FOR STEEL BEAM AND GIRDER BRIDGES ON FLEXIBLE ABUTMENTS	
5	5