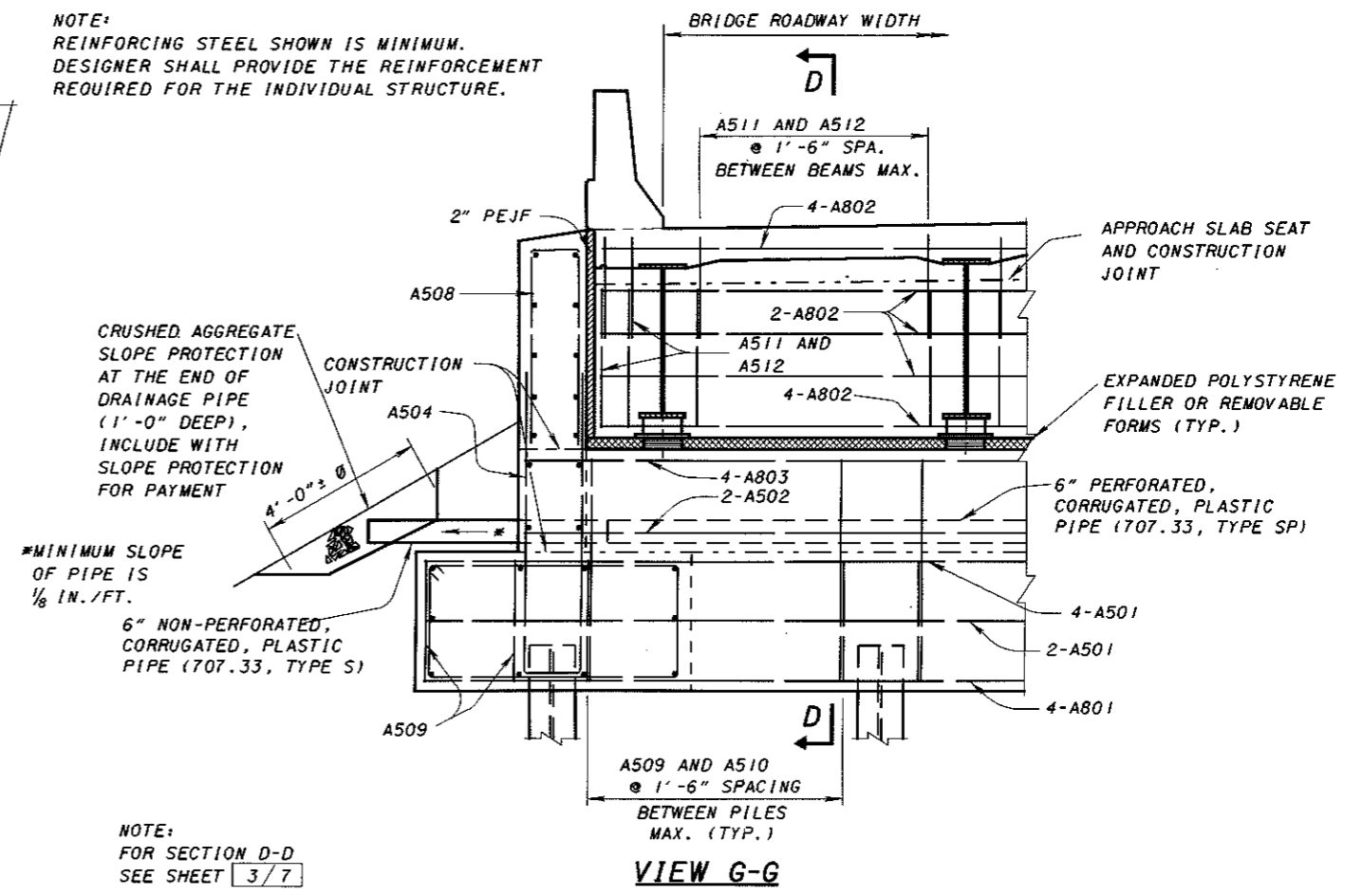


PART PLAN

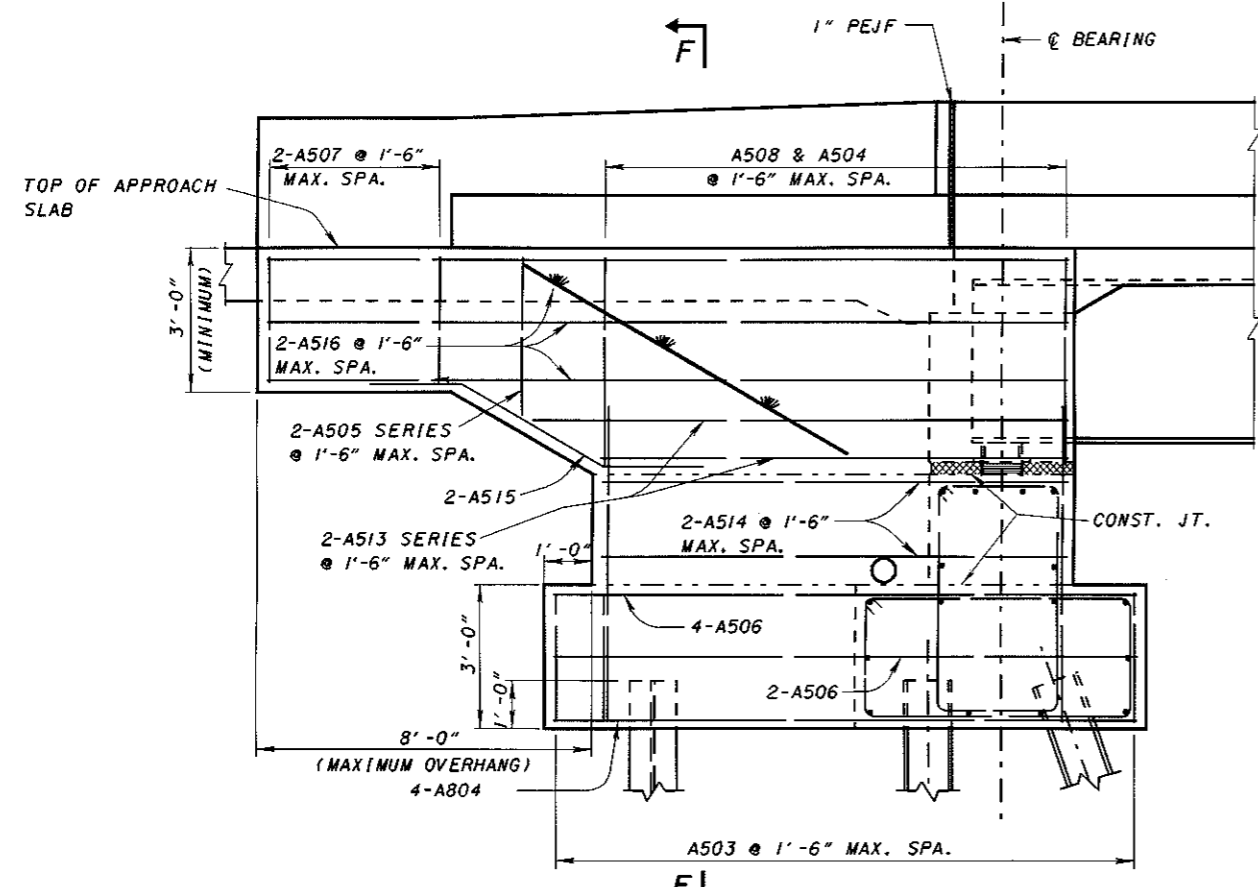
■ SPECIAL DESIGN OF APPROACH SLAB MAY BE REQUIRED

NOTE:
REINFORCING STEEL SHOWN IS MINIMUM.
DESIGNER SHALL PROVIDE THE REINFORCEMENT REQUIRED FOR THE INDIVIDUAL STRUCTURE.

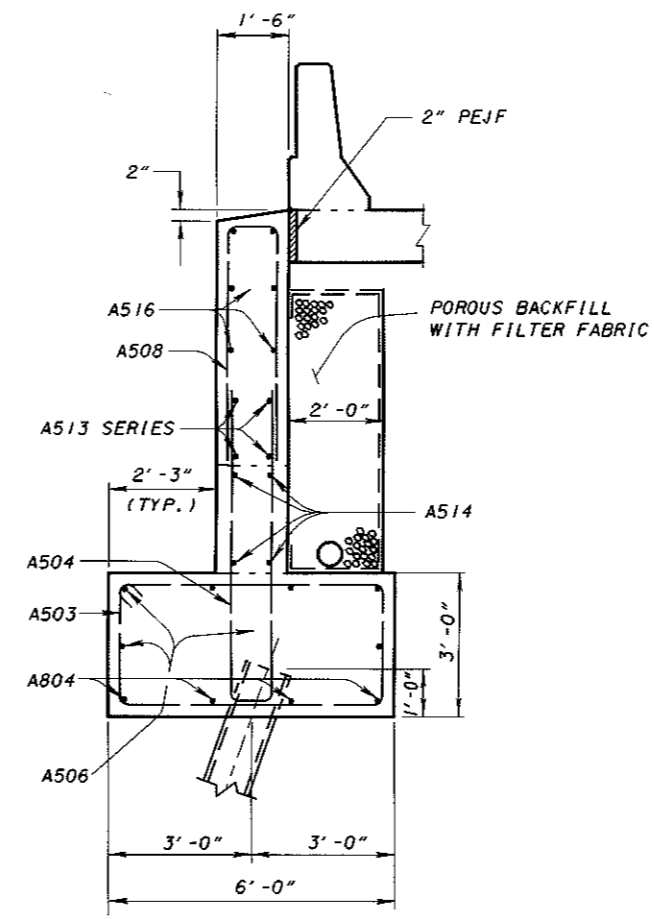


VIEW G-G

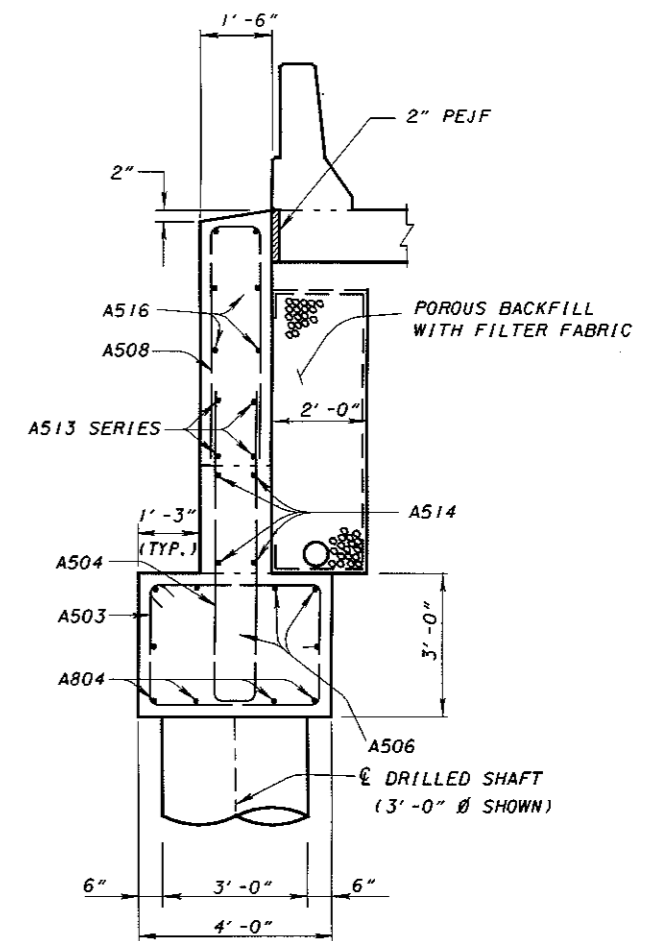
NOTE:
FOR SECTION D-D SEE SHEET 3/7



ELEVATION



SECTION F-F (ON PILES)



SECTION F-F (ON DRILLED SHAFTS)

DESIGN AGENCY
OFFICE OF
STRUCTURAL ENGINEERING
STATE OF OHIO DEPARTMENT OF TRANSPORTATION
2-12-97
DATE
ADMINISTRATOR
Brad Taggell
REVISIONS
04-20-01
DESIGNED
WLF
DRAWN
WLF
CHECKED
MRG/JS
LAW
REVIEWED
LAW
SICD-1-96

STANDARD
SEMI-INTEGRAL CONSTRUCTION DETAILS
FOR STEEL BEAM AND GIRDER BRIDGES
ON RIGID ABUTMENTS