

**PART PLAN**

STEEL TUBE & POSTS NOT SHOWN

SPECIAL DESIGN OF APPROACH SLAB MAY BE REQUIRED

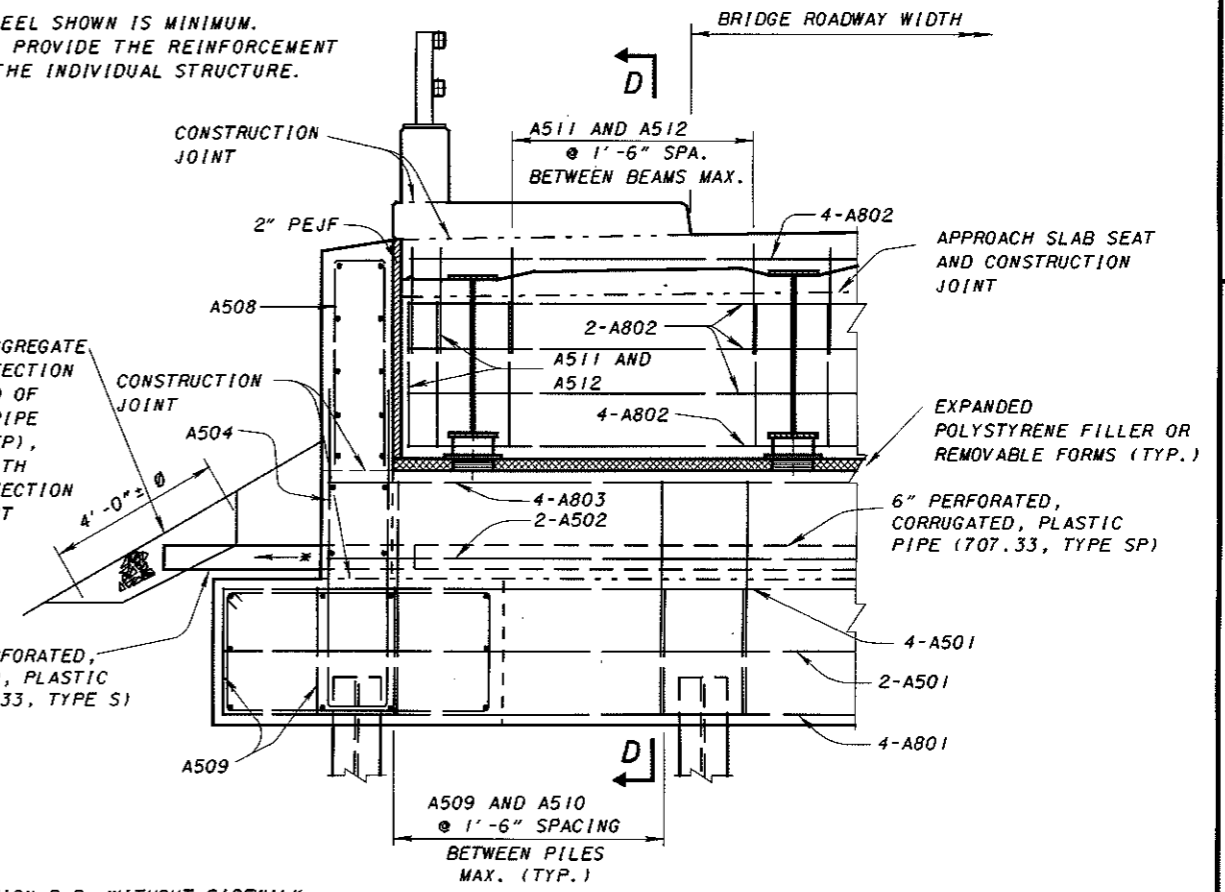
NOTE: REINFORCING STEEL SHOWN IS MINIMUM. DESIGNER SHALL PROVIDE THE REINFORCEMENT REQUIRED FOR THE INDIVIDUAL STRUCTURE.

\*MINIMUM SLOPE OF PIPE IS 1/8 IN./FT.

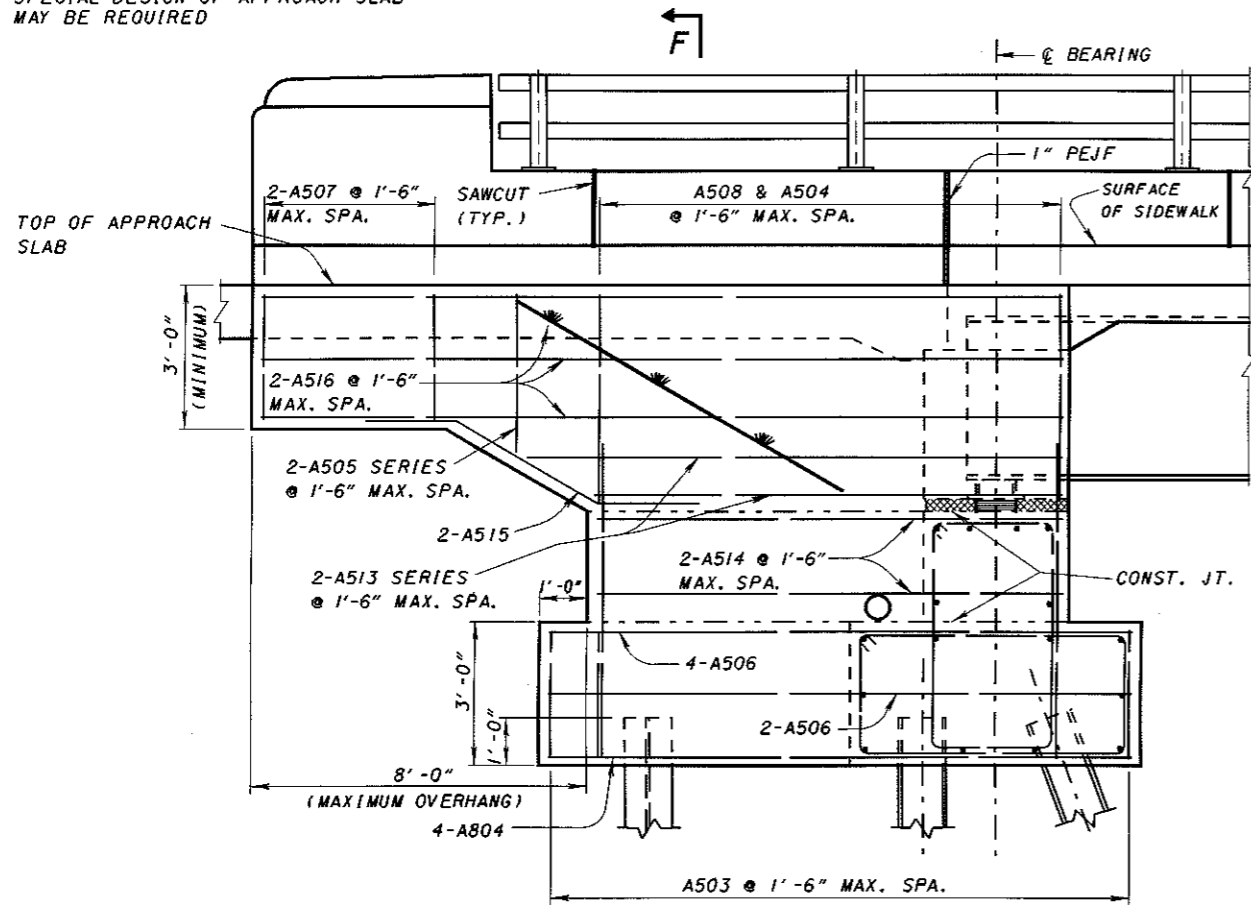
CRUSHED AGGREGATE SLOPE PROTECTION AT THE END OF DRAINAGE PIPE (1'-0" DEEP), INCLUDE WITH SLOPE PROTECTION FOR PAYMENT

6" NON-PERFORATED, CORRUGATED, PLASTIC PIPE (707.33, TYPE S)

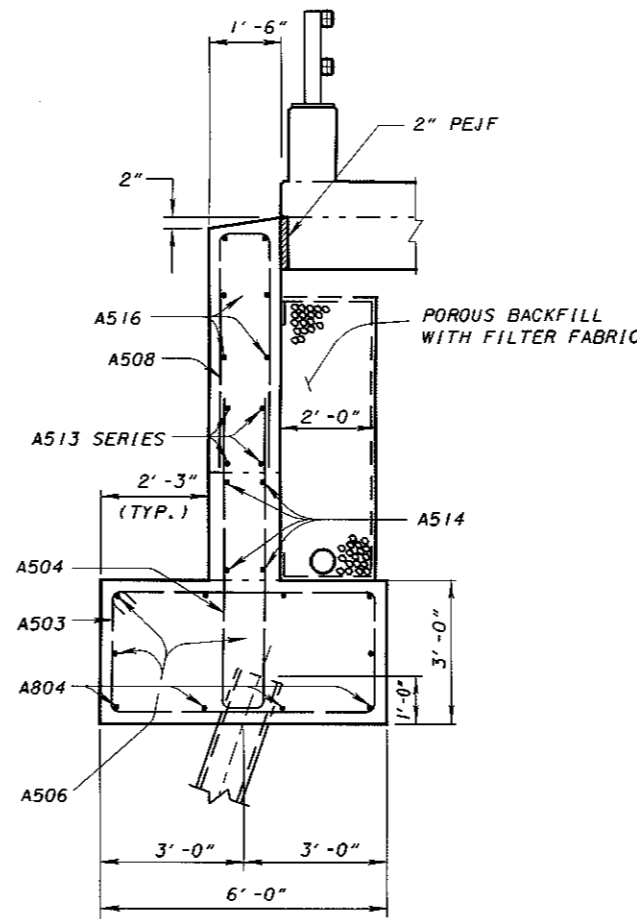
NOTE: FOR SECTION D-D, WITHOUT SIDEWALK, SEE SHEET 3/7



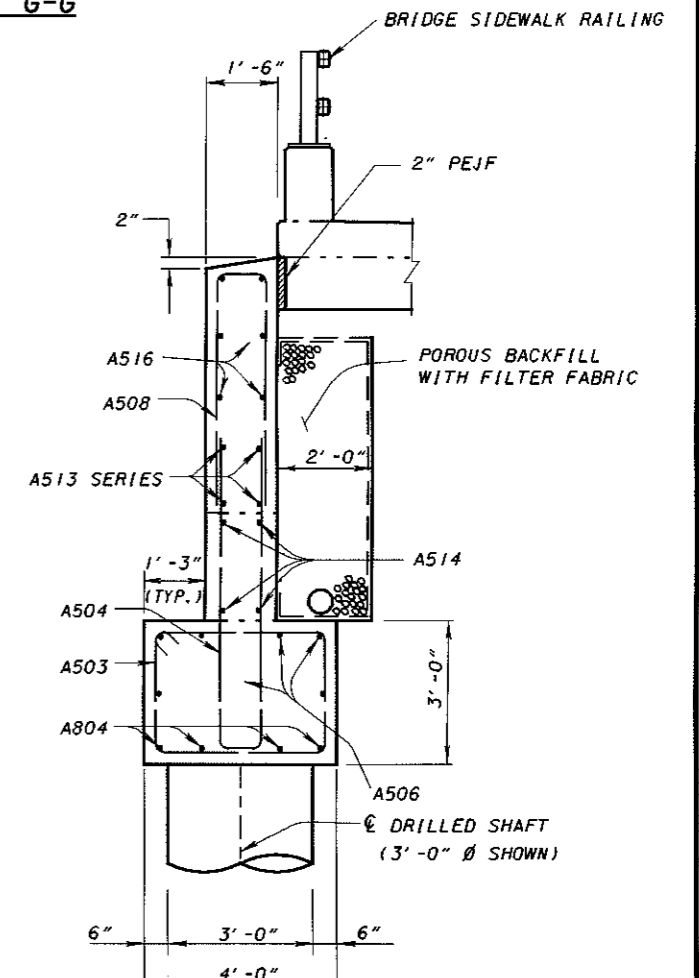
**VIEW G-G**



**ELEVATION**



**SECTION F-F (ON PILES)**



**SECTION F-F (ON DRILLED SHAFTS)**