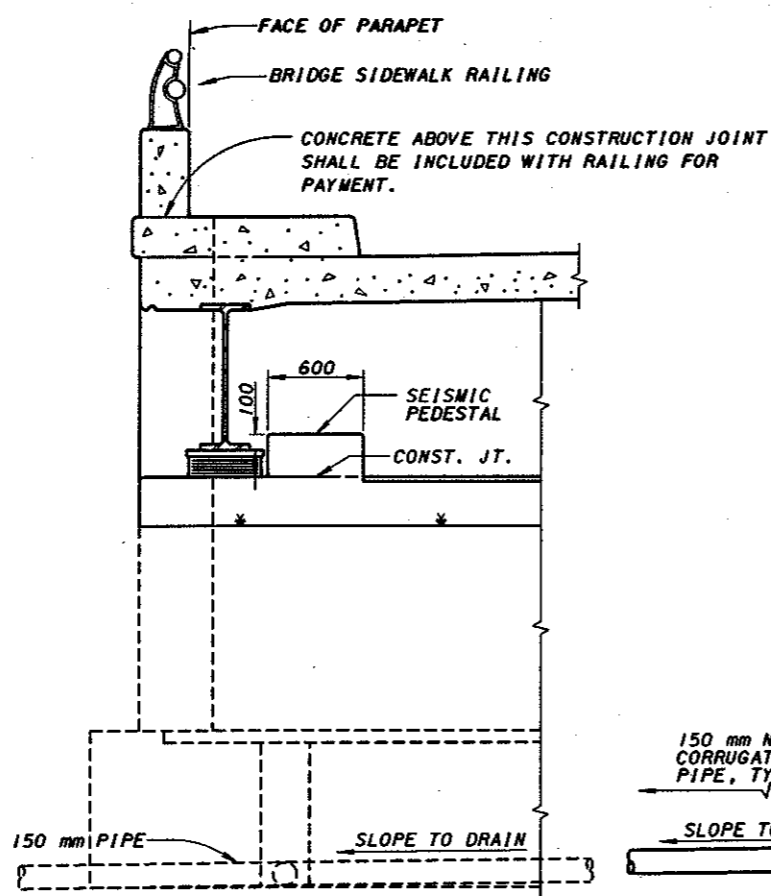
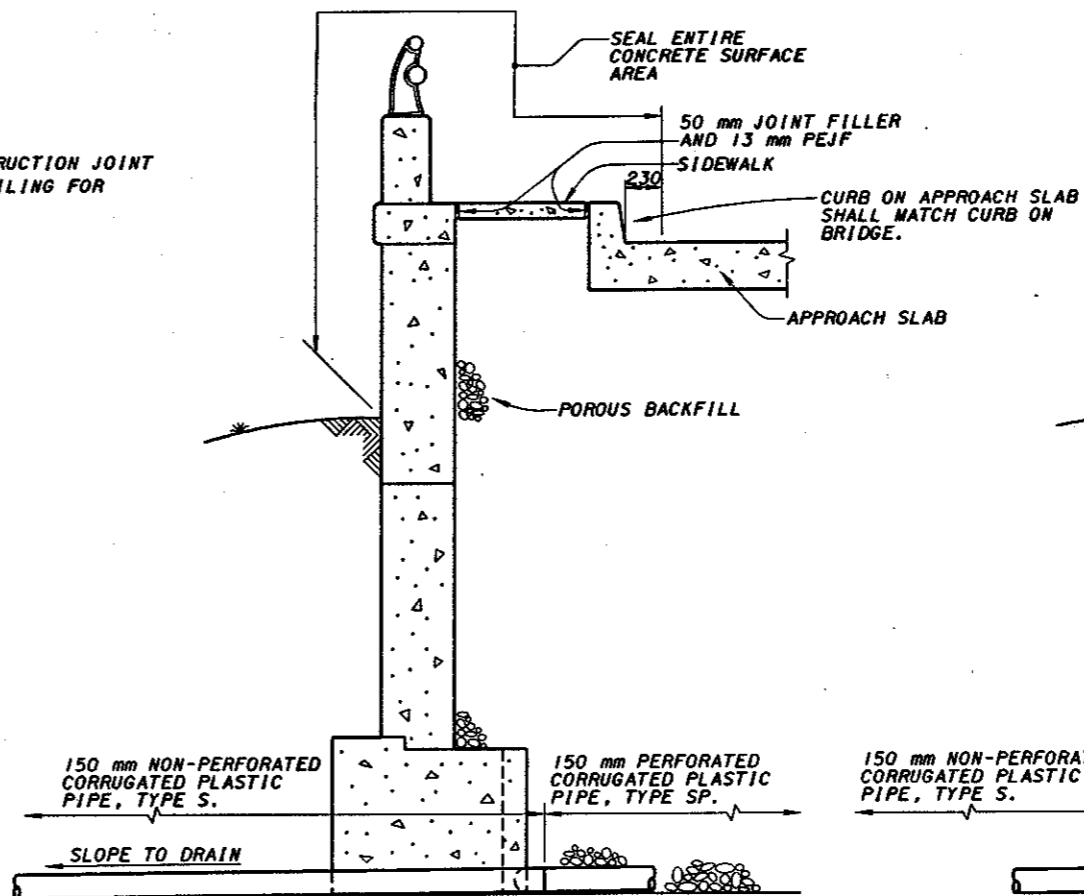


SECTION D-D



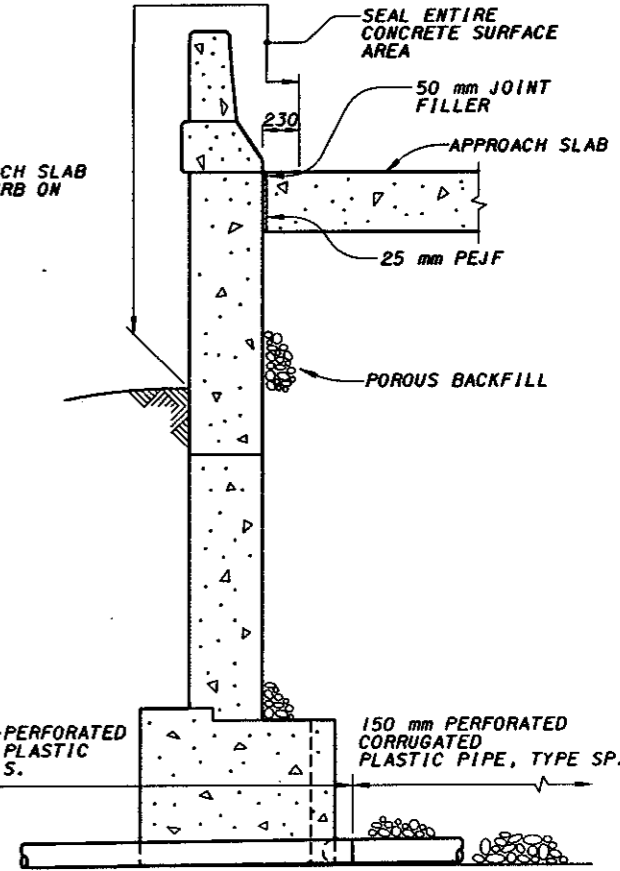
SECTION G-G



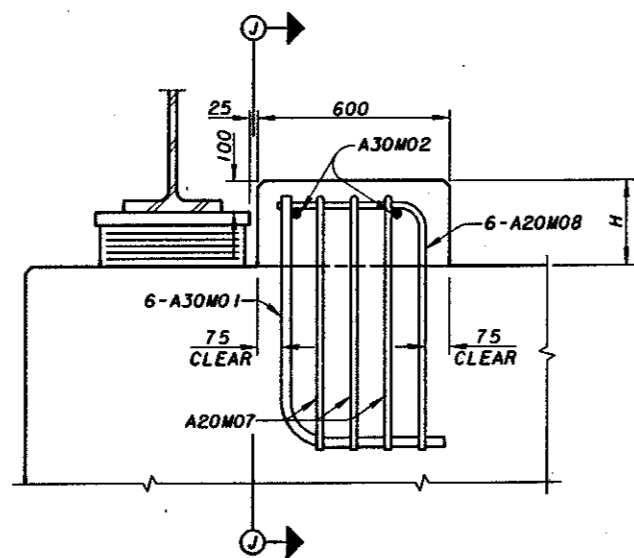
SECTION F-F

SEE SHEET 1/5 FOR DRAINAGE PIPE OUTLET DETAIL.

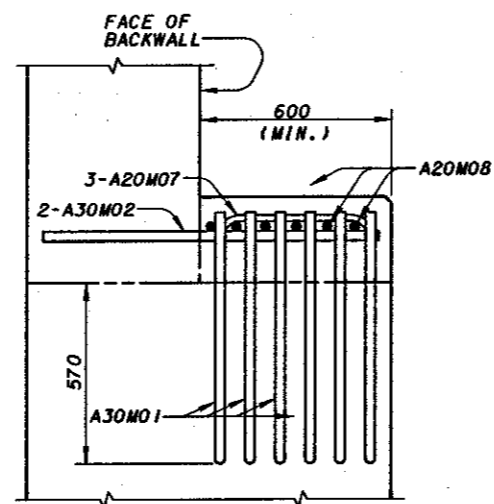
PEJF - PREFORMED EXPANSION JOINT FILLER.



SECTION H-H



FRONT VIEW OF PEDESTAL  
NOTE: CONCRETE COVER WILL BE 50 mm UNLESS OTHERWISE NOTED.



VIEW J-J

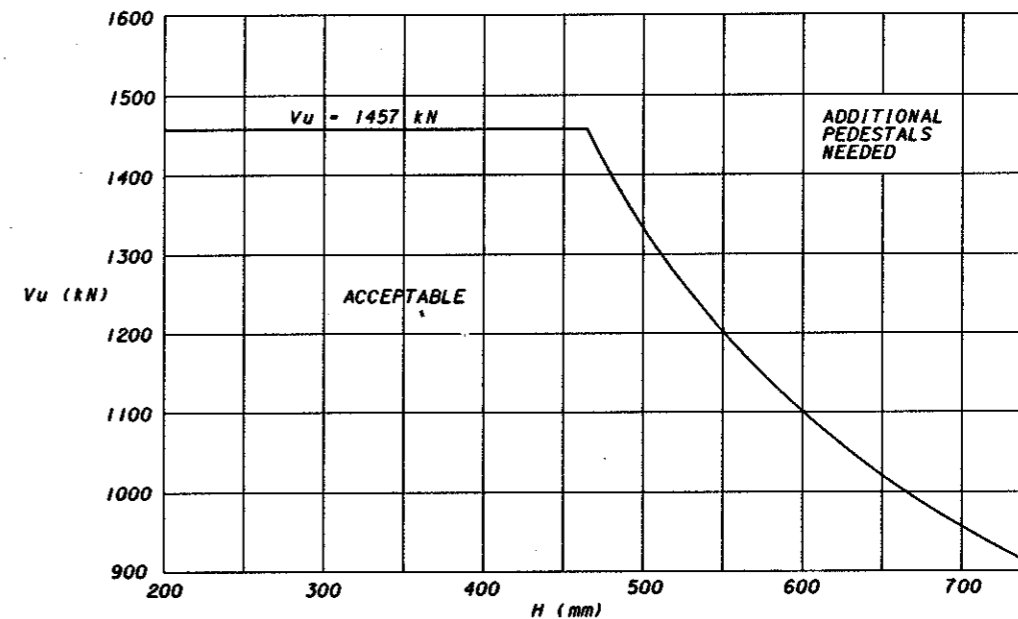


TABLE A

Vu - HORIZONTAL SEISMIC FORCE TO BE RESTRAINED BY ONE PEDESTAL

H - PEDESTAL HEIGHT