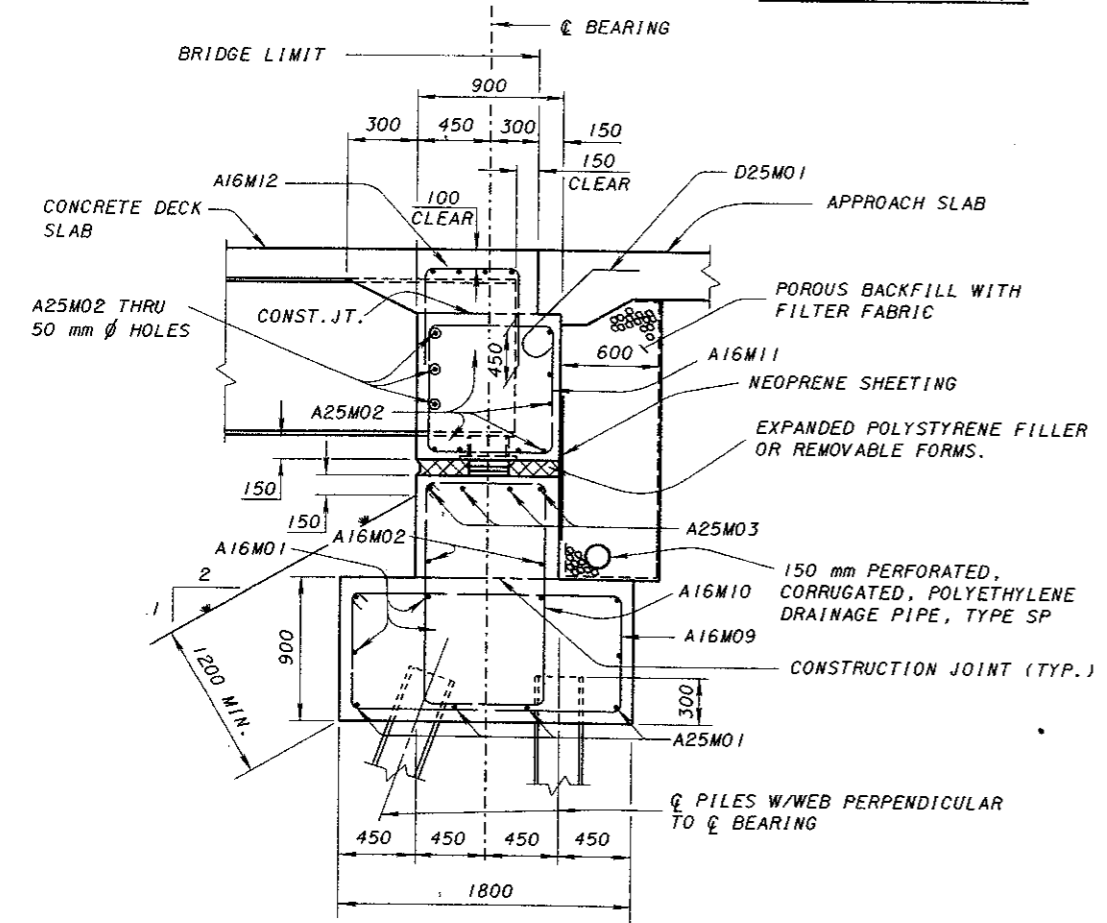
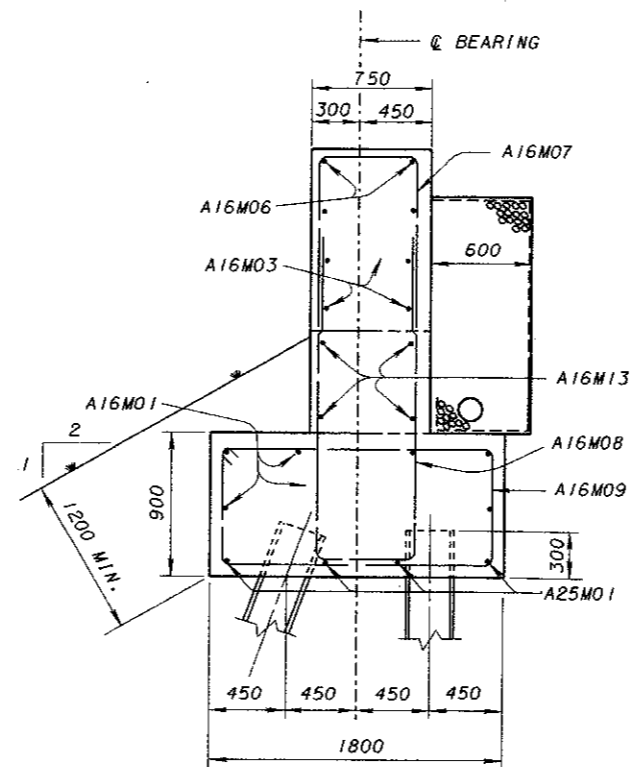


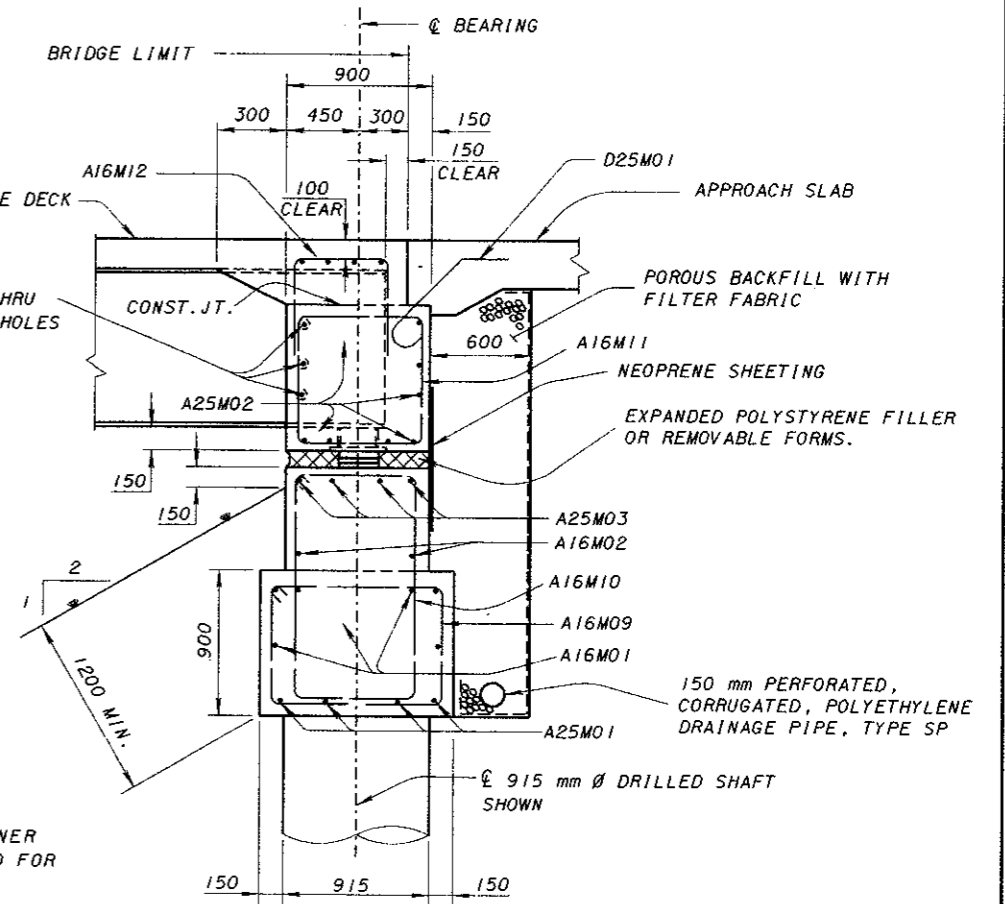
PART ELEVATION



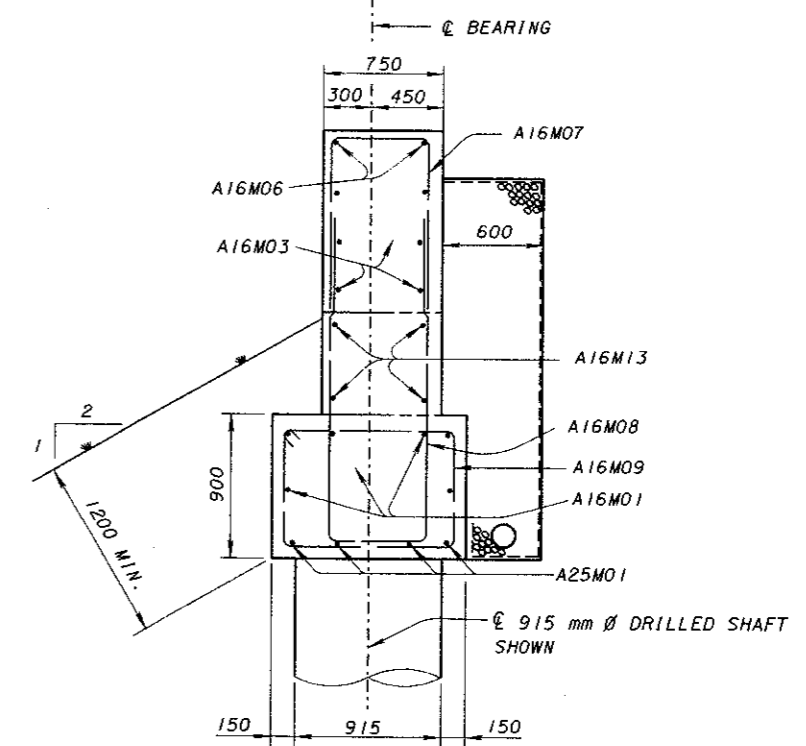
**SECTION D-D
(ON PILES)**



**SECTION E-E
(ON PILES)**



**SECTION D-D
(ON DRILLED SHAFT)**



**SECTION E-E
(ON DRILLED SHAFT)**

NOTE:
REINFORCING STEEL SHOWN IS MINIMUM. DESIGNER
SHALL PROVIDE THE REINFORCEMENT REQUIRED FOR
THE INDIVIDUAL STRUCTURE.

DESIGN AGENCY	OFFICE OF	STRUCTURAL ENGINEERING
STATE OF OHIO DEPARTMENT OF TRANSPORTATION	DATE	2-12-97
ADMINISTRATOR	ADMINISTRATOR	Brad Fassell
REVISIONS	CHECKED	REVIEWED
	MRG/JJS	LWJ
DESIGNED	WLF	CRANK
	WLF	WLF
STANDARD		
SEMI-INTERGRAL CONSTRUCTION DETAILS		
3 / 7		