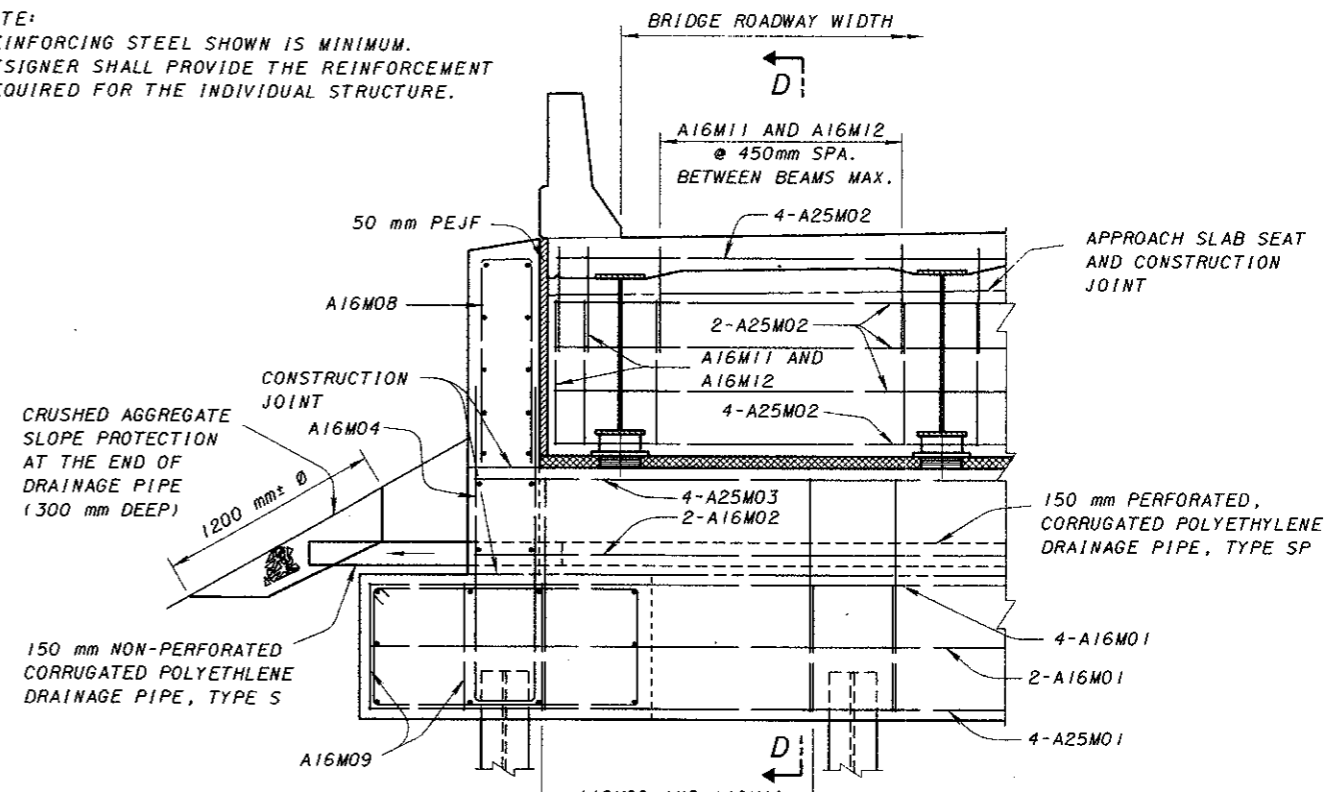


PART PLAN

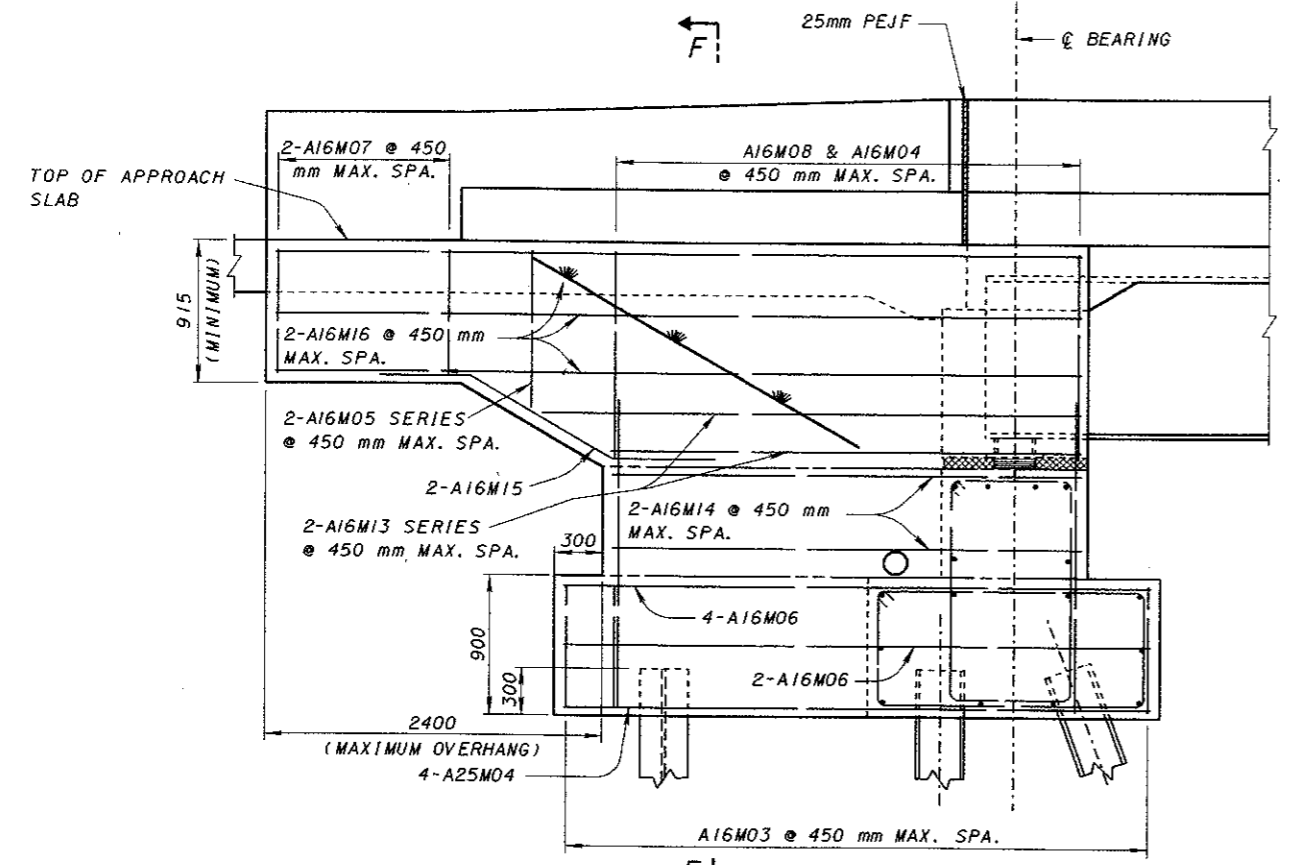
■ SPECIAL DESIGN OF APPROACH SLAB MAY BE REQUIRED

NOTE:
REINFORCING STEEL SHOWN IS MINIMUM.
DESIGNER SHALL PROVIDE THE REINFORCEMENT
REQUIRED FOR THE INDIVIDUAL STRUCTURE.

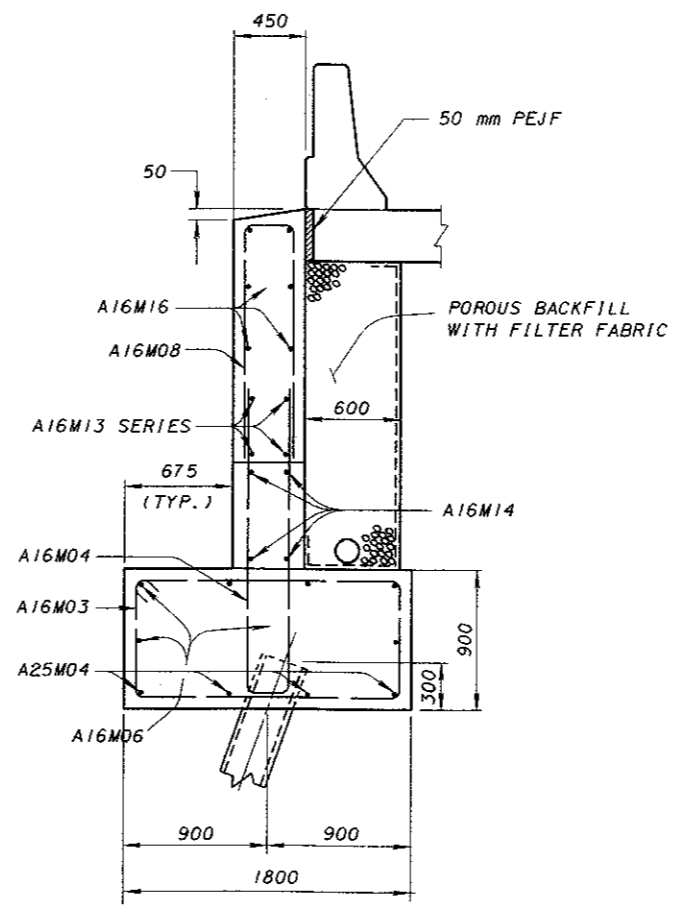


VIEW G-G

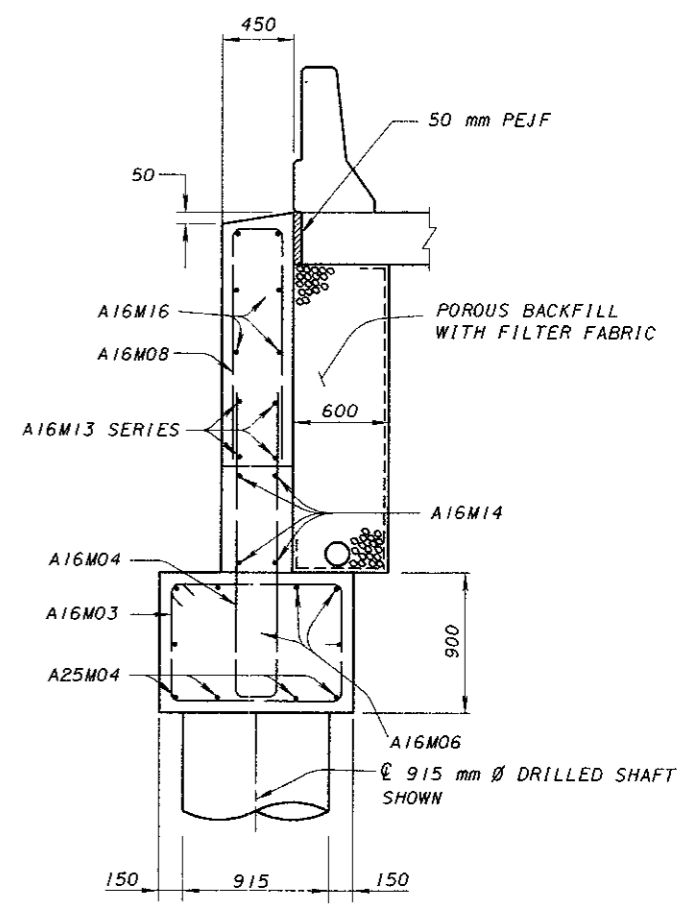
NOTE:
FOR SECTION D-D
SEE SHEET 3/7



ELEVATION



SECTION F-F (ON PILES)



SECTION F-F (ON DRILLED SHAFTS)

DESIGN AGENCY	OFFICE OF	STRUCTURAL ENGINEERING
STATE OF OHIO DEPARTMENT OF TRANSPORTATION	DATE	2-12-97
ADMINISTRATOR		Bruce Fagnell
REVISIONS	CHECKED	REVIEWED
	MFG./J/S	L/M
	WLF	WLF
STANDARD	STCD-1-96M	
SEMI-INTERGRAL CONSTRUCTION DETAILS		
4 / 7		