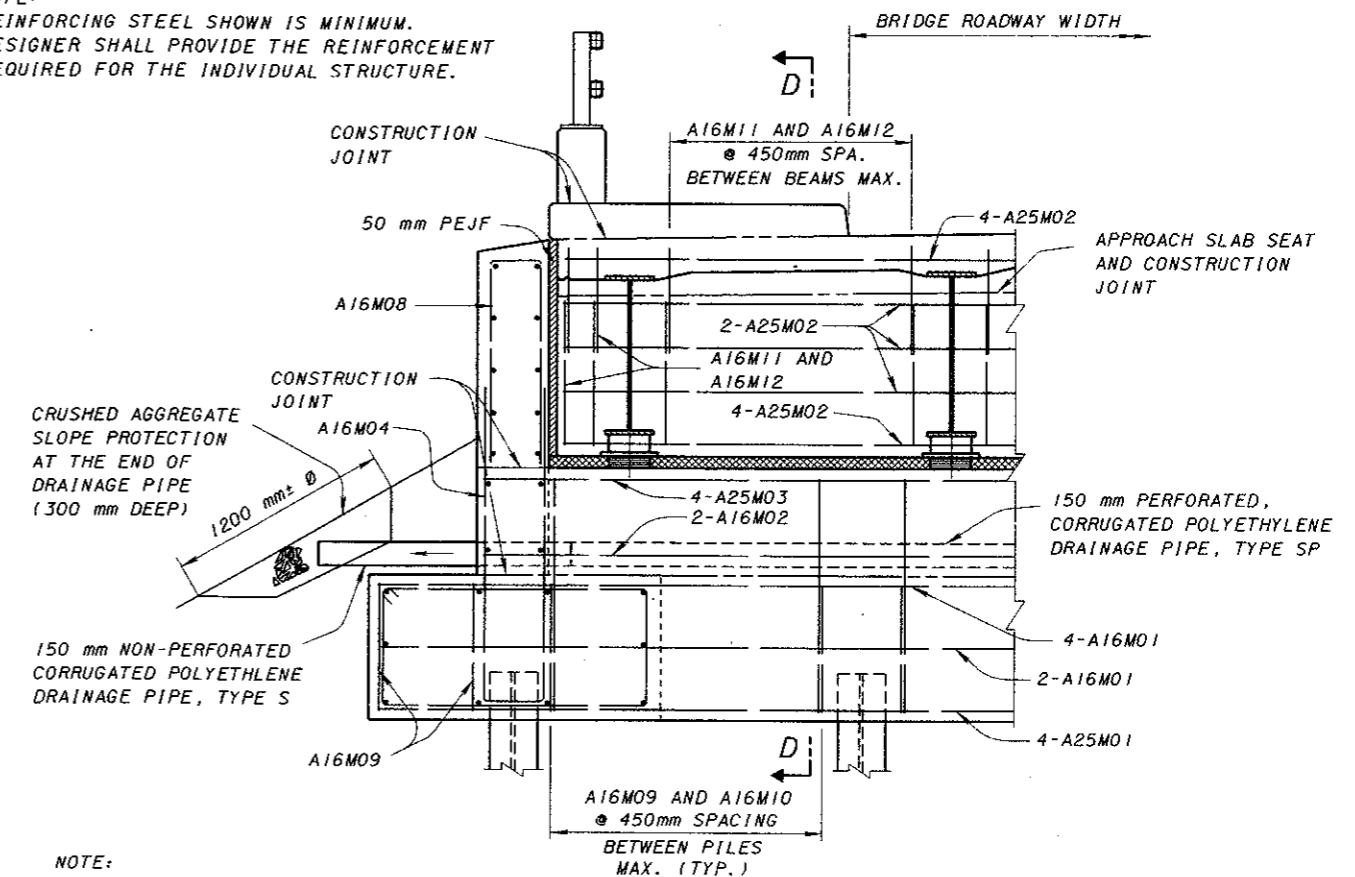


PART PLAN
HAND RAIL NOT SHOWN

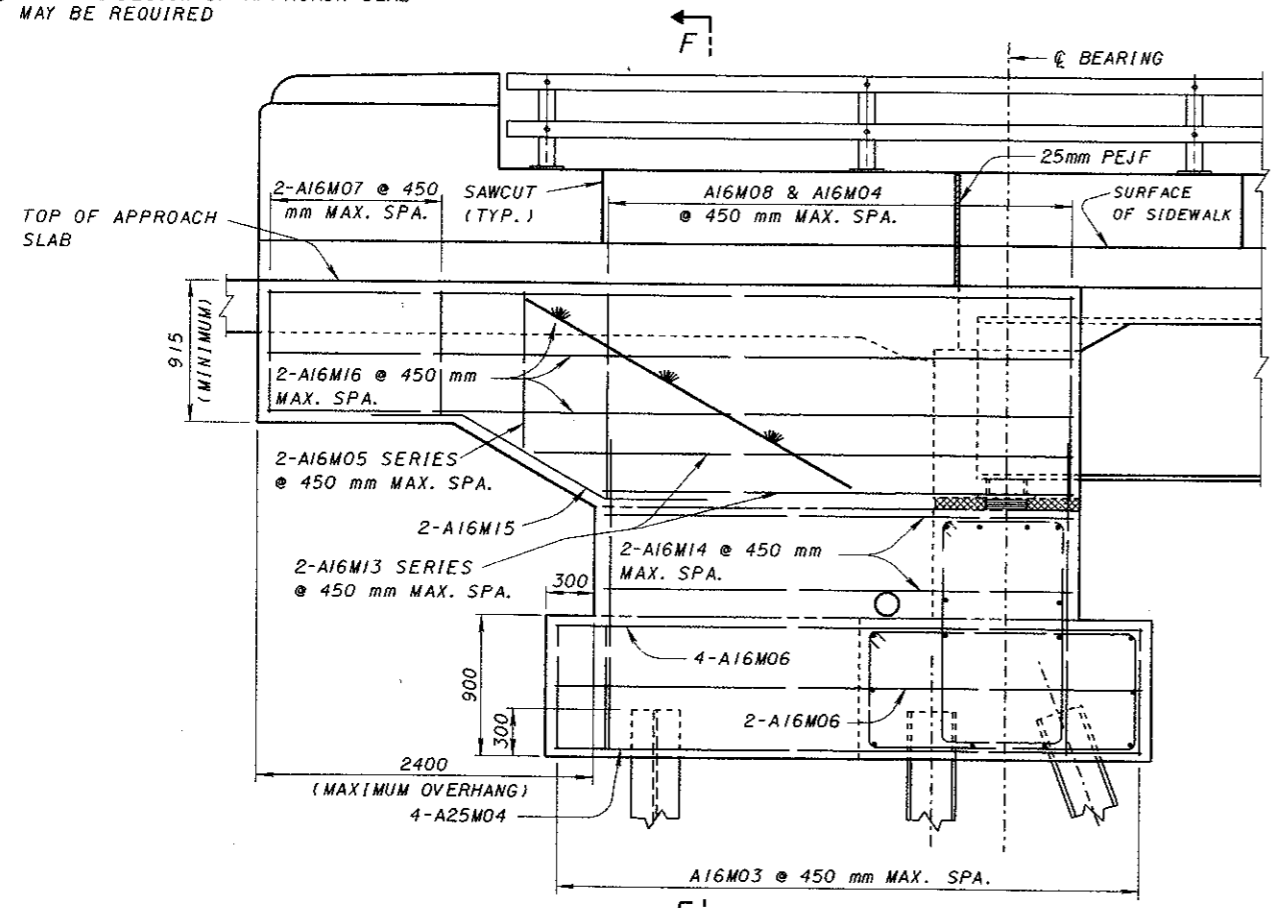
■ SPECIAL DESIGN OF APPROACH SLAB MAY BE REQUIRED

NOTE:
REINFORCING STEEL SHOWN IS MINIMUM.
DESIGNER SHALL PROVIDE THE REINFORCEMENT
REQUIRED FOR THE INDIVIDUAL STRUCTURE.

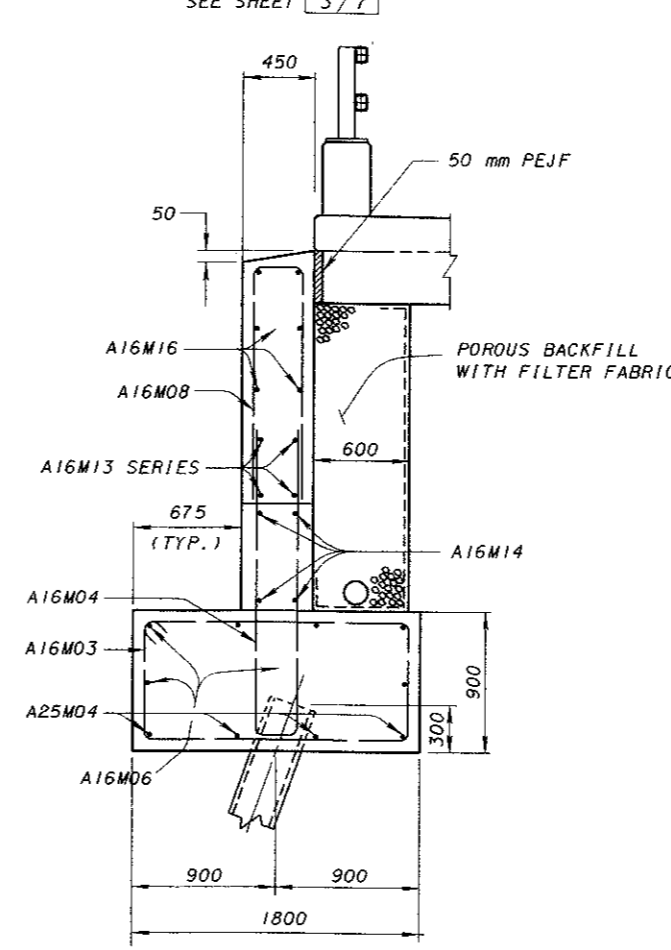


VIEW G-G

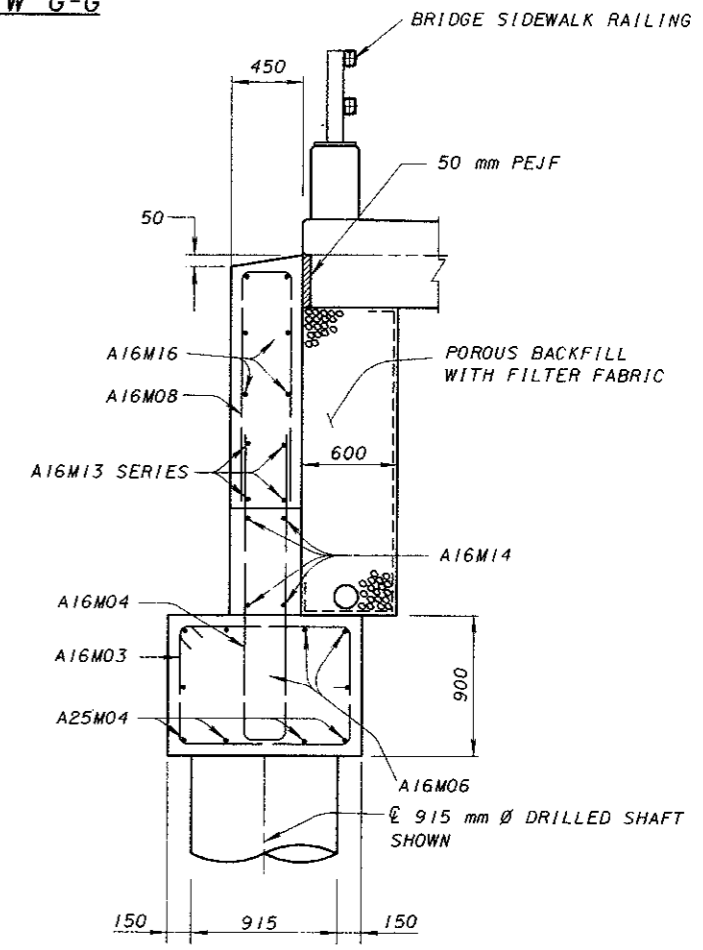
NOTE:
FOR SECTION D-D
SEE SHEET 3/7



ELEVATION



**SECTION F-F
(ON PILES)**



**SECTION F-F
(ON DRILLED SHAFTS)**

DESIGN AGENCY: OFFICE OF STRUCTURAL ENGINEERING
 STATE OF OHIO DEPARTMENT OF TRANSPORTATION
 REVIEWED: LMW
 CHECKED: MFG/JS
 DESIGNED: WLF
 DRAWN: WLF
 REVISIONS:
 STANDARD: SEMI-INTEGRAL CONSTRUCTION DETAILS
 DATE: 2-12-97
 ADMINISTRATOR: Brad Fagnell