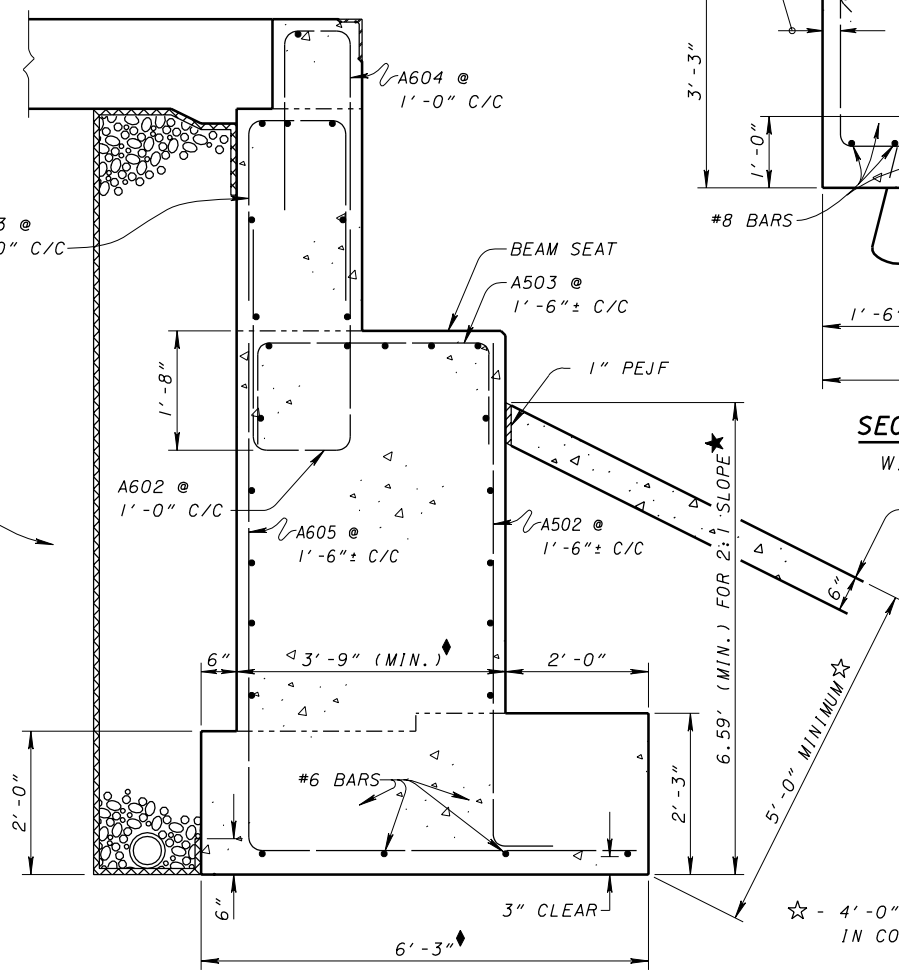
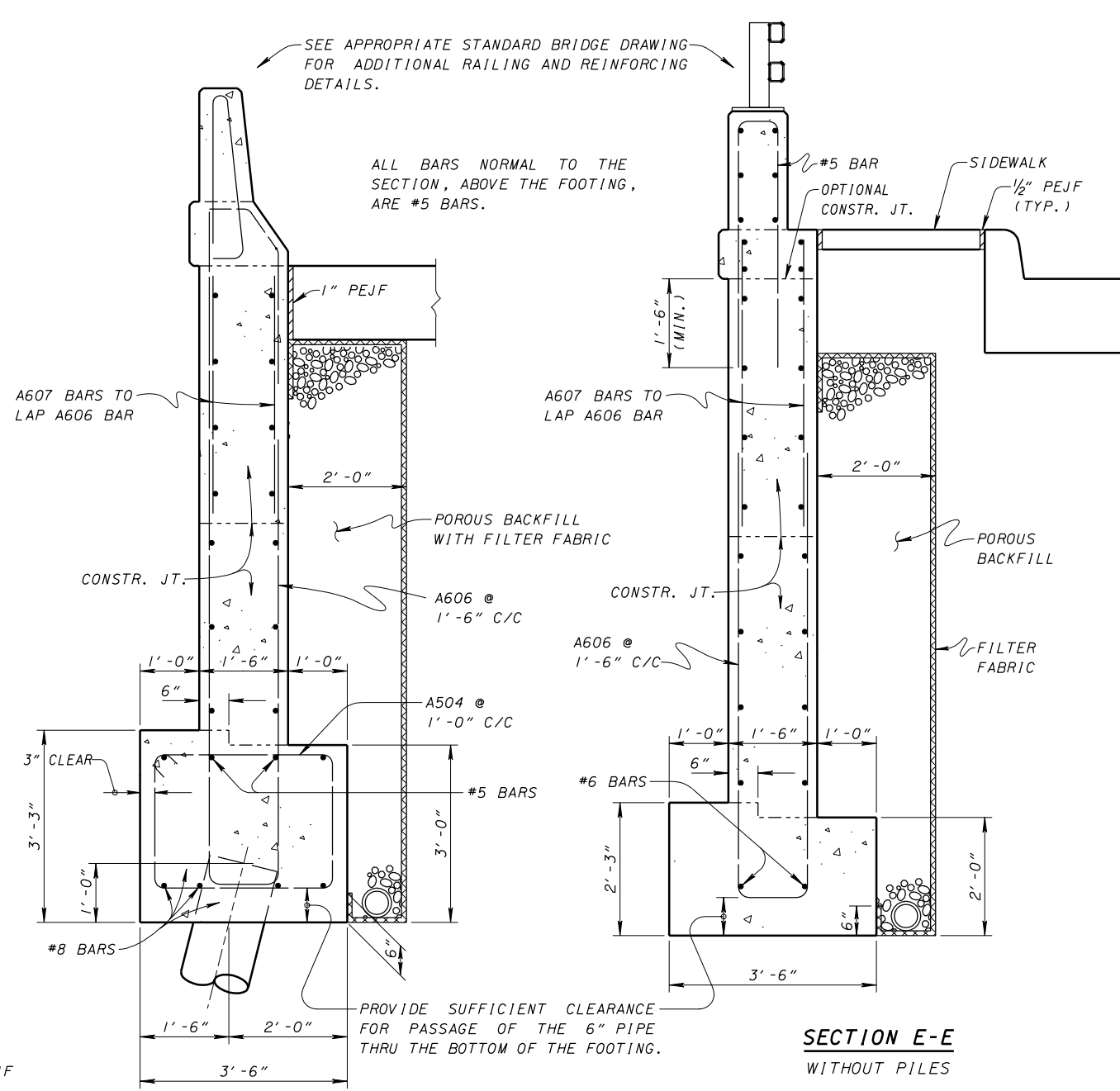


* - BARS SHALL BE EQUALLY SPACED BETWEEN PILES AT 1'-6" MAXIMUM.

SECTION A-A
WITH PILES



SECTION A-A
WITHOUT PILES



SECTION C-C
WITH PILES

SECTION E-E
WITHOUT PILES

NOTES & LEGEND

1. THE MAXIMUM SPACING FOR PILES IN THE FRONT ROW SHALL BE 8'-0". USUALLY PILES IN THE BACK ROW SHALL BE PLACED DIRECTLY BEHIND ALTERNATE FRONT ROW PILES.
2. THE CONCRETE COVER SHALL BE 2" UNLESS OTHERWISE NOTED.
3. FOR FOOTINGS WITHOUT PILES FOUNDED ON BEDROCK WHERE THE TOP OF BEDROCK ELEVATION IS NEAR THE BEAM SEAT ELEVATION, A SPECIAL DESIGN IS REQUIRED. THE MINIMUM BEDROCK EMBEDMENT SHALL BE 3".

PEJF - PREFORMED EXPANSION JOINT FILLER
 ◆ - THE BEARING SEAT MAY REQUIRE ADDITIONAL WIDTH IN ORDER TO MEET AASHTO SEISMIC SEAT WIDTH REQUIREMENTS.

☆ - 4'-0" MINIMUM WHEN FOUNDED IN COMPETENT BEDROCK.
 ★ - 5.47' MINIMUM WHEN FOUNDED IN COMPETENT BEDROCK.