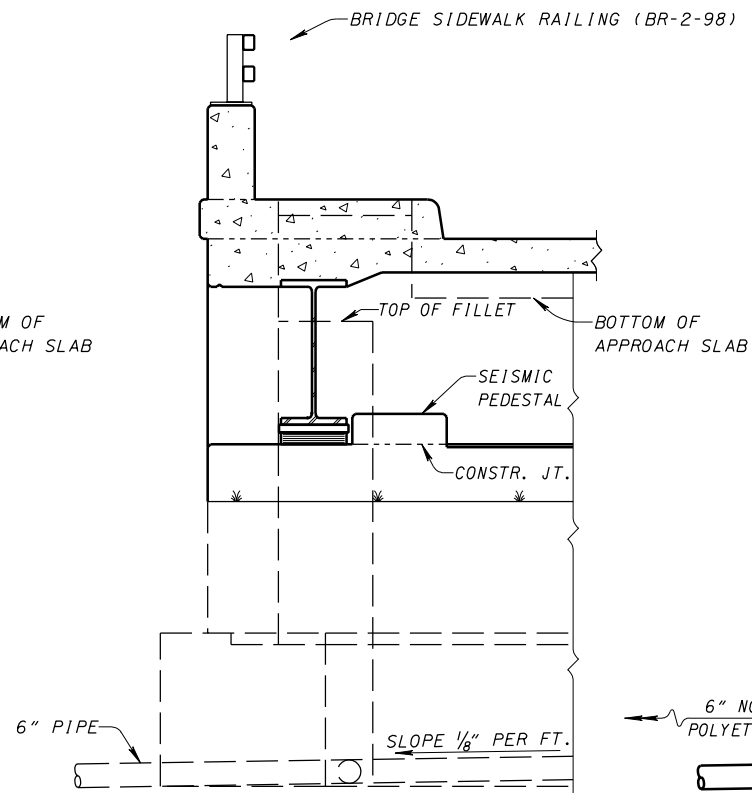
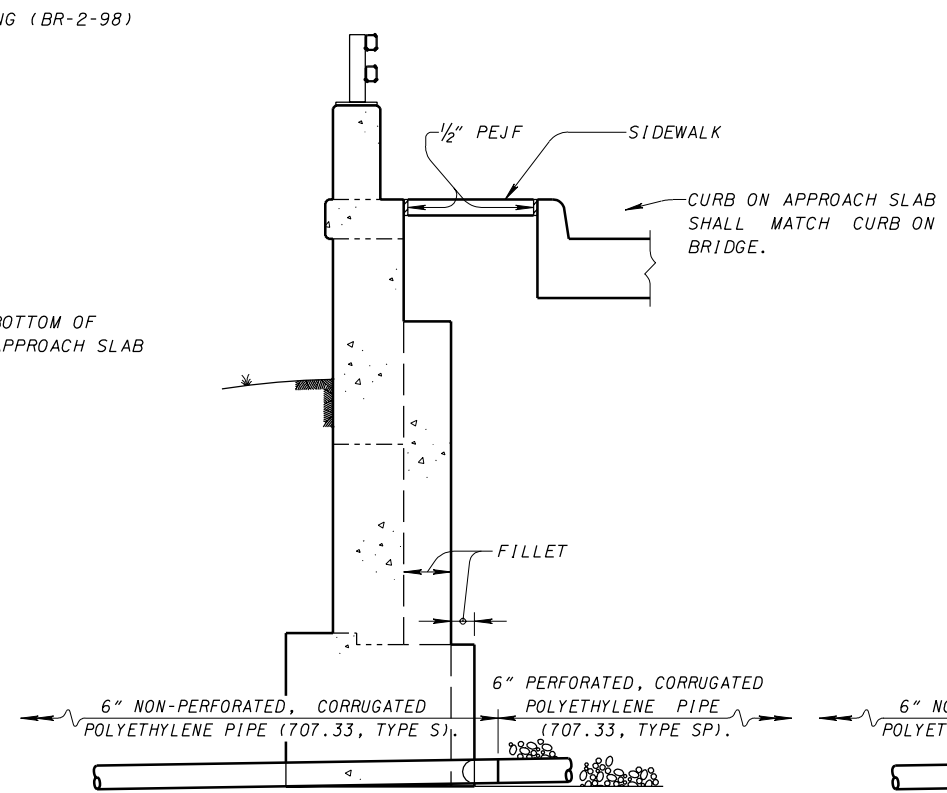


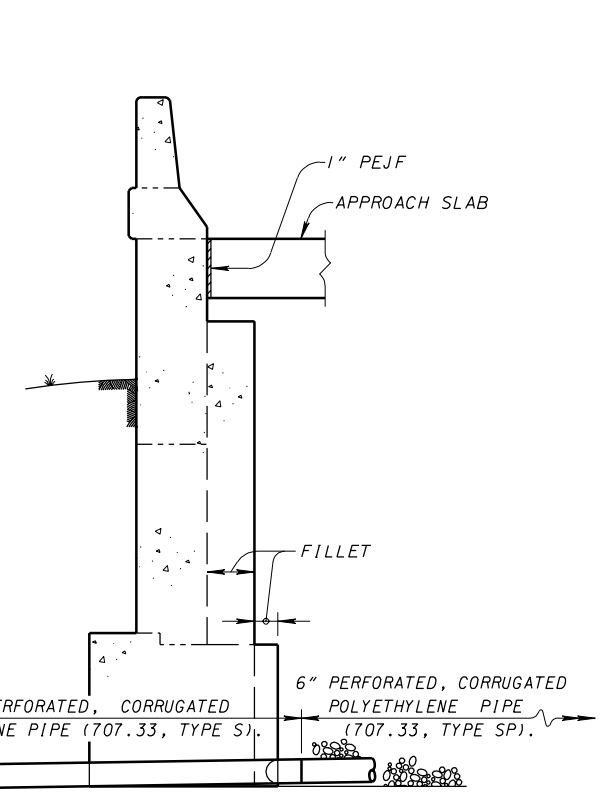
SECTION D-D



SECTION G-G

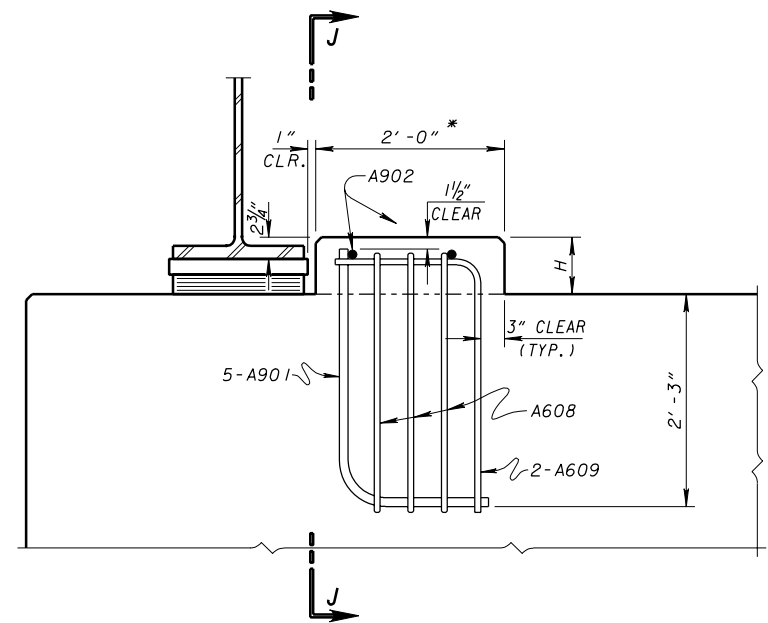


SECTION F-F



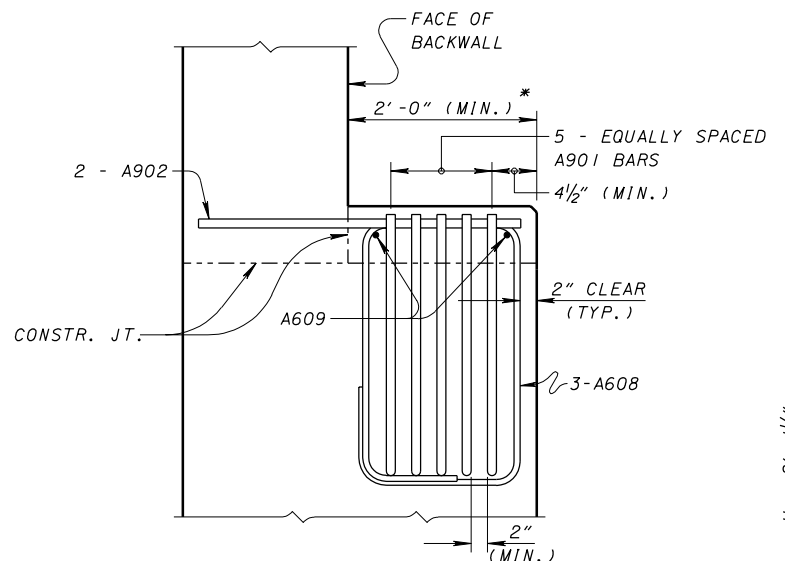
SECTION H-H

SEE SHEET 15 FOR DRAINAGE PIPE OUTLET DETAIL.
 PEJF - PREFORMED EXPANSION JOINT FILLER.



FRONT VIEW OF SEISMIC PEDESTAL

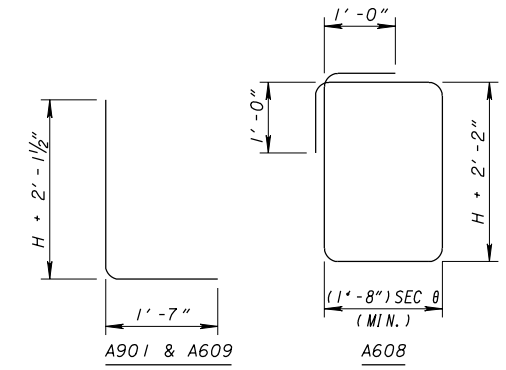
THE 2'-0" WIDTH OF THE PEDESTAL SHALL BE MEASURED PARALLEL TO THE CENTERLINE OF BEARING. THE A901 & A609 BARS SHALL BE PLACED PARALLEL TO THE CENTERLINE OF BEARING. THE A902 & A608 BARS SHALL BE PLACED PARALLEL TO THE BEAMS OR GIRDERS.



SECTION J-J

THE LOCATION OF THE MAIN REINFORCEMENT IN THE BEAM SEAT MAY BE ADJUSTED HORIZONTALLY ±1" TO ACCOMMODATE THE A901 BARS.

* - THE SURFACE OF THE BEAM SEAT IN THIS AREA SHALL BE FINISHED WITH A SERRATED TROWEL. THE SERRATIONS SHALL BE 1/4" DEEP MINIMUM.



BENDING DIAGRAMS
 theta = SKEW ANGLE

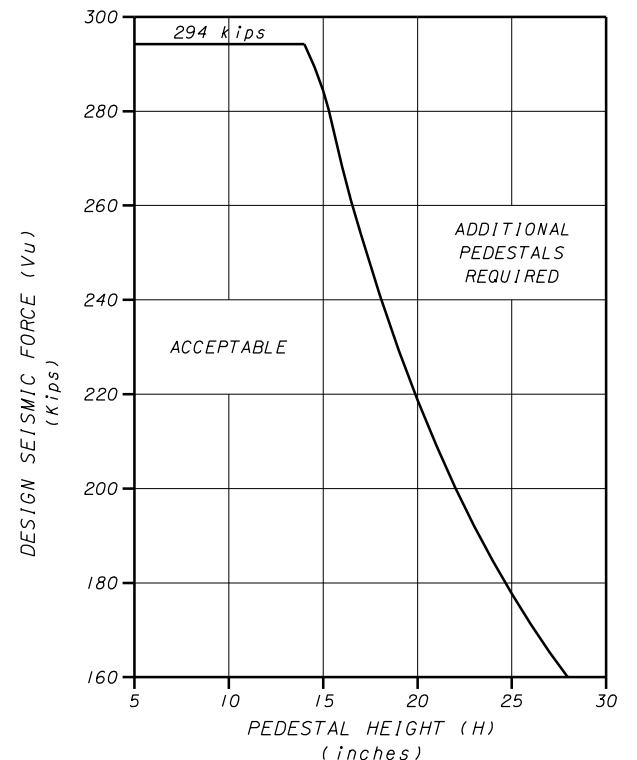


TABLE A