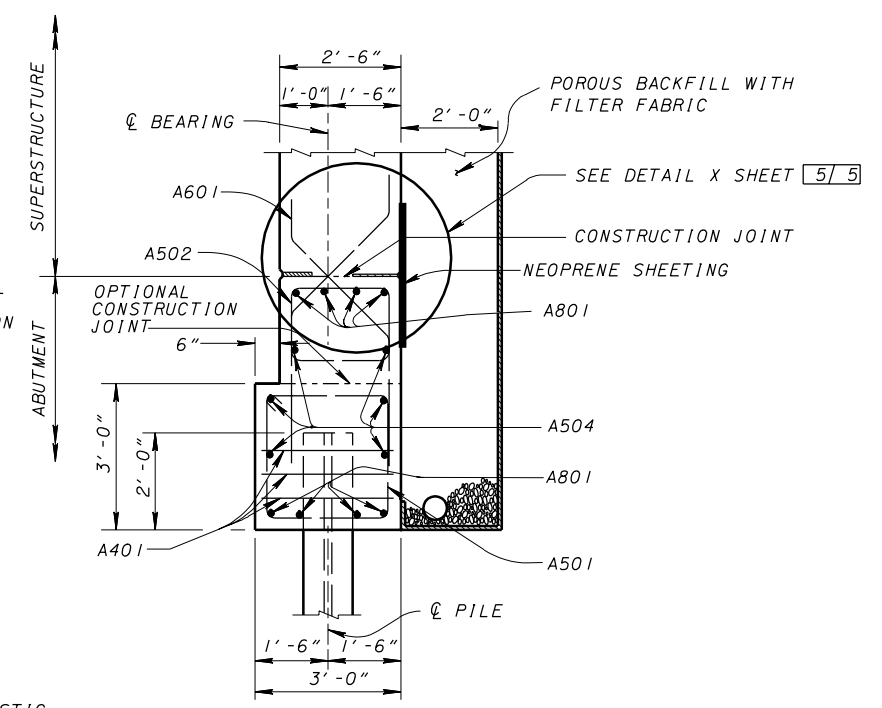
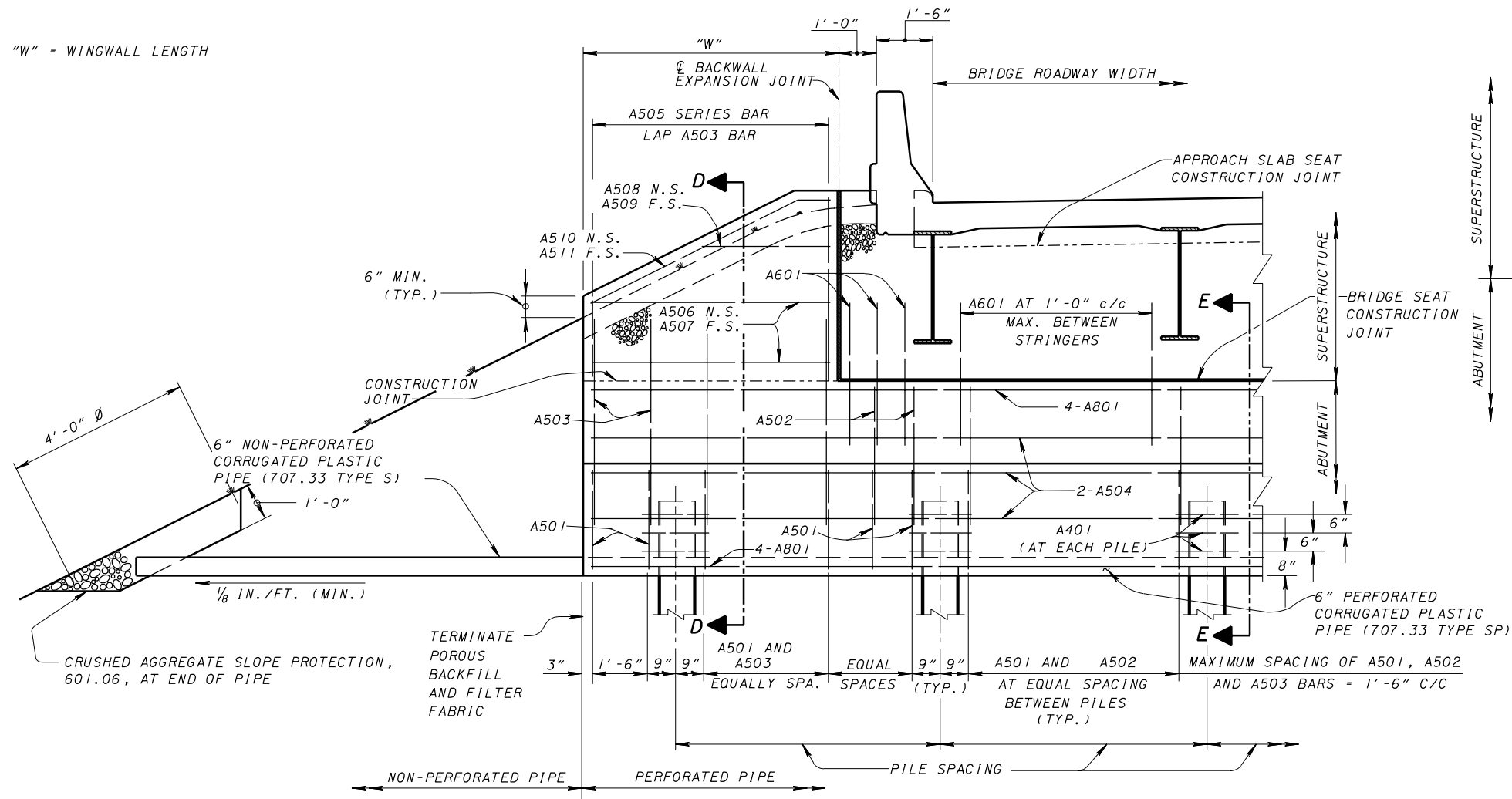
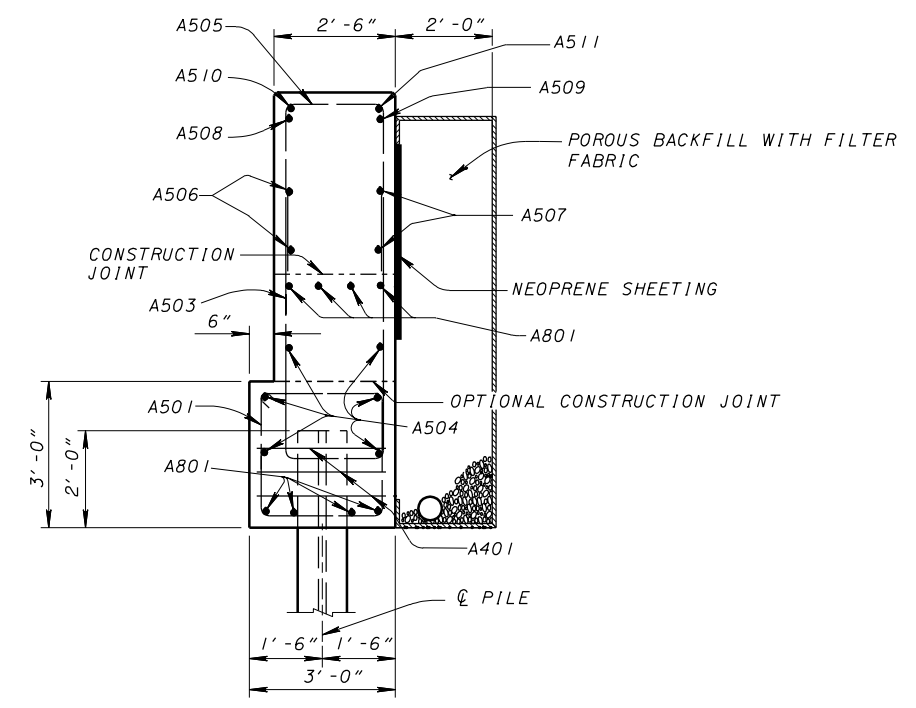


"W" = WINGWALL LENGTH



SECTION E-E



SECTION D-D

SECTION C-C

| REINFORCING STEEL |        |       | BENDING DIAGRAMS |  |
|-------------------|--------|-------|------------------|--|
| MARK              | LENGTH | SHAPE |                  |  |
| A801              | ①      | ST.   |                  |  |
| A601              | 10'-9" | BT.   |                  |  |
| A501              | 11'-0" | BT.   |                  |  |
| A502              | A      | BT.   |                  |  |
| A503              | A      | BT.   |                  |  |
| A504              | ①      | ST.   |                  |  |
| A505              | B      | BT.   |                  |  |
| A506              | ②      | ST.   |                  |  |
| A507              | ②      | ST.   |                  |  |
| A508              | ②      | ST.   |                  |  |
| A509              | ②      | ST.   |                  |  |
| A510              | ②      | BT.   |                  |  |
| A511              | ②      | BT.   |                  |  |
| A401              | 9'-1"  | BT.   |                  |  |

A.C.D-LENGTH MAY VARY WITH EACH INDIVIDUAL STRUCTURE.  
 B-LENGTH AND INCREMENT (SERIES BAR) MAY VARY WITH EACH INDIVIDUAL STRUCTURE.

① - 1/2 (LENGTH OF ABUTMENT-4") + 1/2 BAR LAP.  
 ② - LENGTH IS DEPENDENT UPON DIMENSION "W" (LENGTH OF WINGWALL).