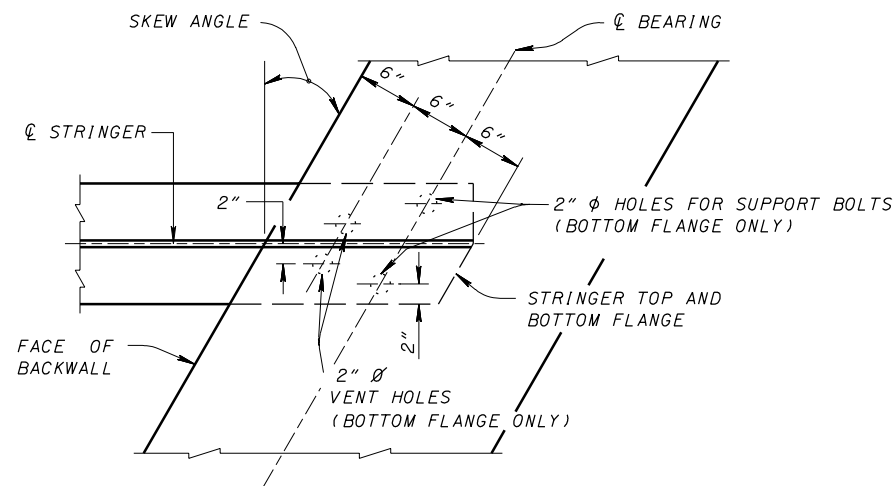


\* FOR BEARING DESIGN DETAILS, CONNECTIONS AND NOTES, SEE STRUCTURE PLANS (TO BE SUPPLIED BY DESIGNER)

**SECTION THRU ABUTMENT**



**SECTION M-M**  
(SUPPORT BOLTS NOT SHOWN)

**GENERAL NOTES**

**LIMITATIONS:** THIS DESIGN IS INTENDED FOR SITES WHERE THERE ARE NO CONCERNS ABOUT SETTLEMENT OR DIFFERENTIAL SETTLEMENT, SKEWS NOT GREATER THAN 30°, FOR UNCURVED STRUCTURES, A BRIDGE EXPANSION LENGTH UP TO 250'-0" AND /OR A TOTAL LENGTH OF 400'-0". THE ABUTMENT TYPE MUST BE FLEXIBLE (CAPPED PILE ON A SINGLE ROW OF PILES, REGARDLESS OF PILE TYPE).

BRIDGE SEAT CONSTRUCTION JOINT: SHALL BE STRAIGHT BETWEEN ENDS OF BACKWALL.

HOLE LOCATIONS IN THE STRUCTURAL STEEL ARE TO BE DETAILED IN THE PROJECT PLANS. FLAME CUTTING OF HOLES IS NOT PERMITTED.