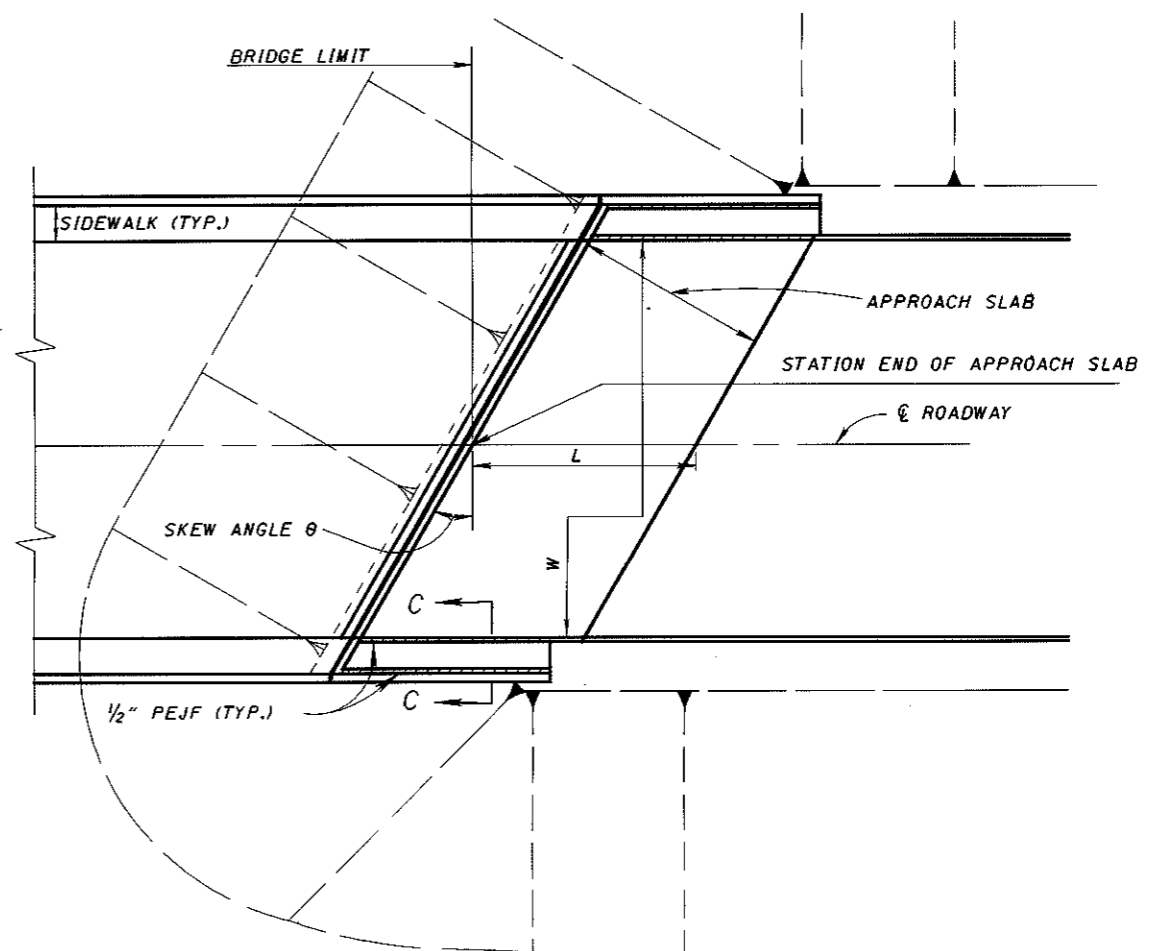
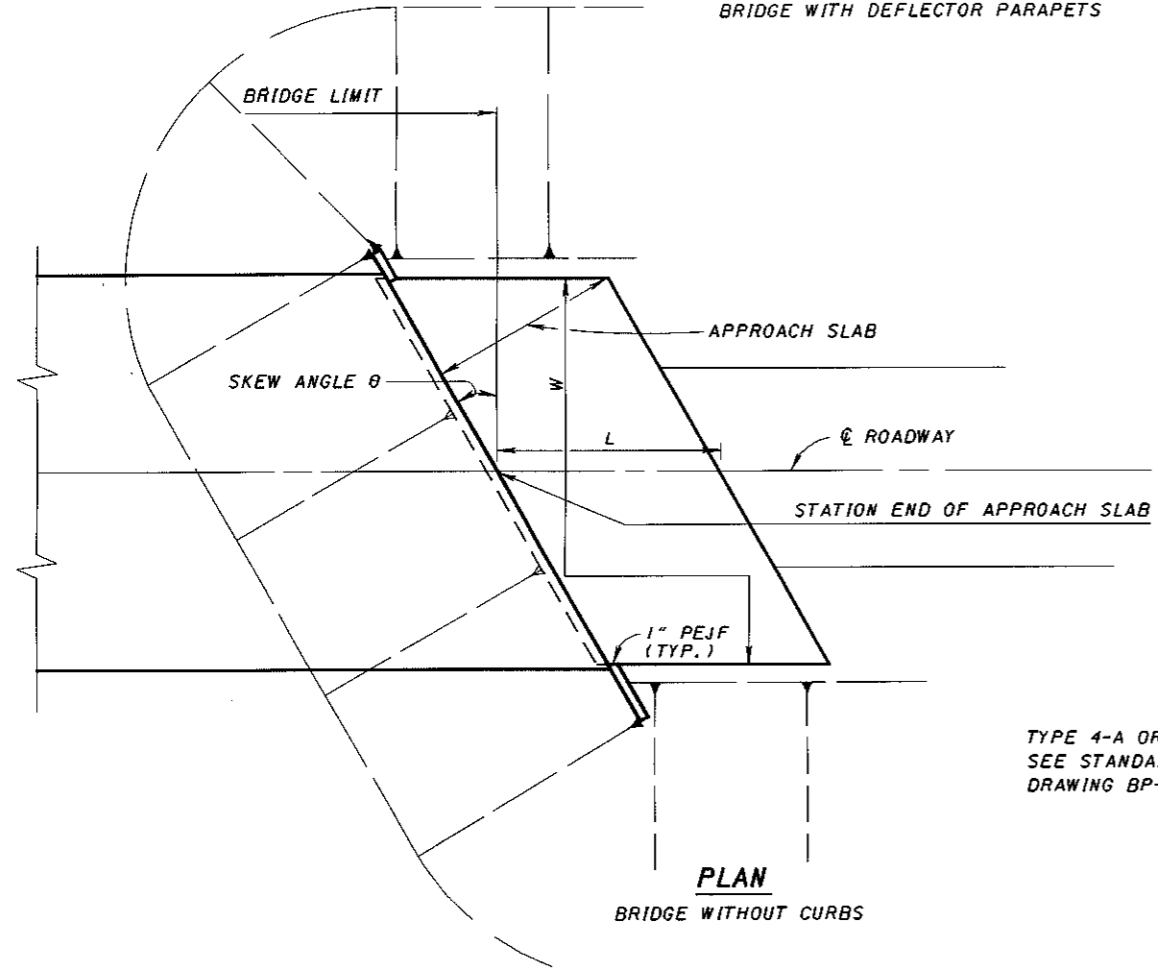


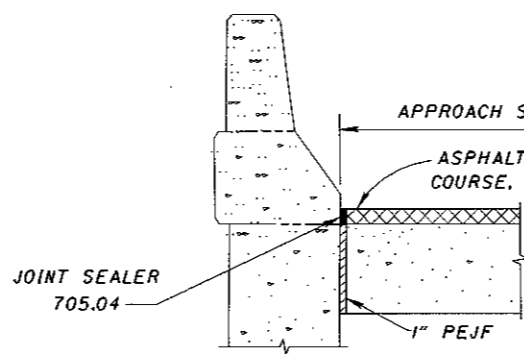
**PLAN**  
BRIDGE WITH DEFLECTOR PARAPETS



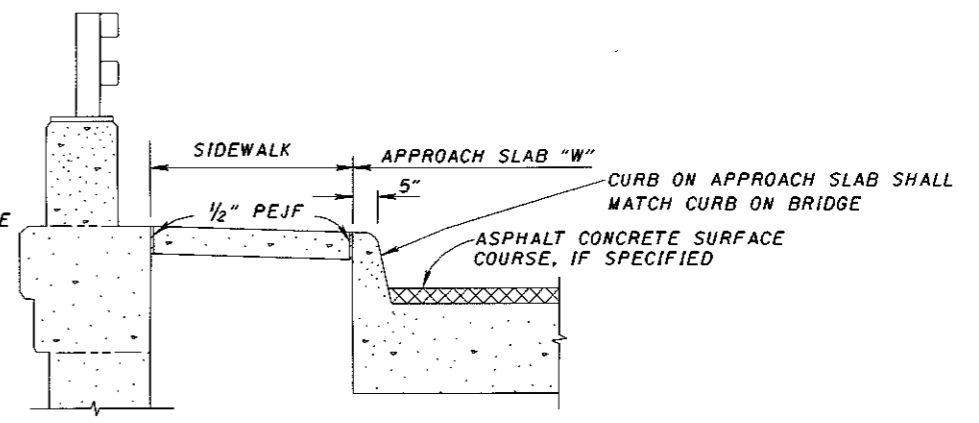
**PLAN**  
BRIDGE WITH SIDEWALKS



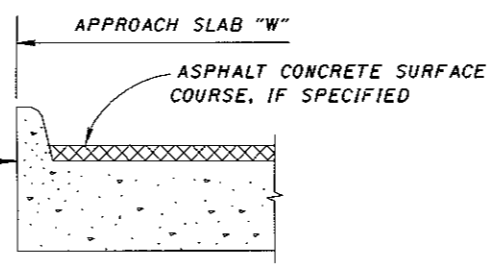
**PLAN**  
BRIDGE WITHOUT CURBS



**SECTION A-A**



**SECTION C-C**



**SECTION B-B**

**LEGEND**  
 W- APPROACH SLAB WIDTH, OUT TO OUT, IN FEET.  
 L- APPROACH SLAB LENGTH.  
 PEJF - PREFORMED EXPANSION JOINT FILLER.

DESIGN AGENCY: OFFICE OF STRUCTURAL ENGINEERING  
 STATE OF OHIO DEPARTMENT OF TRANSPORTATION: 10-25-94 DATE  
 ENGINEER OF BRIDGES: B.D. Stambler  
 REVISED: LHW AS-1-81  
 CHECKED: JAM  
 DESIGNED: J.F.F. DRAWN: J.F.F.  
 REVISIONS: 9-15-94 04-20-01  
 STANDARD: REINFORCED CONCRETE APPROACH SLAB  
 3/3