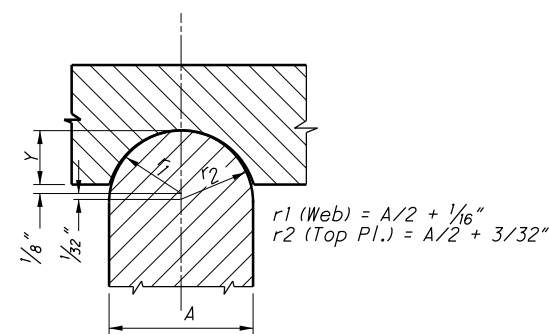


STRUCTURAL STEEL BOLSTER
SEE TABLE BELOW FOR ADDITIONAL DIMENSIONS.

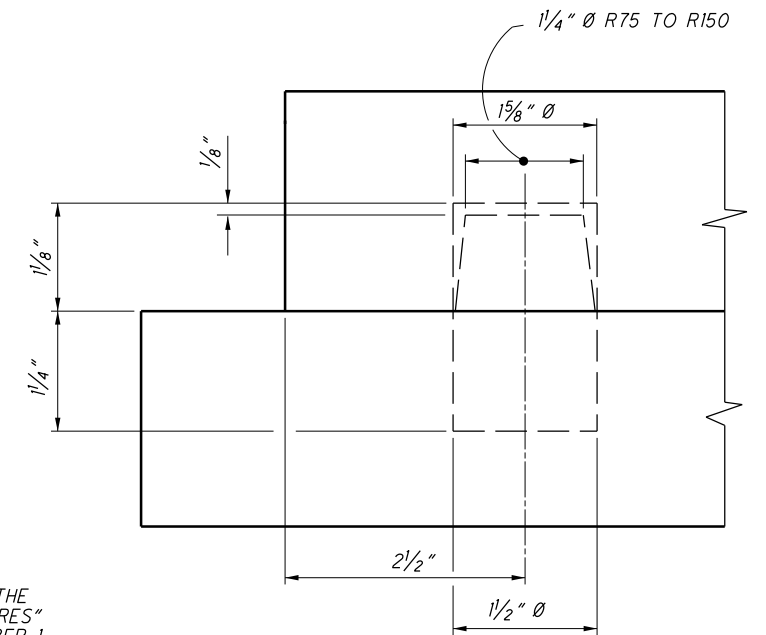
STRUCTURAL STEEL ROCKER
SEE TABLE BELOW FOR ADDITIONAL DIMENSIONS

Bolster No.	Rocker No.	Dimensions (inches)												WEIGHT EACH (LB.)		Maximum Load (lb.)	
		A	B	C	D	F	G	H	K	L	M	R	T	Y	Bolster		Rocker
	R-75	2 1/2	8	2 1/2	1 3/4	1/2	7	9 5/8	9	18	16	5 1/2	1 1/2	1 3/16		205	75,000
B-100	R-100	2 1/2	10	2 1/2	2	1/2	7 1/2	10 5/8	9	19	17	6 1/2	1 1/2	1 3/16	225	250	100,000
B-125	R-125	3	11	3	2	1/2	8	12 1/8	10 1/2	20	18	7 1/2	1 1/2	1 1/16	295	315	125,000
B-150	R-150	3	12	3	2 1/4	1/2	8 1/2	13 3/8	11 1/2	22	19	8 1/2	1 3/4	1 1/16	360	400	150,000
B-175	R-175	3	14	3 1/2	2 1/2	1/2	9	15 1/8	12	23	20	9 1/2	2	1 1/16	455	505	175,000
B-200	R-200	3	16	3 1/2	2 3/4	5/8	9	16 3/8	12	24	21	10 1/2	2 1/4	1 1/16	540	605	200,000
B-225	R-225	3	17	3 1/2	2 3/4	5/8	9	16 7/8	13	25	22	11	2 1/4	1 1/16	590	665	225,000
B-250	R-250	3 1/2	18	3 1/2	2 3/4	3/4	10	17 5/8	13	26	23	11 1/2	2 1/2	1 1/16	695	775	250,000
B-275	R-275	3 1/2	19	3 1/2	3 1/4	3/4	12	18 3/8	14	27	24	12	2 3/4	1 1/16	800	945	275,000
B-300	R-300	3 1/2	20	3 1/2	3 1/4	3/4	12	19 1/8	14	28	25	12 1/2	3	1 1/16	895	1050	300,000

WEIGHTS GIVEN ARE FOR ONE ROCKER OR BOLSTER COMPLETE (INCLUDING SHEET LEAD, ANCHOR BOLTS AND WASHERS).



TOP BEARING DETAIL



DOWEL DETAIL

DESIGN SPECIFICATIONS: THIS STANDARD DRAWING CONFORMS TO THE REQUIREMENTS OF "DESIGN SPECIFICATIONS FOR HIGHWAY STRUCTURES" OF THE STATE OF OHIO, DEPARTMENT OF HIGHWAYS, DATED OCTOBER 1, 1951, TOGETHER WITH REVISIONS THEREOF DATED JULY 15, 1952, APRIL 1, 1954 AND FEBRUARY 1, 1955.

LIMITATION: THIS ROCKER AND BOLSTER DESIGN SHALL NOT BE USED WHERE THE ANTICIPATED MOVEMENT IS IN EXCESS OF 2 INCHES.