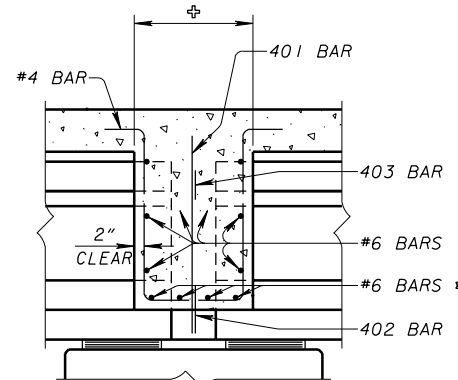
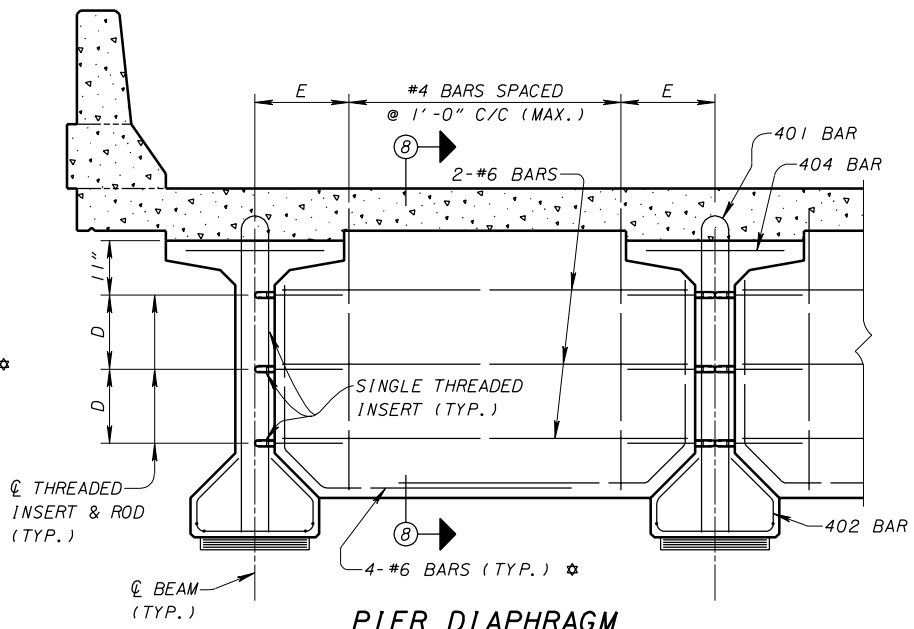


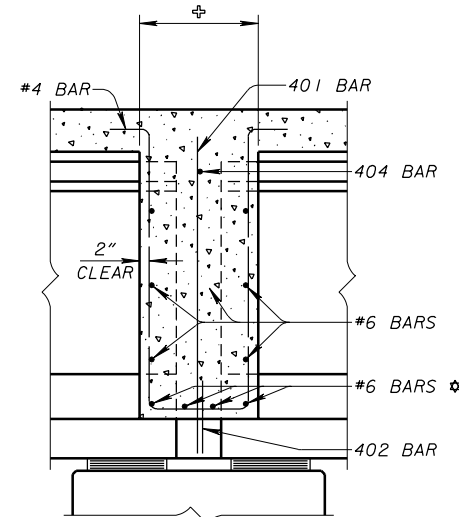
PIER DIAPHRAGM
(AASHTO TYPES 2, 3 AND 4)



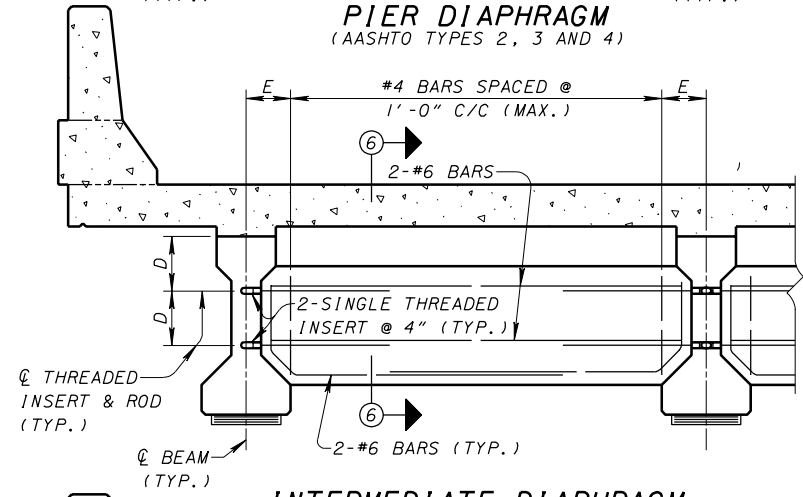
SECTION 5-5
(PARTIAL PIER SHOWN)



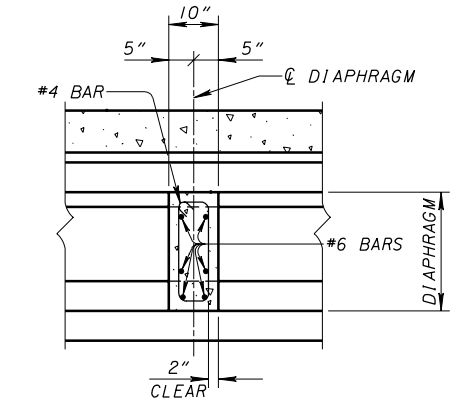
PIER DIAPHRAGM
(MODIFIED AASHTO TYPE 4 BEAMS)



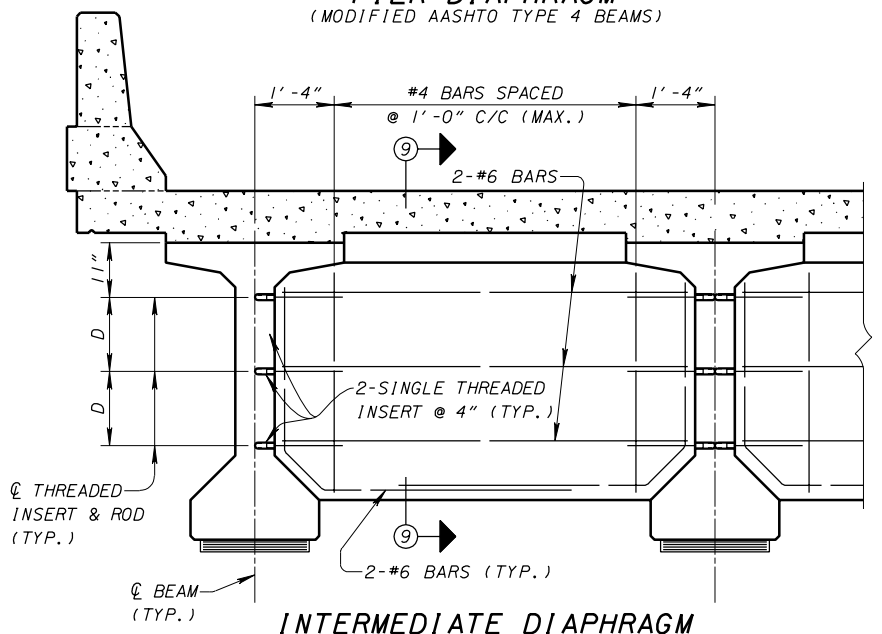
SECTION 8-8
(PARTIAL PIER SHOWN)



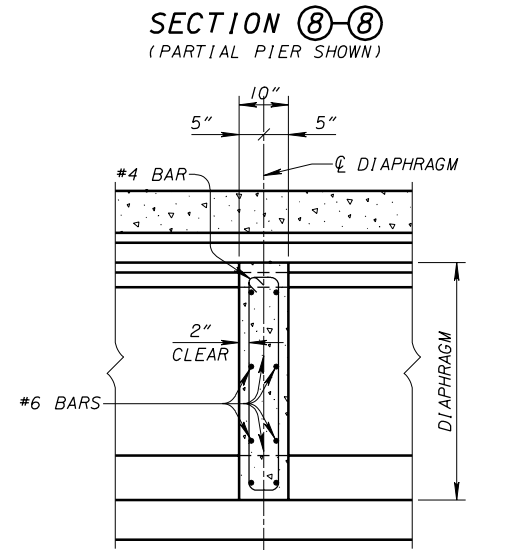
INTERMEDIATE DIAPHRAGM
(AASHTO TYPES 2, 3 AND 4)



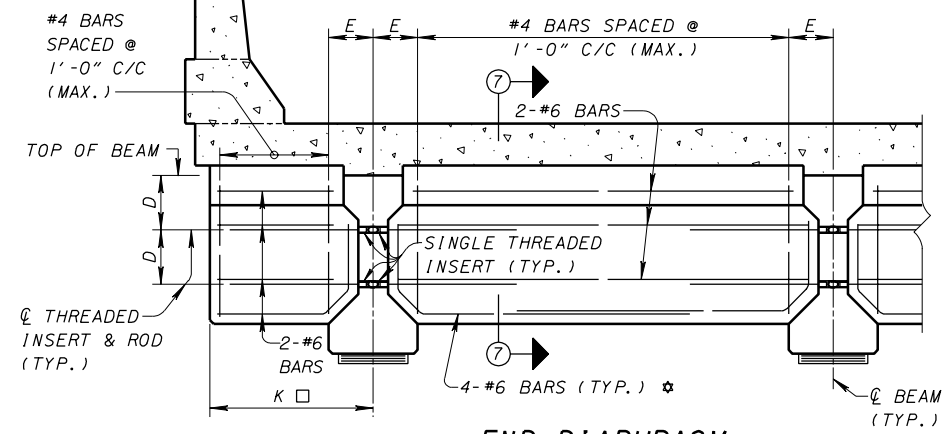
SECTION 6-6



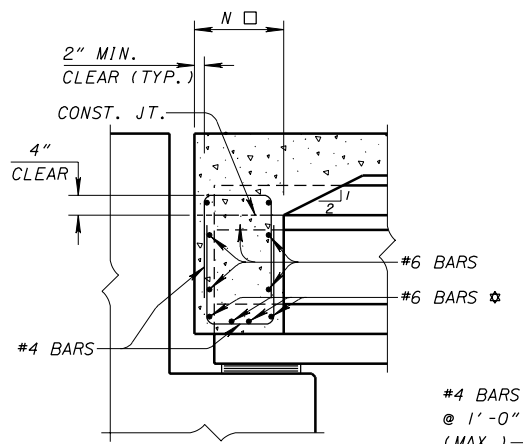
INTERMEDIATE DIAPHRAGM
(MODIFIED AASHTO TYPE 4 BEAMS)



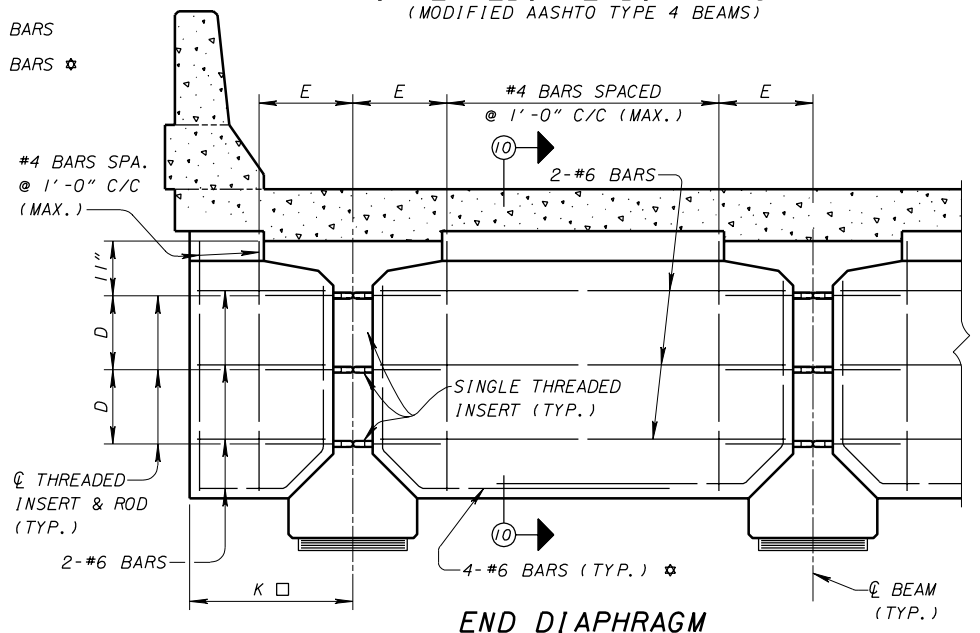
SECTION 9-9



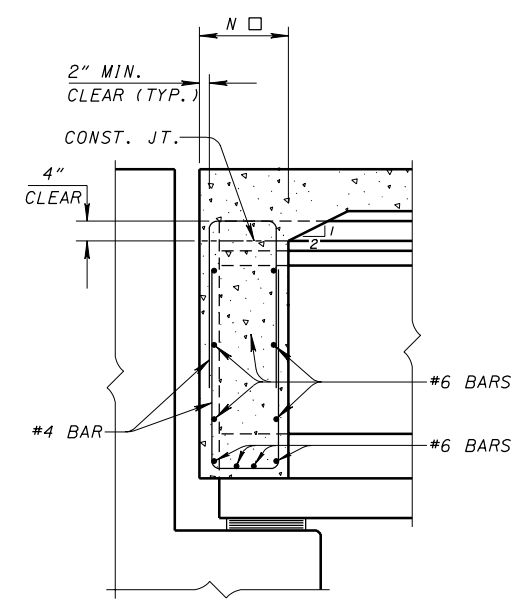
END DIAPHRAGM
(AASHTO TYPES 2, 3 AND 4)



SECTION 7-7
(PARTIAL ABUTMENT SHOWN)



END DIAPHRAGM
(MODIFIED AASHTO TYPE 4 BEAMS)



SECTION 10-10
(PARTIAL ABUTMENT SHOWN)

| SECTION | DIM. D | DIM. E |
|------------------------------|--------|--------|
| AASHTO TYPE 2 | 11" | 9" |
| AASHTO TYPE 3 | 1'-2" | 11" |
| AASHTO TYPE 4 | 1'-5" | 1'-1" |
| MODIFIED AASHTO TYPE 4 (60") | 1'-3" | 1'-8" |
| MODIFIED AASHTO TYPE 4 (66") | 1'-6" | 1'-8" |
| MODIFIED AASHTO TYPE 4 (72") | 1'-9" | 1'-8" |

ALL VERTICAL BARS SHALL BE PLACED PARALLEL TO BEAMS.

⊕ - REFER TO SHEET 4/8 FOR DIMENSION DEFINITION.

□ - REFER TO SHEET 3/8 FOR DIMENSION DEFINITION.

☆ - FOR BEAM SPACINGS EXCEEDING 9'-0", USE 4-#8 BARS. REFER TO SHEET 7/8 FOR THREADED INSERT AND STRAND EXTENSION DETAILS.

REFER TO SHEET 1/8 FOR 401, 402, 403 & 404 BENDING DIAGRAMS.