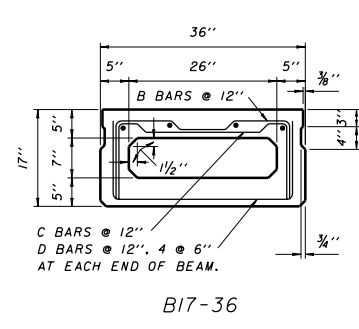
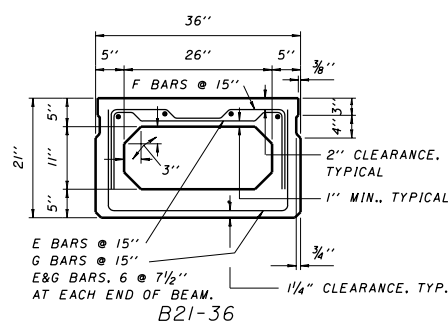


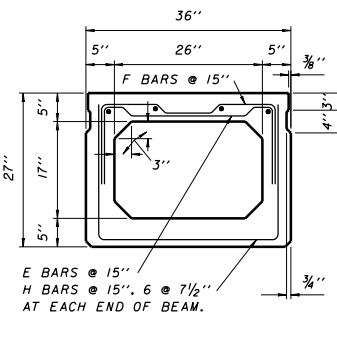
B12-36



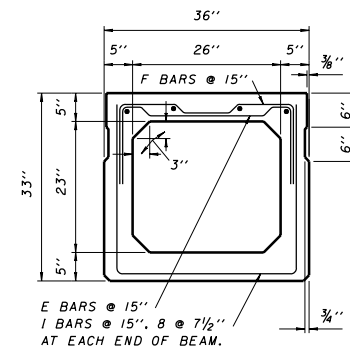
B17-36



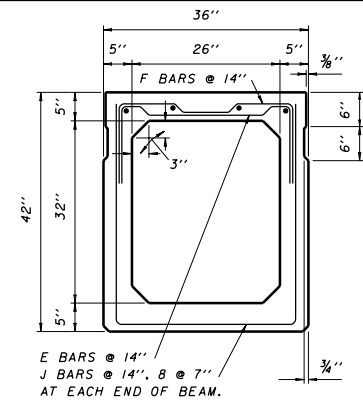
B21-36



B27-36

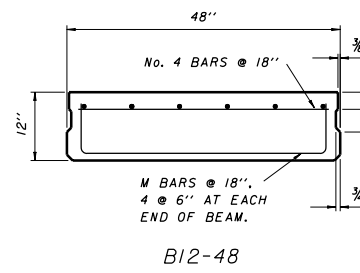


B33-36

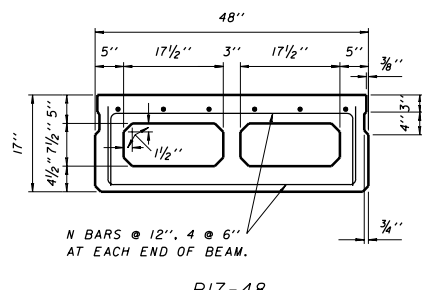


B42-36

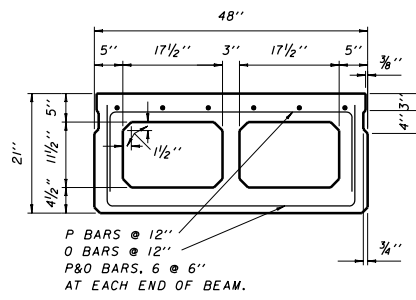
36" WIDE NON-COMPOSITE BEAMS



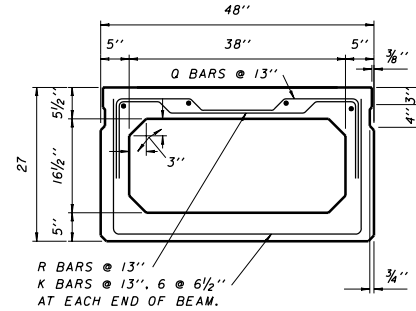
B12-48



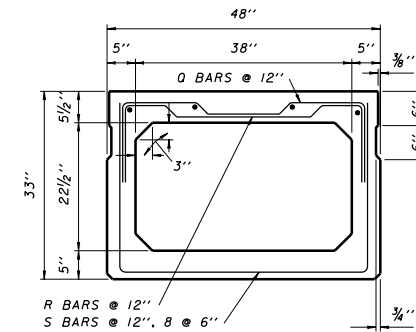
B17-48



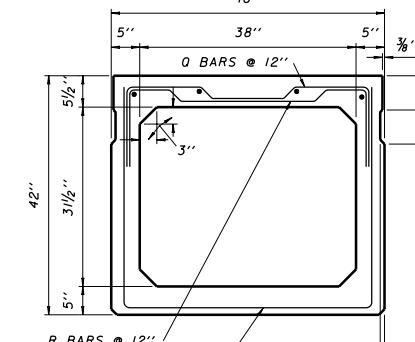
B21-48



B27-48

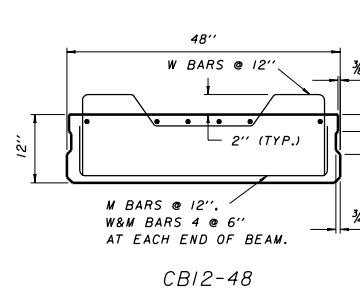


B33-48

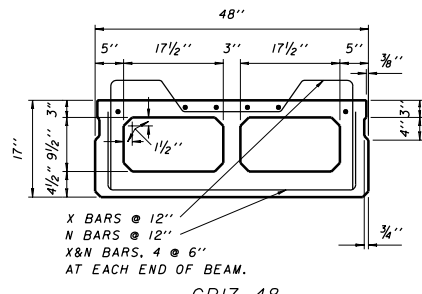


B42-48

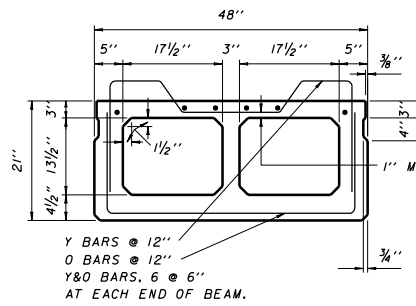
48" WIDE NON-COMPOSITE BEAMS



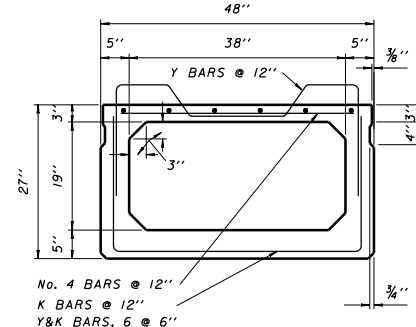
CB12-48



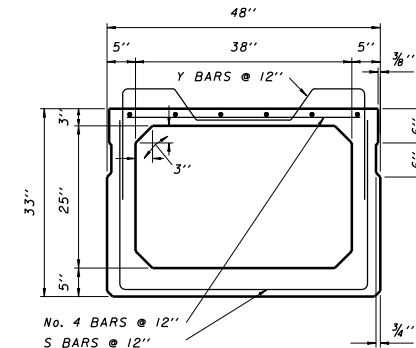
CB17-48



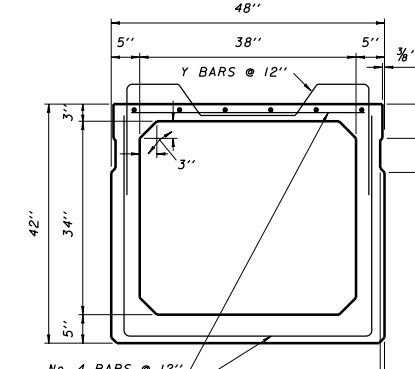
CB21-48



CB27-48



CB33-48



CB42-48

48" WIDE COMPOSITE BEAMS

BENT REINFORCING BARS						BENDING DIAGRAMS	
MARK	TYPE	A	B	C	D	E	
A	1	31"	8"				
B	2	31"	13"	10"	1 1/2"	8"	
C	2	31"	13"	4"	1 1/2"	20"	
D	1	31"	13"				
E	2	31"	17"	4"	1 1/2"	20"	
F	2	31"	17"	10"	1 1/2"	8"	
G	1	31"	17"				
H	1	31"	23"				
I	1	31"	29"				
J	1	31"	38"				
K	1	43"	23"				
M	1	43"	8"				
N	1	43"	13"				
O	1	43"	17"				
P	1	43"	17"				
Q	2	43"	17"	13"	2"	13"	
R	2	43"	17"	7"	2"	25"	
S	1	43"	29"				
T	1	43"	38"				
W	2	43"	10"	9"	4"	17"	
X	2	43"	17"	9"	4"	17"	
Y	2	43"	21"	9"	4"	17"	
WW	2	31"	12"	6"	4"	11"	
XX	2	31"	17"	6"	4"	11"	
YY	2	31"	21"	6"	4"	11"	

NOTE: ALL BARS ARE #4

NOTE:
ALTERNATE TOP STIRRUPS TO LAP BOTTOM STIRRUPS AT EACH END OF BEAM WHERE TWO TYPES OF TOP STIRRUPS ARE PROVIDED.
36" WIDE COMPOSITE BEAMS ARE SHOWN ON SHEET 4 OF 4.

MINIMUM TOP LONGITUDINAL REINFORCING STEEL
36" WIDE NON-COMPOSITE & COMPOSITE BEAMS: 4-No. 5 BARS.
48" WIDE NON-COMPOSITE BEAMS: B12 THRU B21, 6-No. 4 BARS
B27 THRU B42, 4-No. 5 BARS
48" WIDE COMPOSITE BEAMS: 6-No. 4 BARS
SEE PROJECT PLANS FOR ANY ADDITIONAL LONGITUDINAL REINFORCING STEEL BARS REQUIRED.

FABRICATOR'S SHOP DRAWINGS SHALL SHOW COMPLETE DETAILS OF BEAM REINFORCING.

DESIGN AGENCY: OFFICE OF STRUCTURAL ENGINEERING

STATE OF OHIO DEPARTMENT OF TRANSPORTATION

ENGINEER OF BRIDGES: [Signature]

DATE: 03-04-94

DESIGNED: M/RG

CHECKED: W/LF

REVIEWED: L/MW

STANDARD: PRESTRESSED CONCRETE BOX BEAM BRIDGE DETAILS

REVISIONS: 07-19-02, 07-21-06

DRAWN: SEM

REF: PSBD-1-93

PAGE: 3 OF 4