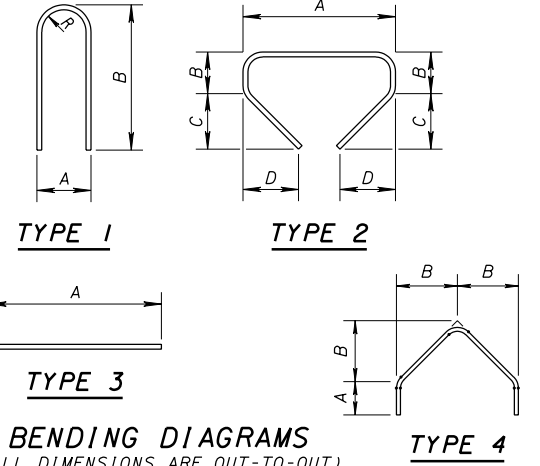


**SECTION PROPERTIES**

SECTION	AREA (in <sup>2</sup> )	WEIGHT (lb/ft)	Y <sub>b</sub> (in)	Y <sub>t</sub> (in)	I (in <sup>4</sup> )	S <sub>b</sub> (in <sup>3</sup> )	S <sub>t</sub> (in <sup>3</sup> )	V <sub>o</sub> I/Sur (in)
AASHTO TYPE 2	369	384	15.83	20.17	50,979	3,221	2,527	3.371
AASHTO TYPE 3	560	583	20.27	24.73	125,390	6,185	5,071	4.056
AASHTO TYPE 4	789	822	24.73	29.27	260,741	10,542	8,909	4.741
MODIFIED AASHTO TYPE 4 (60")	860	896	28.74	31.26	384,705	13,385	12,307	4.089
MODIFIED AASHTO TYPE 4 (66")	908	946	31.58	34.42	492,212	15,588	14,299	4.085
MODIFIED AASHTO TYPE 4 (72")	956	996	34.43	37.57	616,018	17,893	16,396	4.080

BEAM MARK	NUMBER OF STRANDS PER ROW								TOTAL STRANDS	CONCRETE STRENGTHS		401 BARS	402 BARS	403 BARS	404 BARS
	①	②	③	④	⑤	⑥	⑦	⑧		F'c i	F'c	REQ'D	REQ'D	REQ'D	REQ'D

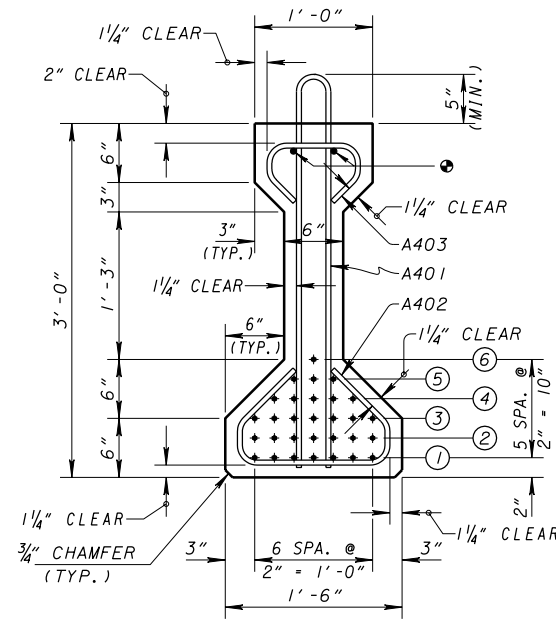
(THIS TABLE SHALL BE REPRODUCED IN THE PROJECT PLANS.)



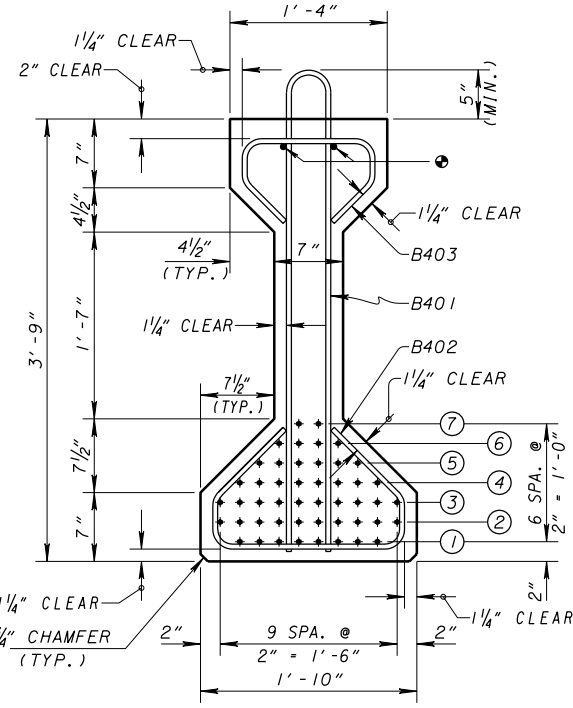
**BENDING DIAGRAMS**  
(ALL DIMENSIONS ARE OUT-TO-OUT)

MARK	TYPE	DIMENSIONS				
		A	B	C	D	R
<b>AASHTO TYPE 2</b>						
A401	1	3 1/2"	3' - 4"			1 1/4"
A402	2	1' - 3 1/2"	4 1/4"	5 1/2"	5 1/2"	
A403	2	9 1/2"	3 1/2"	2 1/2"	2 1/2"	
A405	4	4 1/4"	7 3/4"			
<b>AASHTO TYPE 3</b>						
B401	1	4 1/2"	4' - 1"			1 3/4"
B402	2	1' - 7 1/2"	5 1/4"	7"	7"	
B403	2	1' - 1 1/2"	4 1/2"	4"	4"	
B405	4	5 1/4"	9 3/4"			
<b>AASHTO TYPE 4</b>						
C401	1	5 1/2"	4' - 10"			2 1/4"
C402	2	1' - 1 1/2"	6 1/4"	8 1/2"	8 1/2"	
C403	2	1' - 5 1/2"	5 1/2"	5 1/2"	5 1/2"	
C405	4	6 1/4"	11 3/4"			
<b>MODIFIED AASHTO TYPE 4 (60")</b>						
D401	1	5 1/2"	5' - 4"			2 1/4"
D402	2	1' - 1 1/2"	6 1/4"	8 1/2"	8 1/2"	
D404	3	2' - 8"				
D405	4	6 1/4"	11 3/4"			
<b>MODIFIED AASHTO TYPE 4 (66")</b>						
E401	1	5 1/2"	5' - 10"			2 1/4"
E402	2	1' - 1 1/2"	6 1/4"	8 1/2"	8 1/2"	
E404	3	2' - 8"				
E405	4	6 1/4"	11 3/4"			
<b>MODIFIED AASHTO TYPE 4 (72")</b>						
F401	1	5 1/2"	6' - 4"			2 1/4"
F402	2	1' - 1 1/2"	6 1/4"	8 1/2"	8 1/2"	
F404	3	2' - 8"				
F405	4	6 1/4"	11 3/4"			

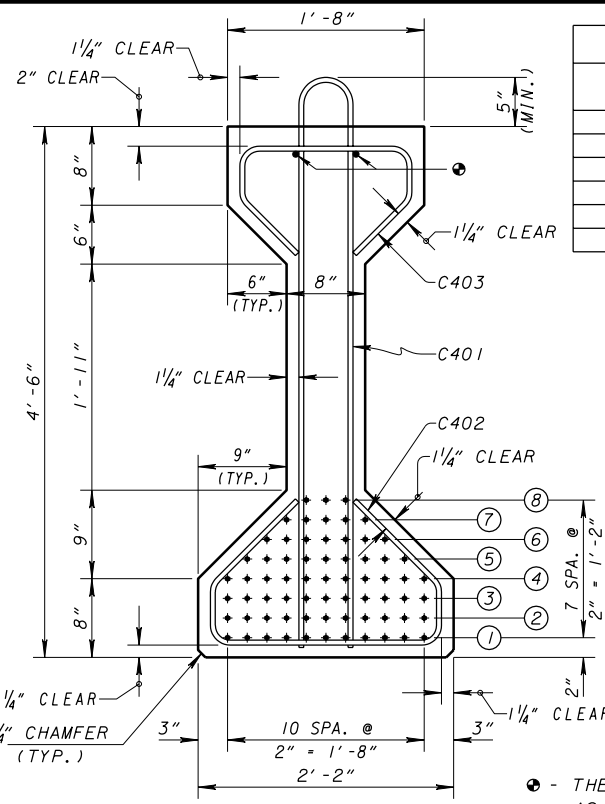
BAR SIZE IS INDICATED IN THE BAR MARK. THE FIRST LETTER IDENTIFIES THE BAR LOCATION, THE NEXT DIGIT INDICATES THE INCH-POUND BAR SIZE AND THE REMAINING DIGITS ITS SEQUENCE NUMBER. ALL STEEL SHALL BE EPOXY COATED.



**AASHTO TYPE 2**  
(30 STRANDS MAXIMUM)

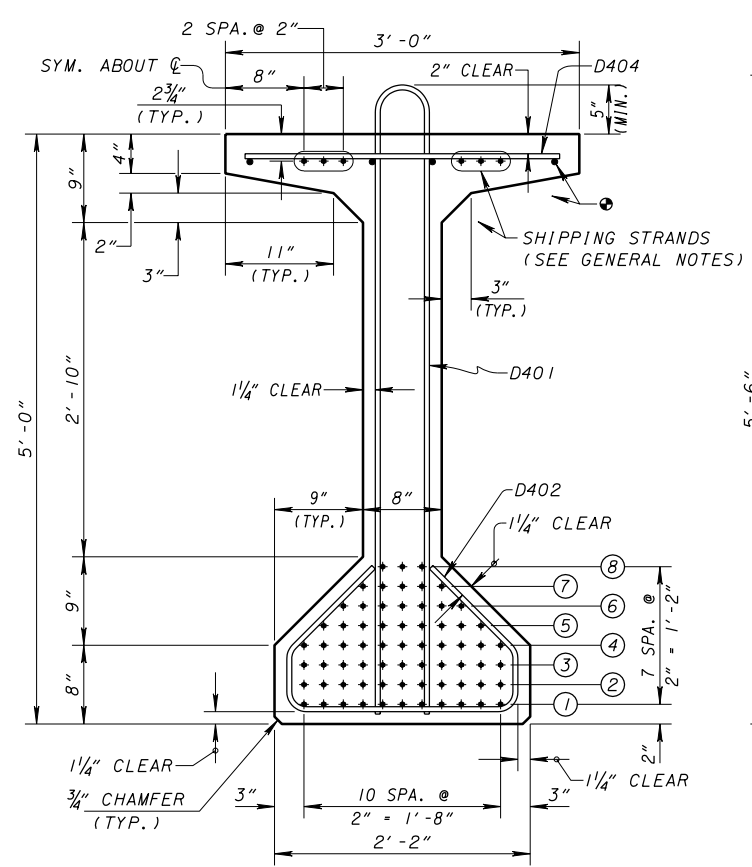


**AASHTO TYPE 3**  
(48 STRANDS MAXIMUM)

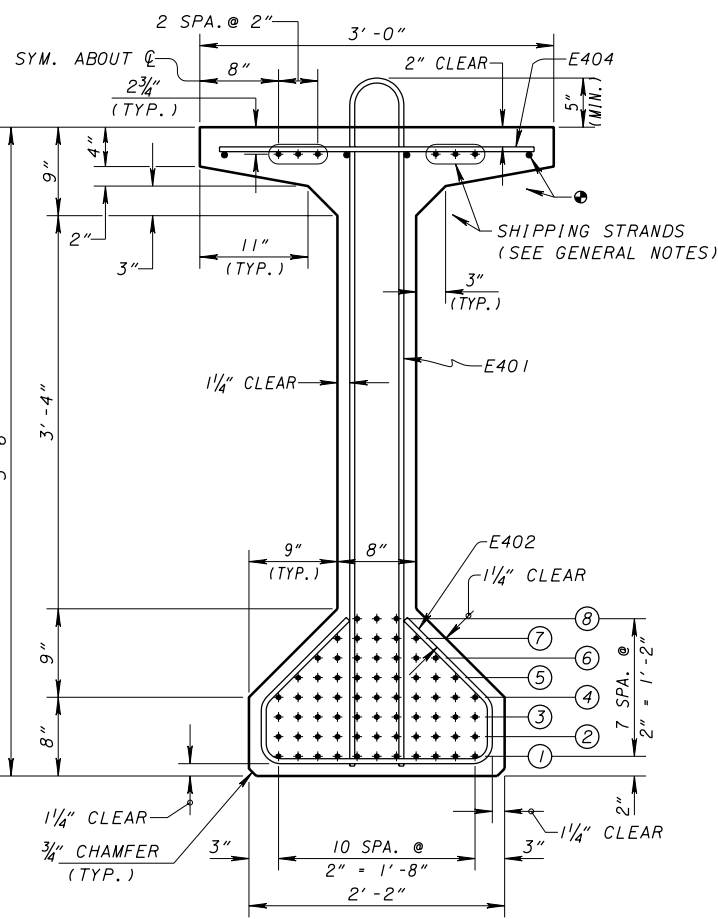


**AASHTO TYPE 4**  
(68 STRANDS MAXIMUM)

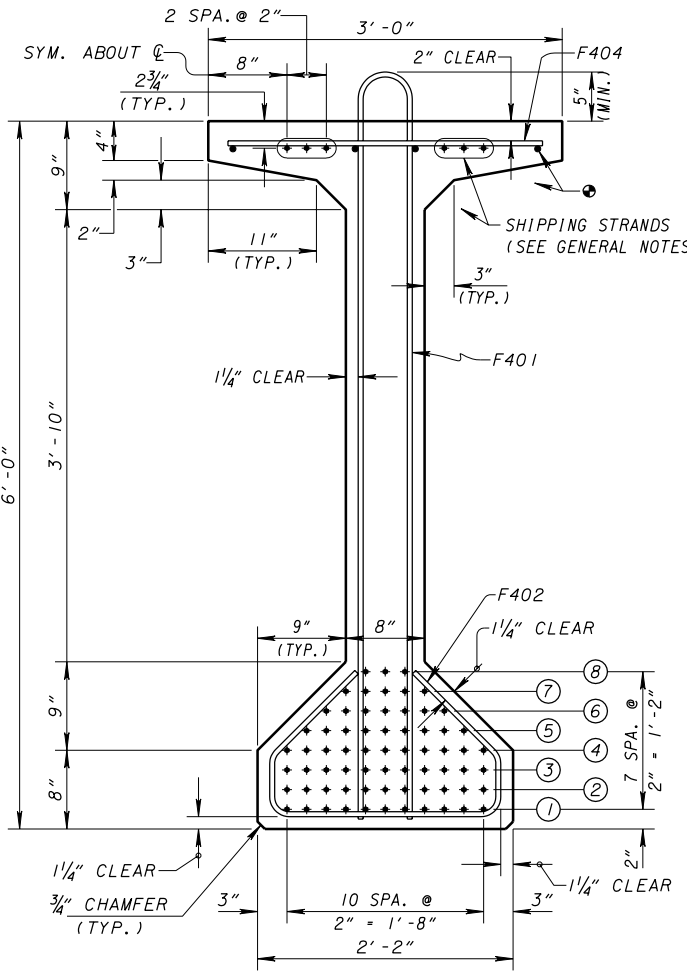
• - THE NUMBER OF BARS SHALL BE PROVIDED AS SHOWN. BAR SIZE SHALL BE DETERMINED BY ANALYSIS.



**MODIFIED AASHTO TYPE 4 (60")**  
(68 STRANDS MAXIMUM)



**MODIFIED AASHTO TYPE 4 (66")**  
(68 STRANDS MAXIMUM)



**MODIFIED AASHTO TYPE 4 (72")**  
(68 STRANDS MAXIMUM)