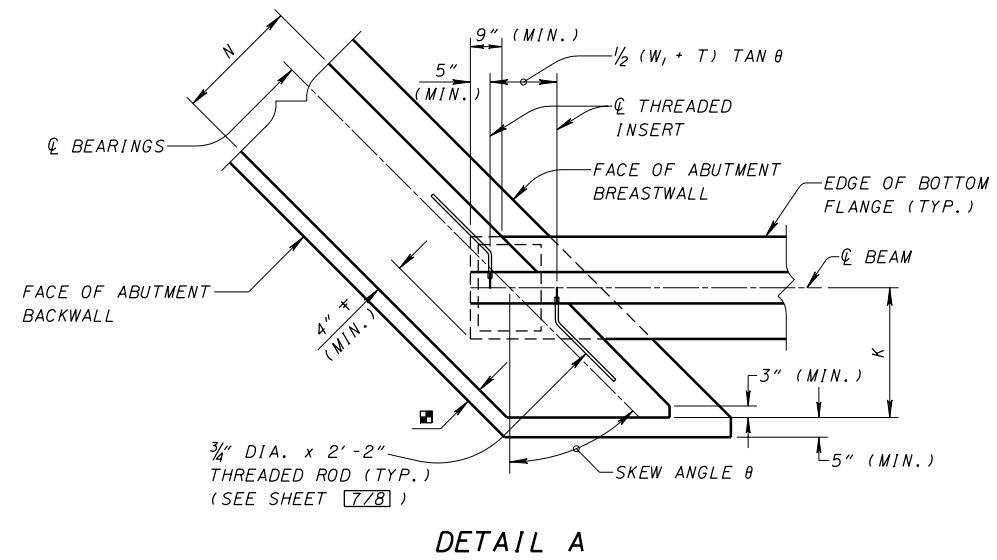
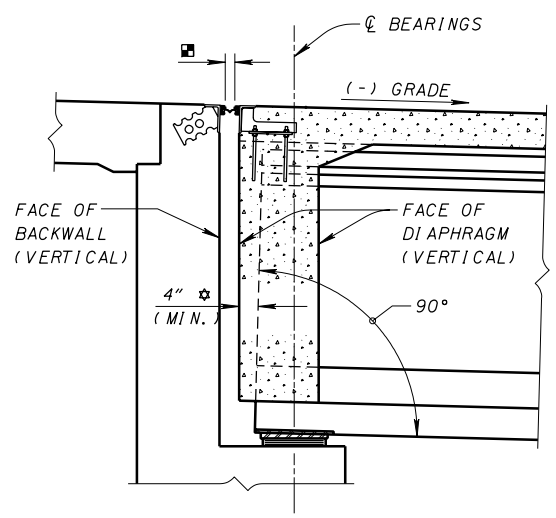


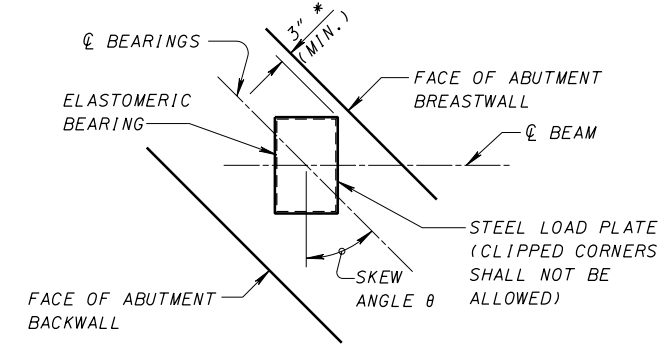
TYPICAL FRAMING PLAN
S = BEAM SPACING



DETAIL A



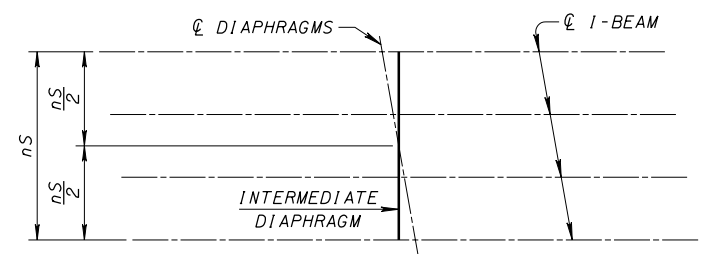
SECTION 1-1
(POSITIVE GRADE IS SIMILAR)



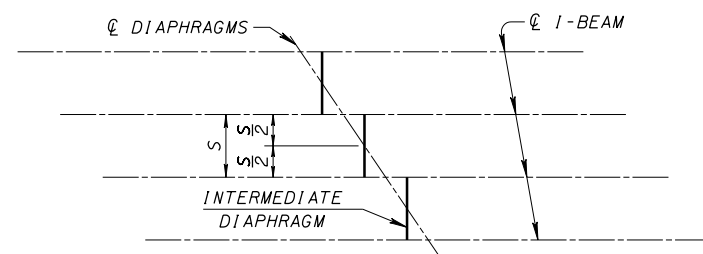
BEARING ORIENTATION AT ABUTMENTS

LEGEND

- † - DISTANCE SHALL BE MEASURED FROM THE LARGER OF THE TOP OR BOTTOM FLANGE WIDTH.
- - SEE STANDARD DRAWING EXJ-6-95 FOR DIMENSION DEFINITION.
- $N = \text{LARGER OF } \begin{cases} 4" + W_1 \sin \theta + 9" \cos \theta \\ 4" + \frac{1}{2} W_2 \sin \theta + \frac{1}{2} W_2 \sin \theta + 9" \cos \theta \\ 18" \end{cases}$
- $W_1 = \text{BOTTOM FLANGE WIDTH}$
- $W_2 = \text{TOP FLANGE WIDTH}$
- $T = \text{THICKNESS OF WEB}$
- $K = \frac{1}{2} W_2 + 15"$
- ☆ - THIS DIMENSION IS MEASURED FROM THE VERTICAL FACE OF THE END DIAPHRAGM TO THE NEAREST POINT ON THE END OF THE BEAM.
- * - MEASURED TO STEEL LOAD PLATE, IF STEEL LOAD PLATE IS USED, OTHERWISE MEASURED TO ELASTOMERIC BEARING.



PLAN FOR SKEW ANGLES $\leq 10^\circ$
n = NO. OF BEAM SPACES



PLAN FOR SKEW ANGLES $> 10^\circ$

SEE SHEET 4/8 FOR BEARING DETAILS.
SEE SHEET 5/8 FOR CAST-IN-PLACE CONCRETE DIAPHRAGMS
SEE SHEET 6/8 FOR STEEL INTERMEDIATE DIAPHRAGMS.