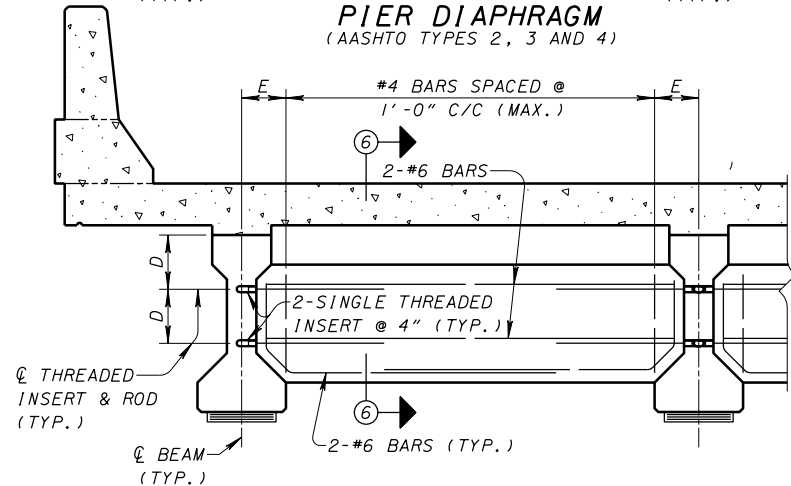
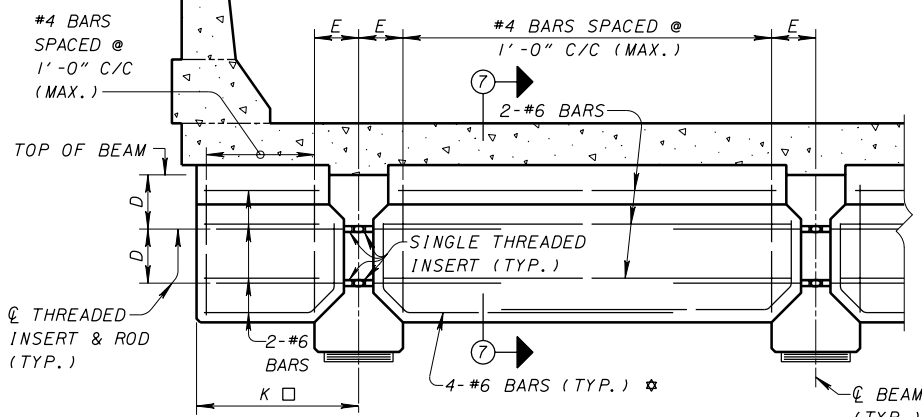


PIER DIAPHRAGM
(AASHTO TYPES 2, 3 AND 4)



INTERMEDIATE DIAPHRAGM
(AASHTO TYPES 2, 3 AND 4)



END DIAPHRAGM
(AASHTO TYPES 2, 3 AND 4)

SECTION	DIM. D	DIM. E
AASHTO TYPE 2	11"	9"
AASHTO TYPE 3	1'-2"	11"
AASHTO TYPE 4	1'-5"	1'-1"
MODIFIED AASHTO TYPE 4 (60")	1'-3"	1'-8"
MODIFIED AASHTO TYPE 4 (66")	1'-6"	1'-8"
MODIFIED AASHTO TYPE 4 (72")	1'-9"	1'-8"

ALL VERTICAL BARS SHALL BE PLACED PARALLEL TO BEAMS.

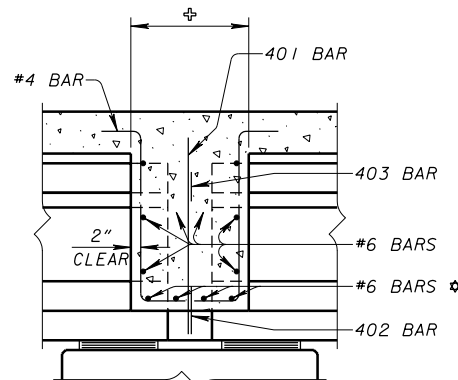
⊕ - REFER TO SHEET 4/8 FOR DIMENSION DEFINITION.

□ - REFER TO SHEET 3/8 FOR DIMENSION DEFINITION.

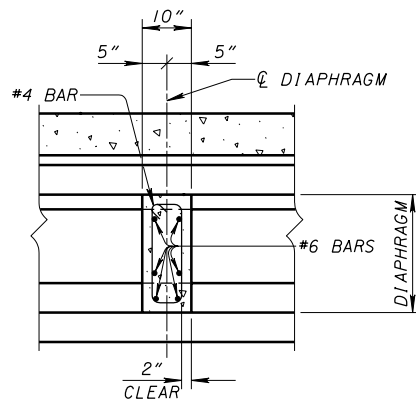
* - FOR BEAM SPACINGS EXCEEDING 9'-0", USE 4-#8 BARS.

REFER TO SHEET 7/8 FOR THREADED INSERT AND STRAND EXTENSION DETAILS.

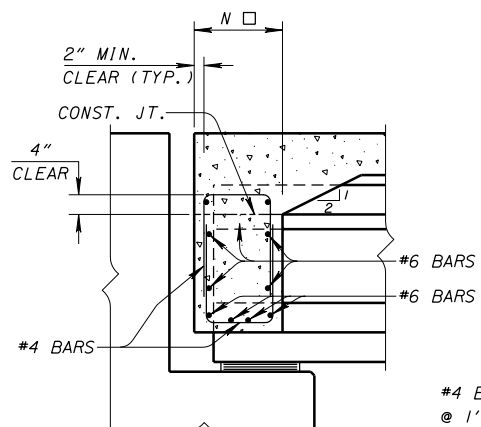
REFER TO SHEET 1/8 FOR 401, 402, 403 & 404 BENDING DIAGRAMS.



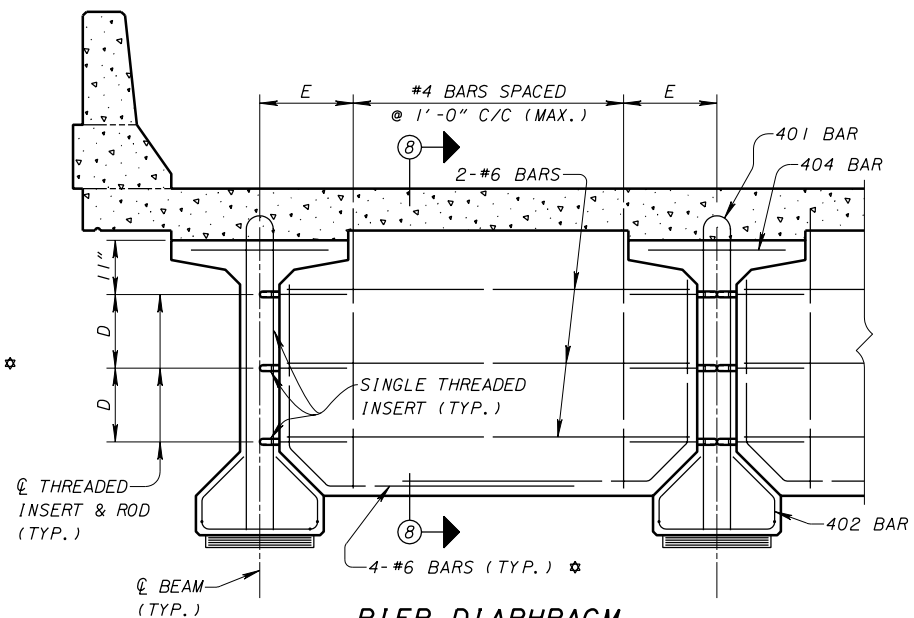
SECTION 5-5
(PARTIAL PIER SHOWN)



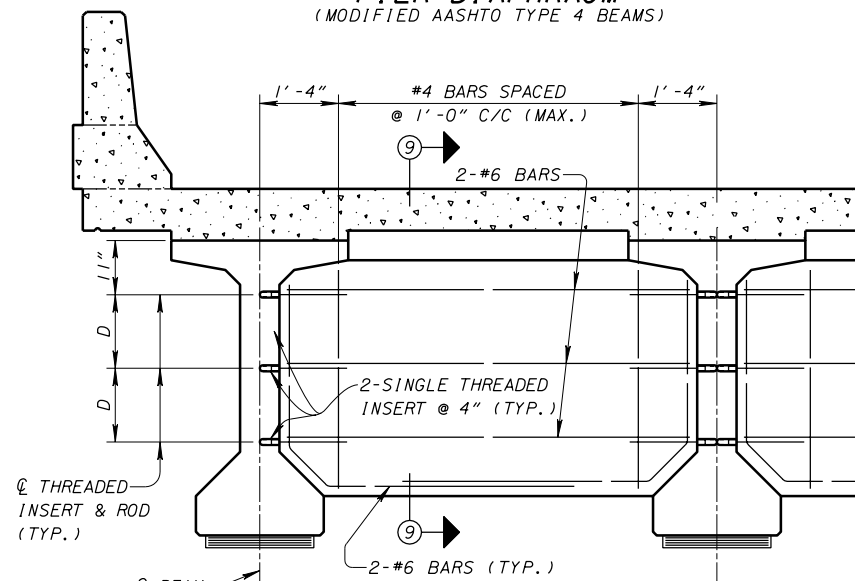
SECTION 6-6
(PARTIAL ABUTMENT SHOWN)



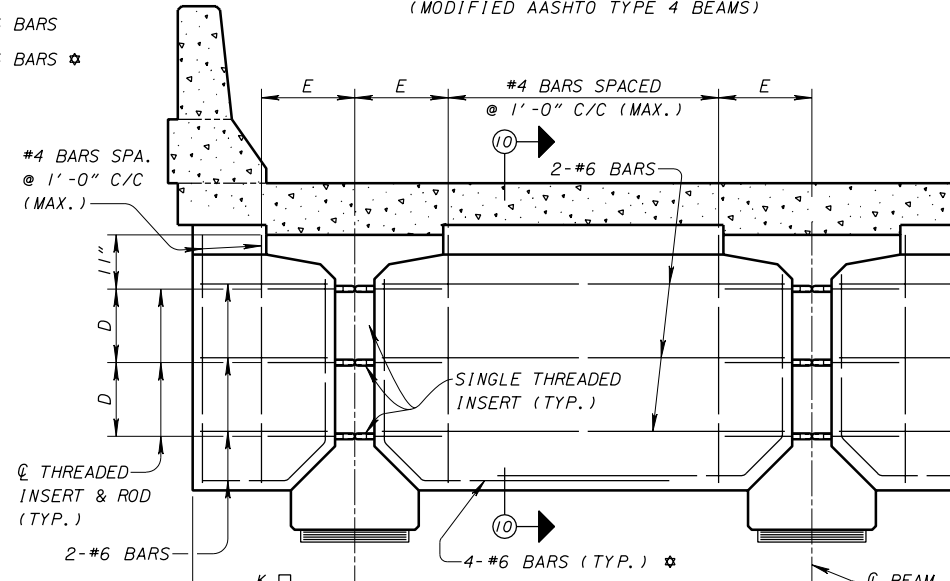
SECTION 7-7
(PARTIAL ABUTMENT SHOWN)



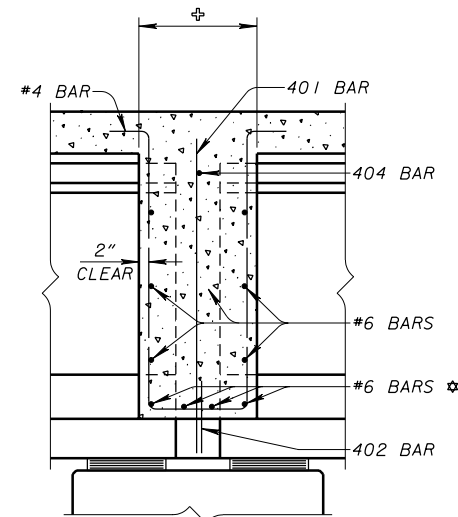
PIER DIAPHRAGM
(MODIFIED AASHTO TYPE 4 BEAMS)



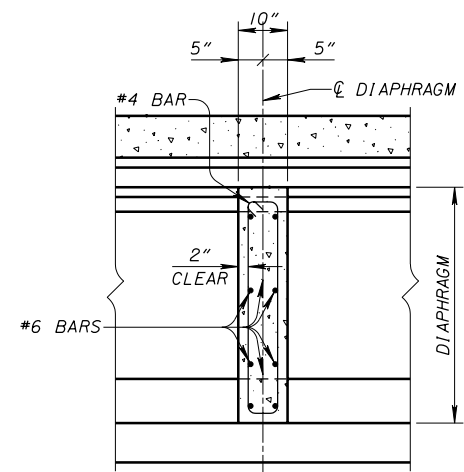
INTERMEDIATE DIAPHRAGM
(MODIFIED AASHTO TYPE 4 BEAMS)



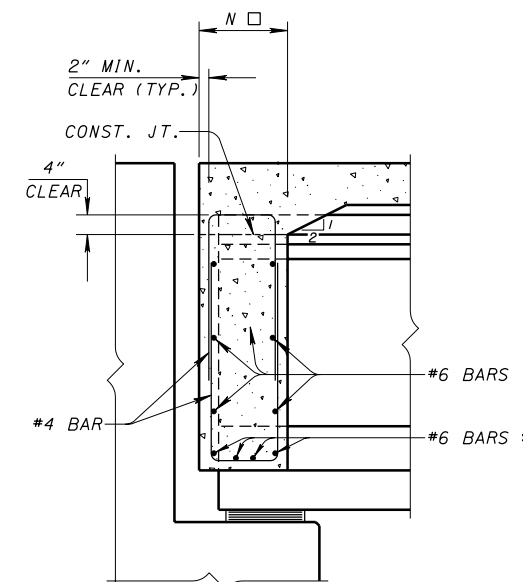
END DIAPHRAGM
(MODIFIED AASHTO TYPE 4 BEAMS)



SECTION 8-8
(PARTIAL PIER SHOWN)



SECTION 9-9
(PARTIAL ABUTMENT SHOWN)



SECTION 10-10
(PARTIAL ABUTMENT SHOWN)