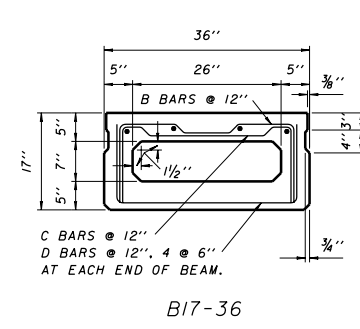
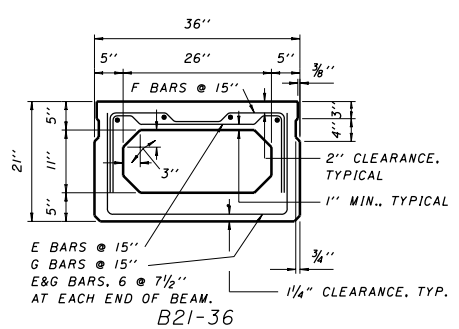


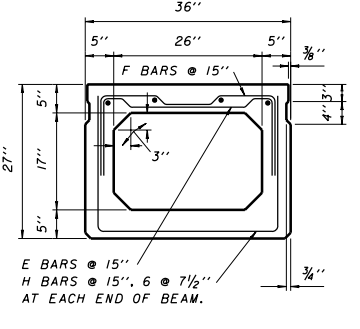
B12-36



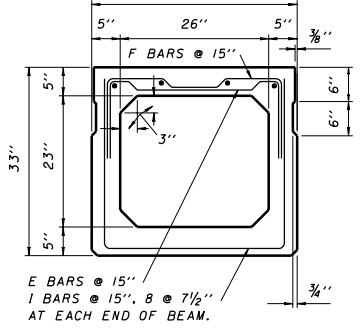
B17-36



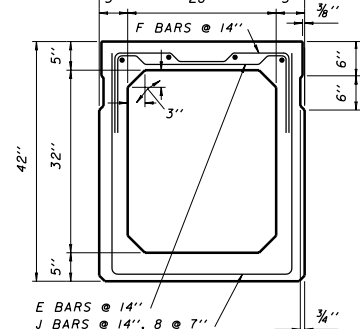
B21-36



B27-36

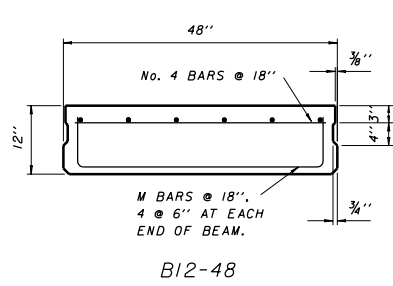


B33-36

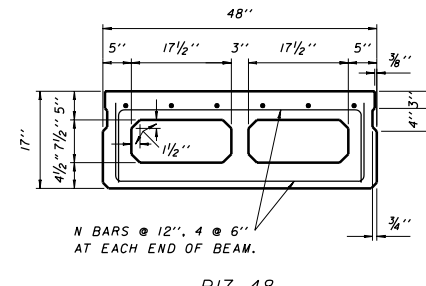


B42-36

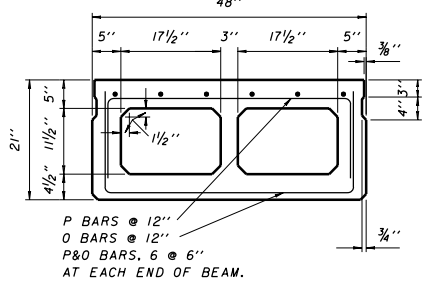
36" WIDE NON-COMPOSITE BEAMS



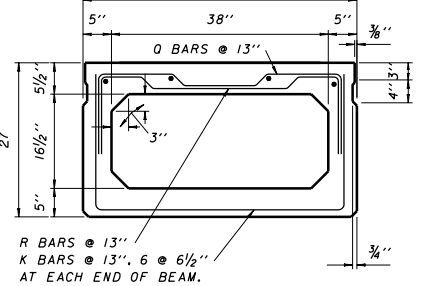
B12-48



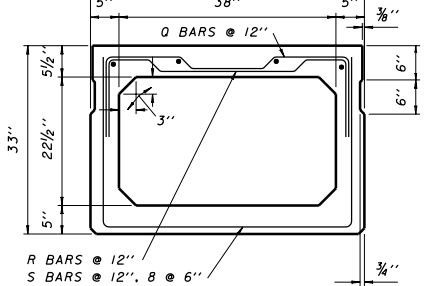
B17-48



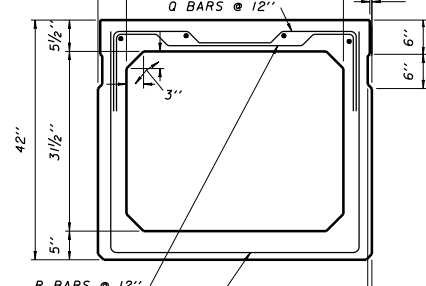
B21-48



B27-48

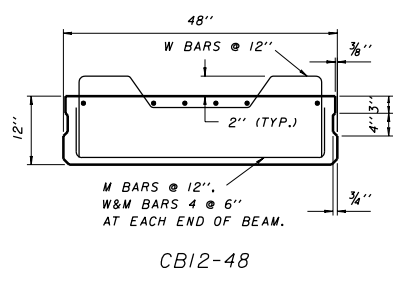


B33-48

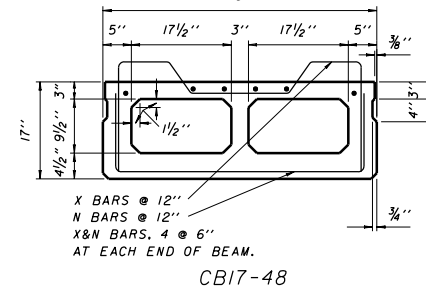


B42-48

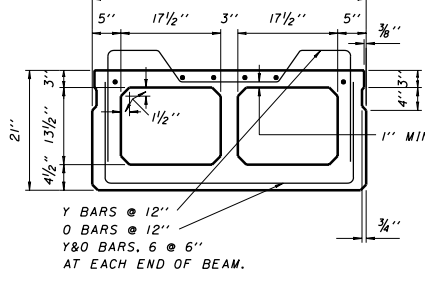
48" WIDE NON-COMPOSITE BEAMS



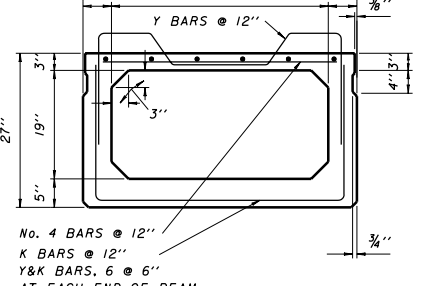
CB12-48



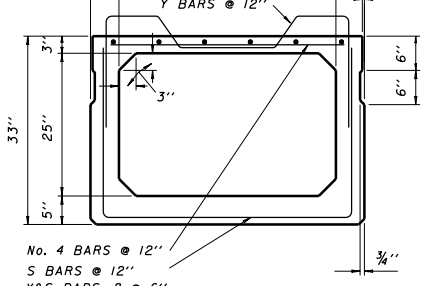
CB17-48



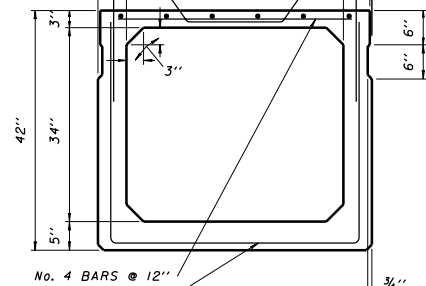
CB21-48



CB27-48



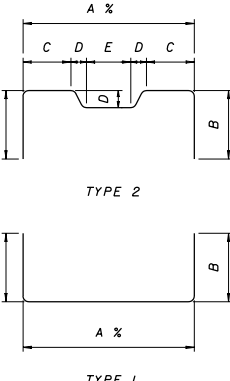
CB33-48



CB42-48

48" WIDE COMPOSITE BEAMS

BENT REINFORCING BARS					BENDING DIAGRAMS	
MARK	TYPE	A	B	C	D	E
A	1	31"	8"			
B	2	31"	13"	10"	1 1/2"	8"
C	2	31"	13"	4"	1 1/2"	20"
D	1	31"	13"			
E	2	31"	17"	4"	1 1/2"	20"
F	2	31"	17"	10"	1 1/2"	8"
G	1	31"	17"			
H	1	31"	23"			
I	1	31"	29"			
J	1	31"	38"			
K	1	43"	23"			
M	1	43"	8"			
N	1	43"	13"			
O	1	43"	17"			
P	1	43"	17"			
Q	2	43"	17"	13"	2"	13"
R	2	43"	17"	7"	2"	25"
S	1	43"	29"			
T	1	43"	38"			
W	2	43"	10"	9"	4"	17"
X	2	43"	17"	9"	4"	17"
Y	2	43"	21"	9"	4"	17"
WW	2	31"	12"	6"	4"	11"
XX	2	31"	17"	6"	4"	11"
YY	2	31"	21"	6"	4"	11"



NOTE: ALL BARS ARE #4

NOTE:  
ALTERNATE TOP STIRRUPS TO LAP BOTTOM STIRRUPS AT EACH END OF BEAM WHERE TWO TYPES OF TOP STIRRUPS ARE PROVIDED.  
36" WIDE COMPOSITE BEAMS ARE SHOWN ON SHEET 4 OF 4.  
MINIMUM TOP LONGITUDINAL REINFORCING STEEL  
36" WIDE NON-COMPOSITE & COMPOSITE BEAMS: 4-No. 5 BARS.  
48" WIDE NON-COMPOSITE BEAMS: B12 THRU B21, 6-No. 4 BARS  
B27 THRU B42, 4-No. 5 BARS  
48" WIDE COMPOSITE BEAMS: 6-No. 4 BARS  
SEE PROJECT PLANS FOR ANY ADDITIONAL LONGITUDINAL REINFORCING STEEL BARS REQUIRED.  
FABRICATOR'S SHOP DRAWINGS SHALL SHOW COMPLETE DETAILS OF BEAM REINFORCING.