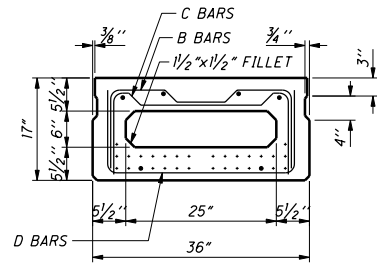


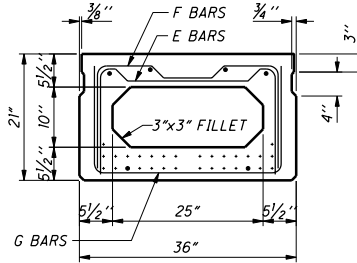
B12-36

(STRAND PATTERN TYPICAL FOR ALL 36" WIDE BEAMS)

* - TWO BOTTOM REINFORCING BARS (NO. 5 FULL LENGTH) SHALL BE LOCATED AS SHOWN. IF NECESSARY, A LAP OF 3'-3" SHALL BE LOCATED WITHIN THE OUTER QUARTER OF THE SPAN.

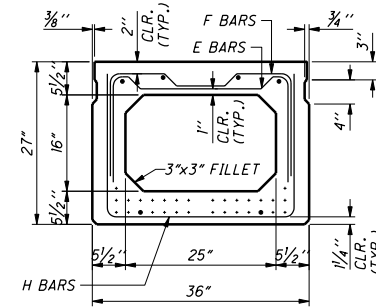


B17-36

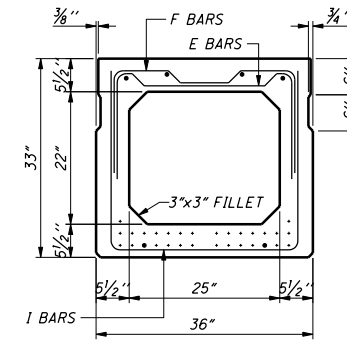


B21-36

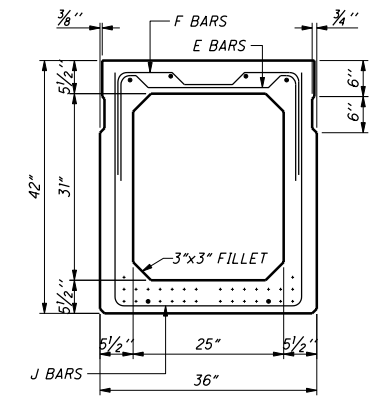
36" WIDE NON-COMPOSITE BEAMS



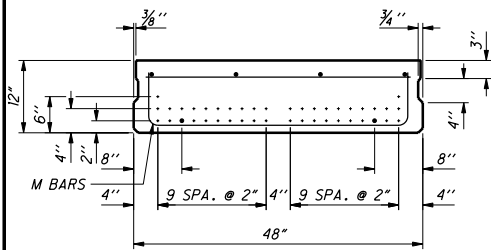
B27-36



B33-36

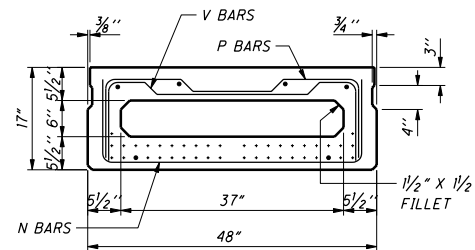


B42-36

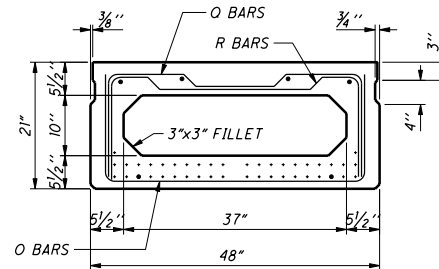


B12-48

(STRAND PATTERN TYPICAL FOR ALL 48" WIDE BEAMS)

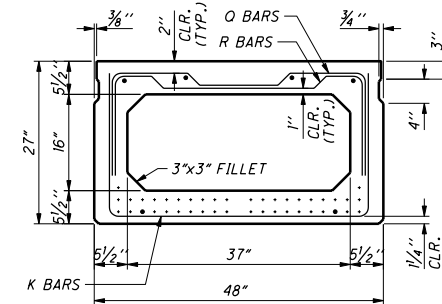


B17-48

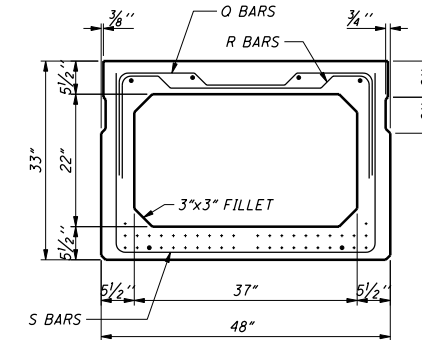


B21-48

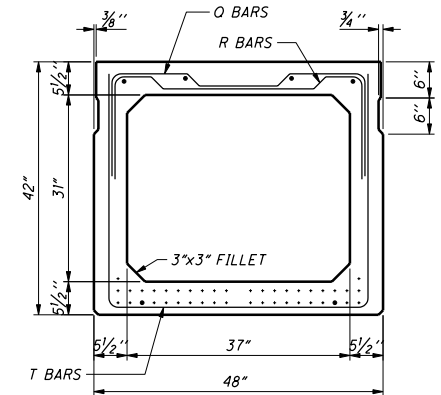
48" WIDE NON-COMPOSITE BEAMS



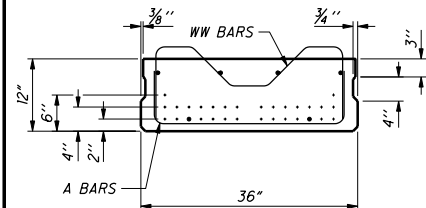
B27-48



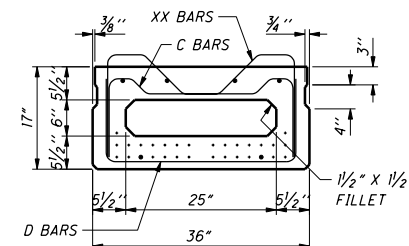
B33-48



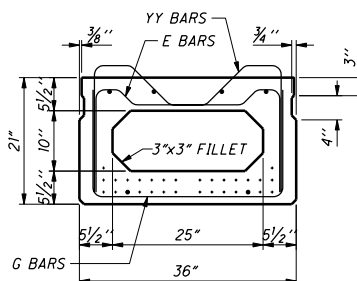
B42-48



CB12-36

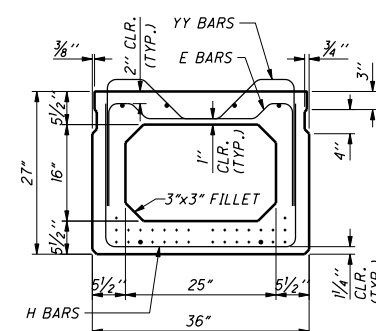


CB17-36

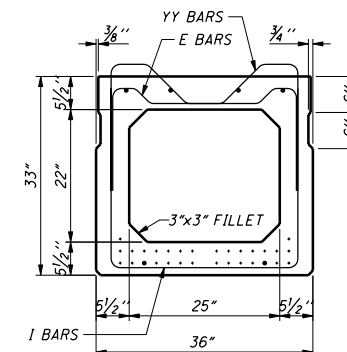


CB21-36

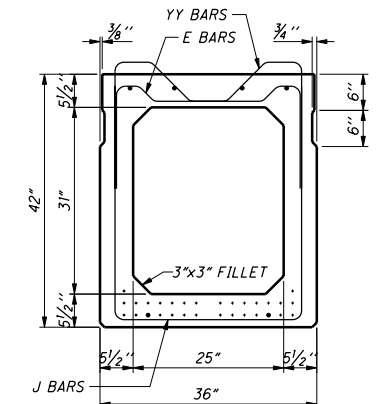
36" WIDE COMPOSITE BEAMS



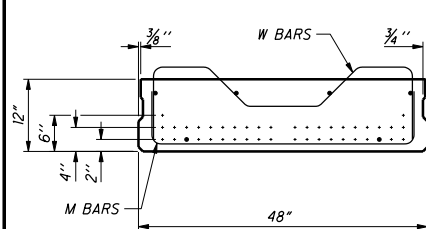
CB27-36



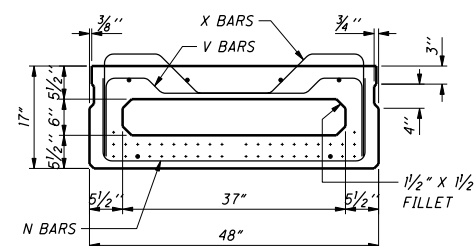
CB33-36



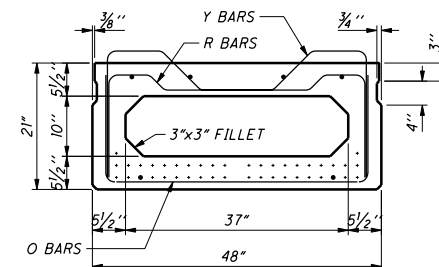
CB42-36



CB12-48

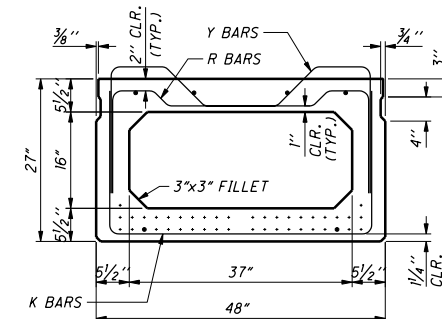


CB17-48

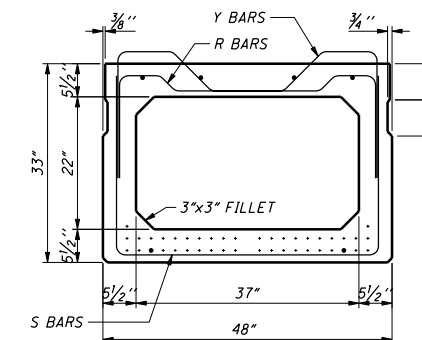


CB21-48

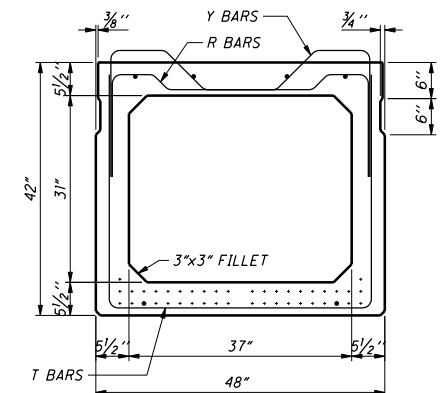
48" WIDE COMPOSITE BEAMS



CB27-48



CB33-48



CB42-48

- NOTES:
- STRANDS SHALL BE PLACED AS SHOWN AND SHALL BE DISTRIBUTED SYMMETRICALLY OVER THE BEAM WIDTH. STRAND PATTERN AND THE DEBOND LENGTH SHALL BE SYMMETRICAL ABOUT THE VERTICAL C OF THE BEAM. DEBONDED STRANDS SHALL BE IN THE BOTTOM LAYER.
 - ALTERNATE TOP STIRRUPS TO LAP BOTTOM STIRRUPS AT EACH END OF BEAM WHERE TWO TYPES OF TOP STIRRUPS ARE PROVIDED.
 - THE MINIMUM TOP LONGITUDINAL REINFORCING STEEL SHALL BE 4-NO. 5 BARS. SEE PROJECT PLANS FOR ADDITIONAL REQUIREMENTS.

- NOTES: (CONTINUED)
- FABRICATOR'S SHOP DRAWINGS SHALL SHOW COMPLETE DETAILS OF BEAM REINFORCING.
 - SEE SHEET 4 OF 4 FOR REINFORCEMENT DETAILS, BENDING DIAGRAMS, AND BEAM SECTION PROPERTIES.